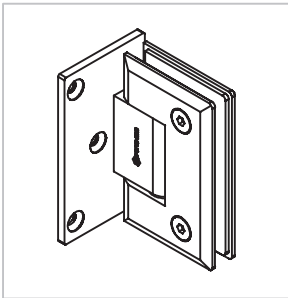
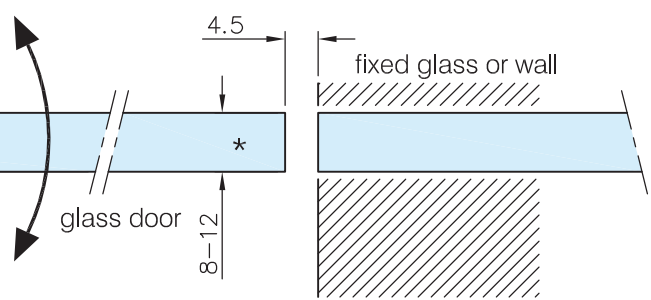
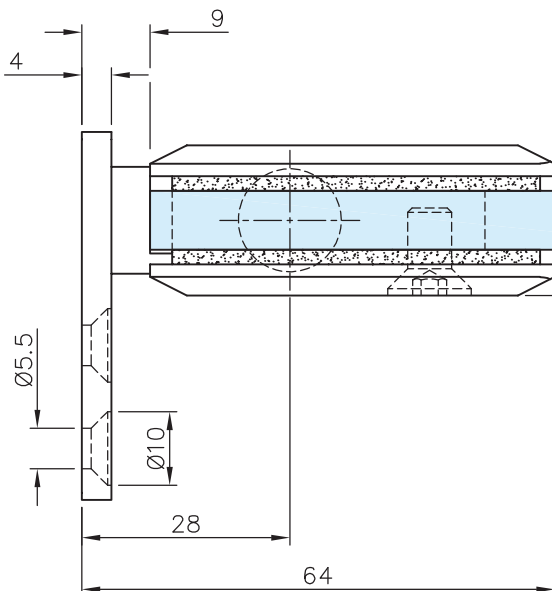
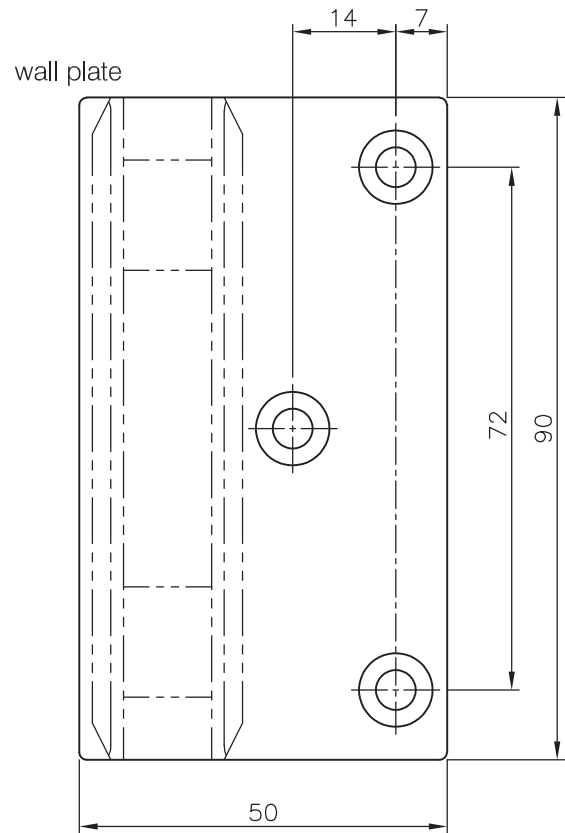
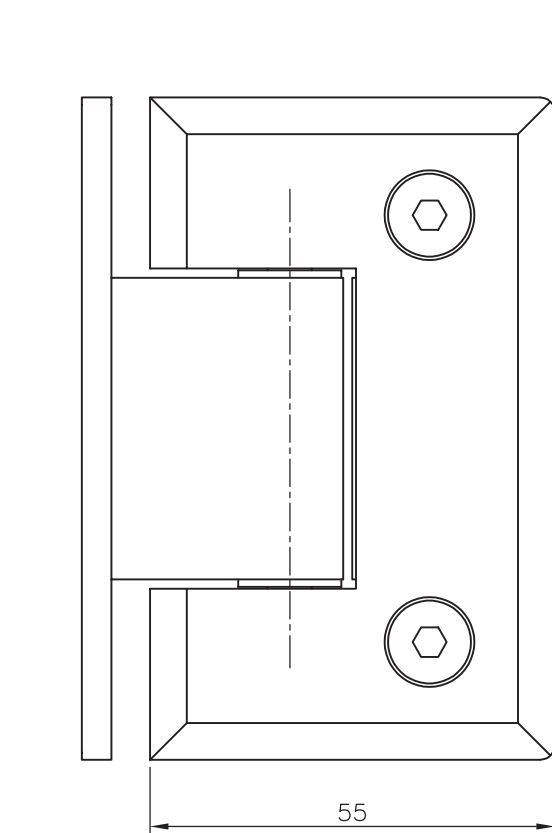


Glass Door Hinge - Glass/Wall Fixing - Flush Mount

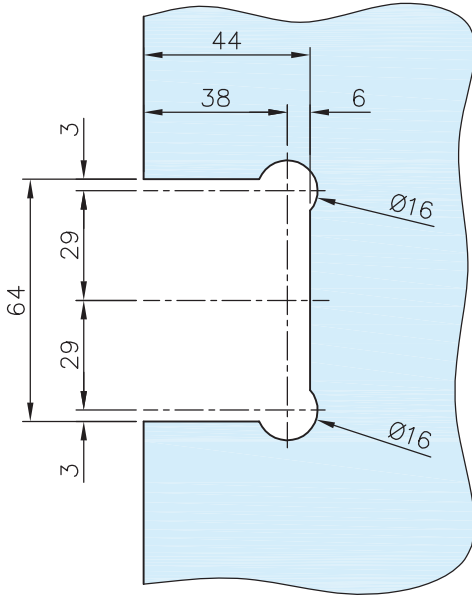


Options:	8 mm - 12mm	900 mm max.	45 kg max.
Material:	Stainless steel AISI 304	Weight:	0,6 kg
Finish:	Stainless steel design 41.3112.090.12	Chrome design	41.3112.090.10

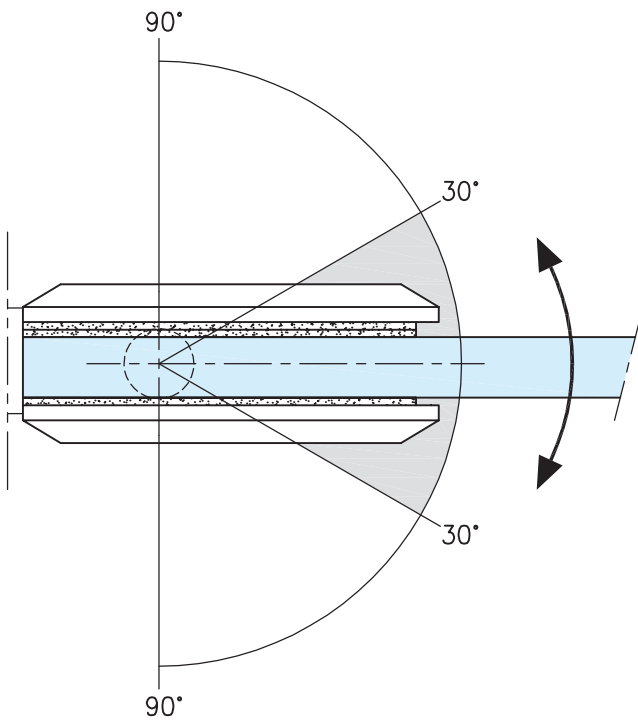


*drawing shows 8mm glass without PVC seals

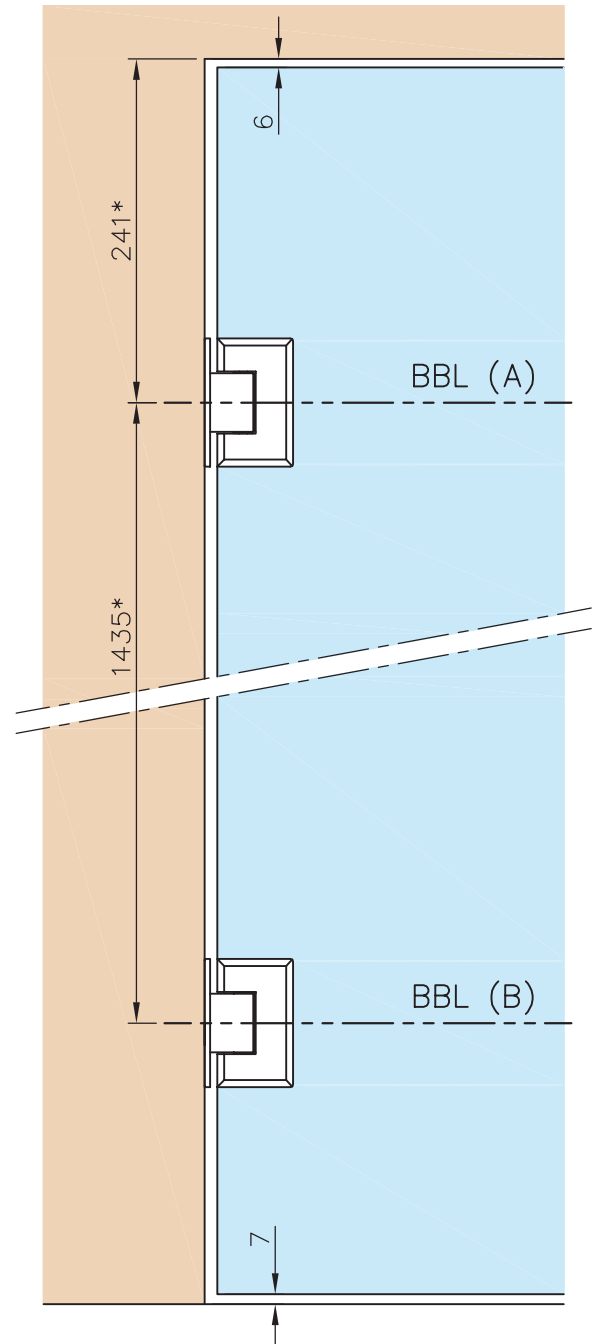
Glass Door Hinge - Glass/Wall Fixing - Flush Mount



glass cutout



automatic closing action from 30°



Recommended dimensions according to *DIN 18268		
Glass door height	distance frame rebate - BBL(A)	distance BBL(A) - BBL(B)
1860 mm - 2110 mm	241 +1 mm	1435 mm ±0,5 mm
2111 mm - 2235 mm	241 +1 mm	1560 mm ±0,5 mm
2236 mm - 2360 mm	241 +1 mm	1685 mm ±0,5 mm

Glass Door Hinge - Glass/Wall Fixing - Flush Mount

Width/extension:

max. load weights and door width

