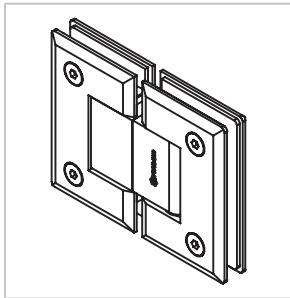
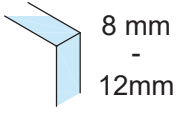
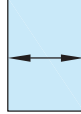

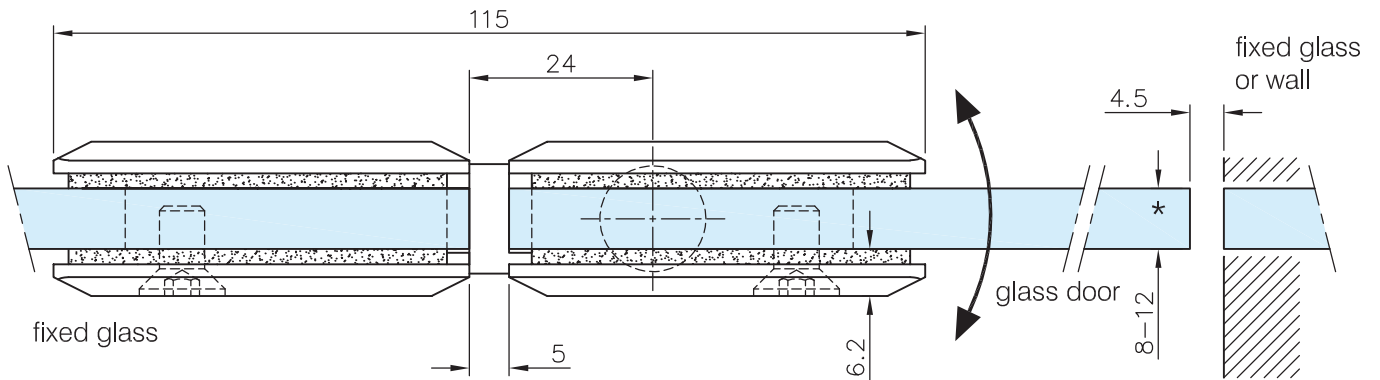
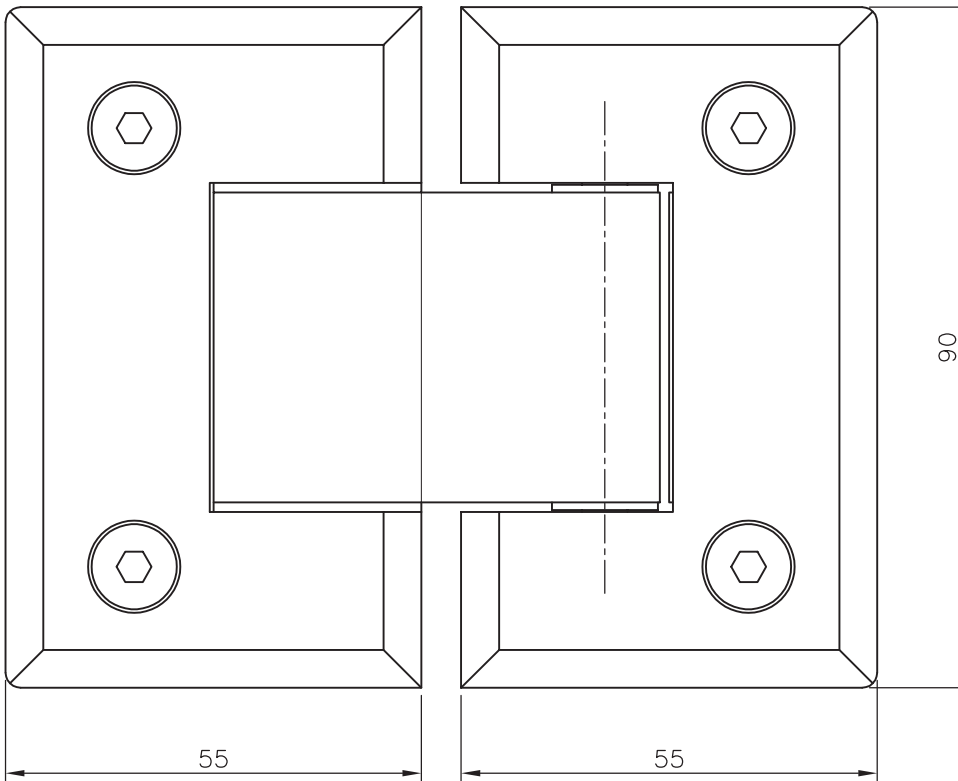


Glass Door Hinge - Glass/Glass Fixing

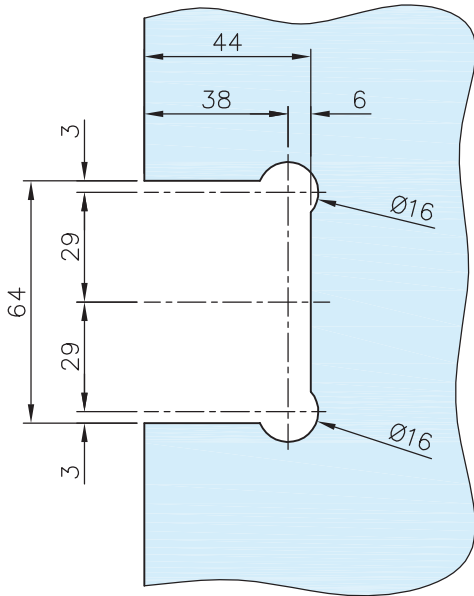


Options:	 8 mm - 12mm	 900 mm max.	 45 kg max.
Material:	Stainless steel AISI 304	Weight:	0,75 kg
Finish:	Stainless steel design 41.3212.180.12	Chrome design 41.3212.180.10	

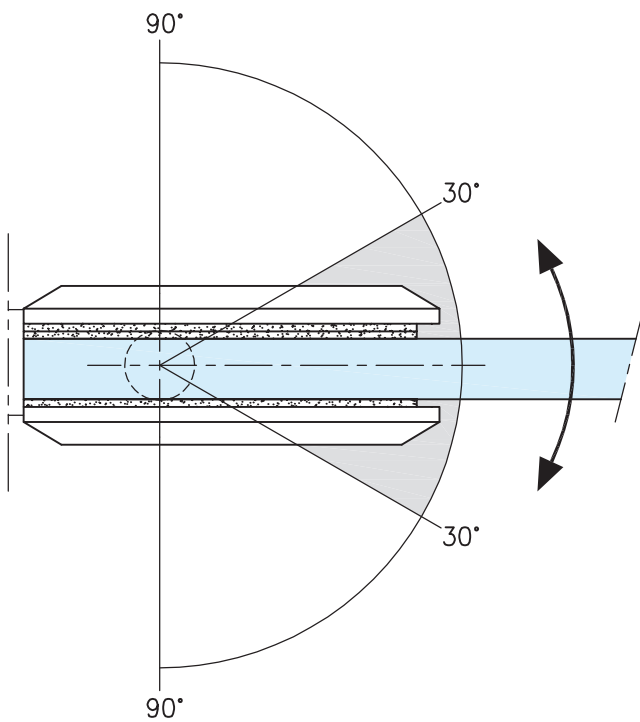


* drawing shows 8mm glass without PVC seals

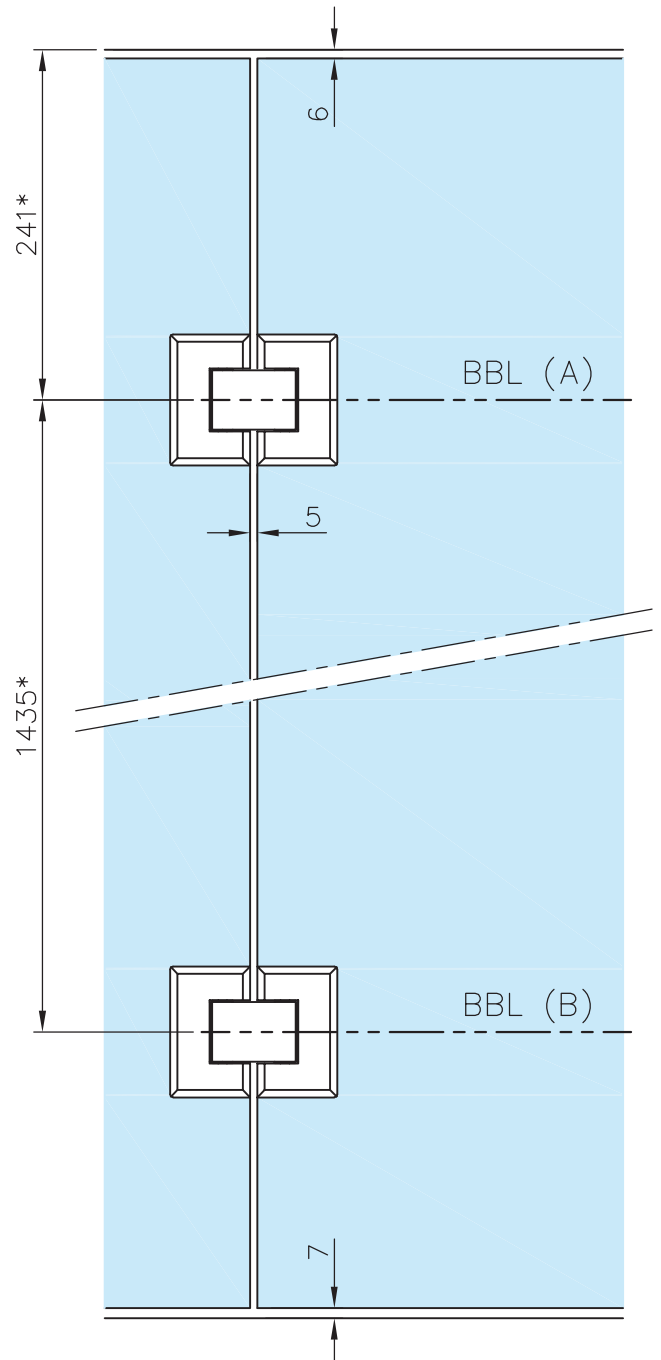
Glass Door Hinge - Glass/Glass Fixing



glass cutout (same cutout for fixed glass panel)



automatic closing action from 30°



Recommended dimensions according to *DIN 18268		
Glass door height	distance frame rebate - BBL(A)	distance BBL(A) - BBL(B)
1860 mm - 2110 mm	241 +1 mm	1435 mm $\pm 0,5$ mm
2111 mm - 2235 mm	241 +1 mm	1560 mm $\pm 0,5$ mm
2236 mm - 2360 mm	241 +1 mm	1685 mm $\pm 0,5$ mm

Glass Door Hinge - Glass/Glass Fixing

Width/extension:

max. load weights and door width

