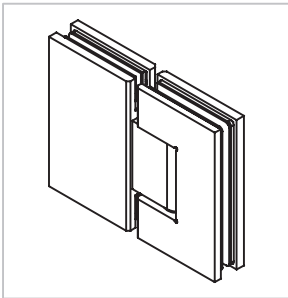
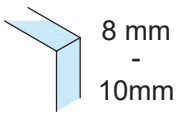
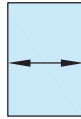

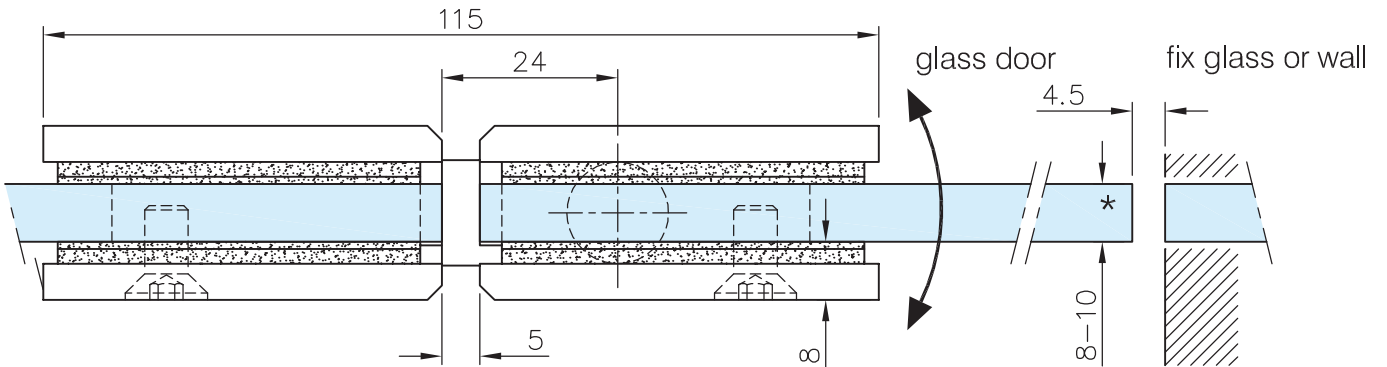
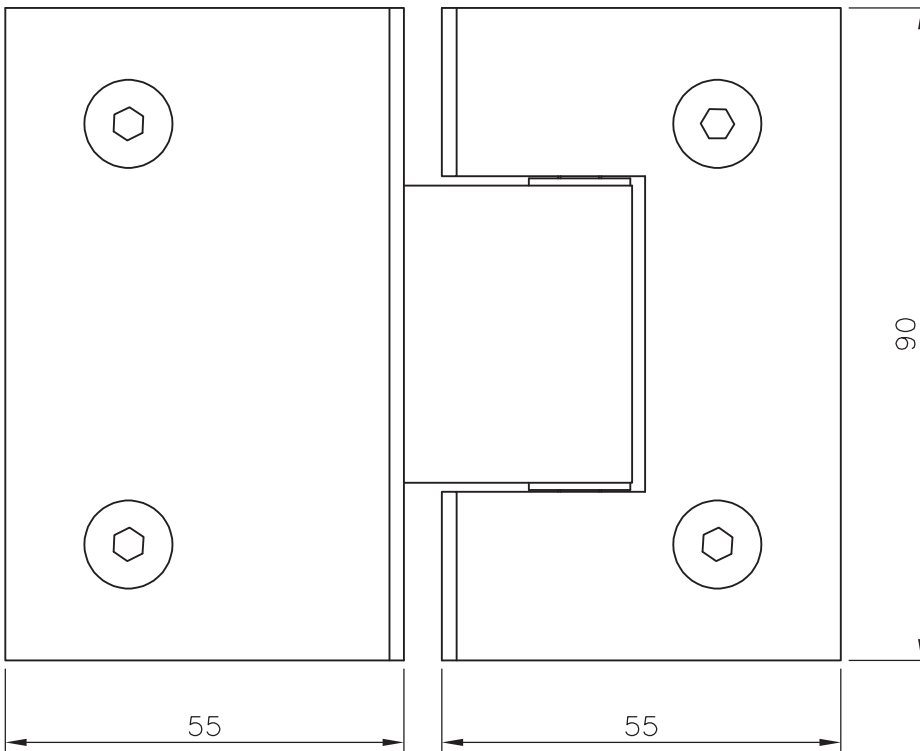


Glass Door Hinge - Glass/Glass Mount - Matt Brass Design



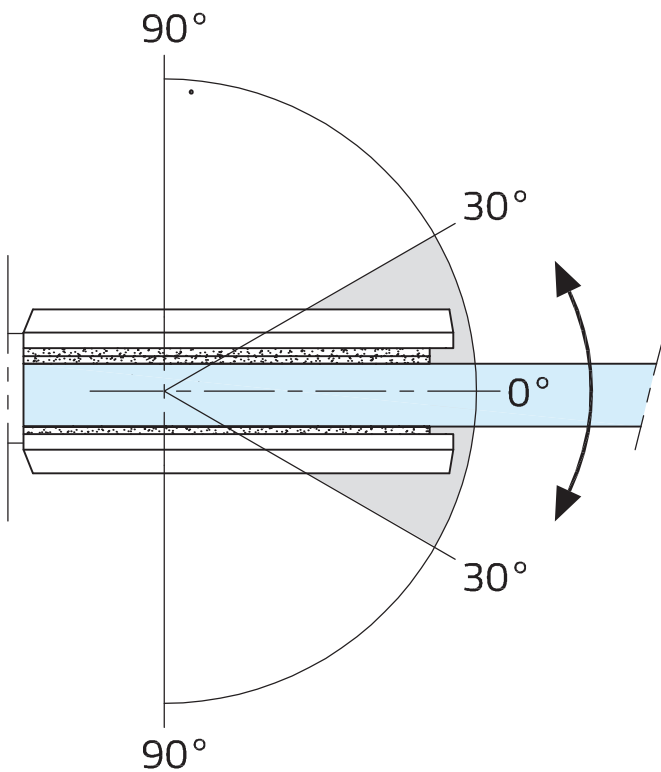
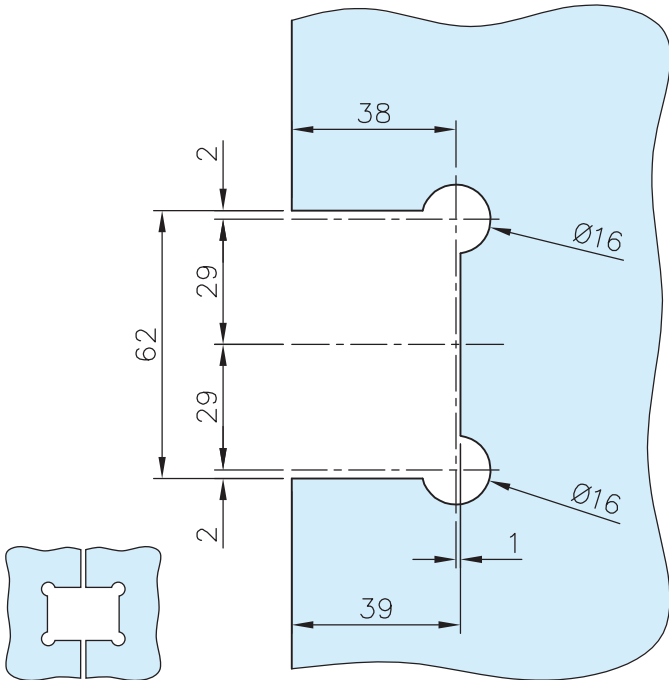
Options:	 8 mm - 10mm	 900 mm max.	 45 kg max.
Material:	Stainless steel AISI 304	Weight:	0,75 kg
Finish:	Matt brass design 41.3212.180.21		



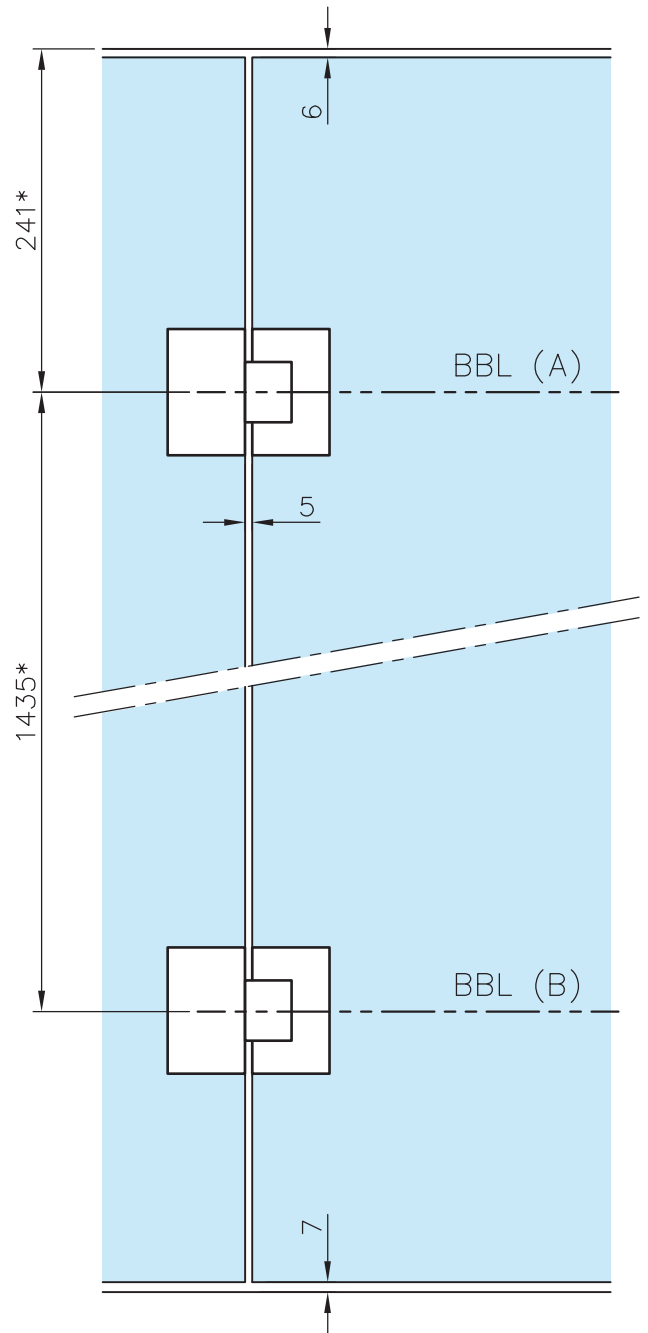
*drawing shows 8mm glass without PVC seals

Glass Door Hinge - Glass/Glass Mount - Matt Brass Design

glass cutout (same cutout for fixed glass panel)



automatic closing action from 30°



Recommended dimensions according to *DIN 18268		
Glass door height	distance frame rebate - BBL(A)	distance BBL(A) - BBL(B)
1860 mm - 2110 mm	241 +1 mm	1435 mm ±0,5 mm
2111 mm - 2235 mm	241 +1 mm	1560 mm ±0,5 mm
2236 mm - 2360 mm	241 +1 mm	1685 mm ±0,5 mm

Glass Door Hinge - Glass/Glass Mount - Matt Brass Design

Width/extension:

max. load weights and door width

