

Glass to Glass Door Hinge - Hydraulic Soft Close Function



41.4512.180.12



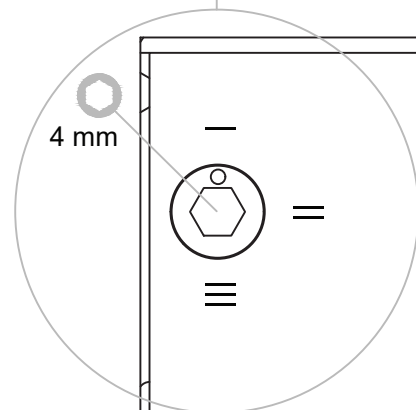
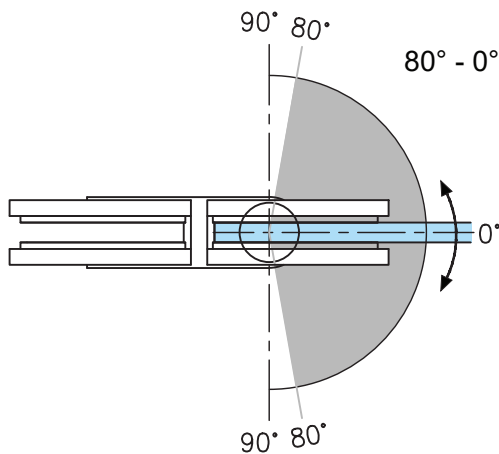
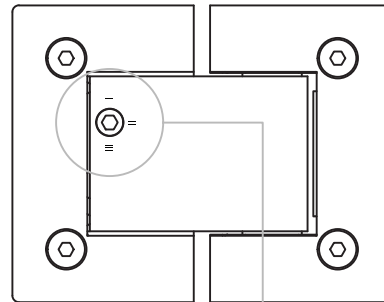
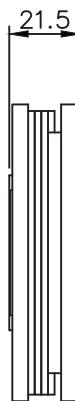
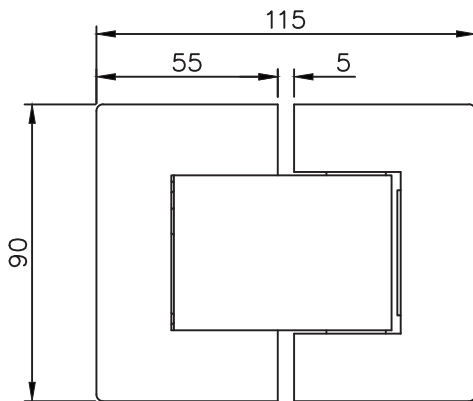
41.4512.180.26

Options: 8 mm - 10mm 1000 mm max. 2000 mm max. 45 kg max. DIN left + DIN right

Material: Stainless steel AISI 304

Weight: 1,26 kg

Finish: Stainless steel design or Anthracite design

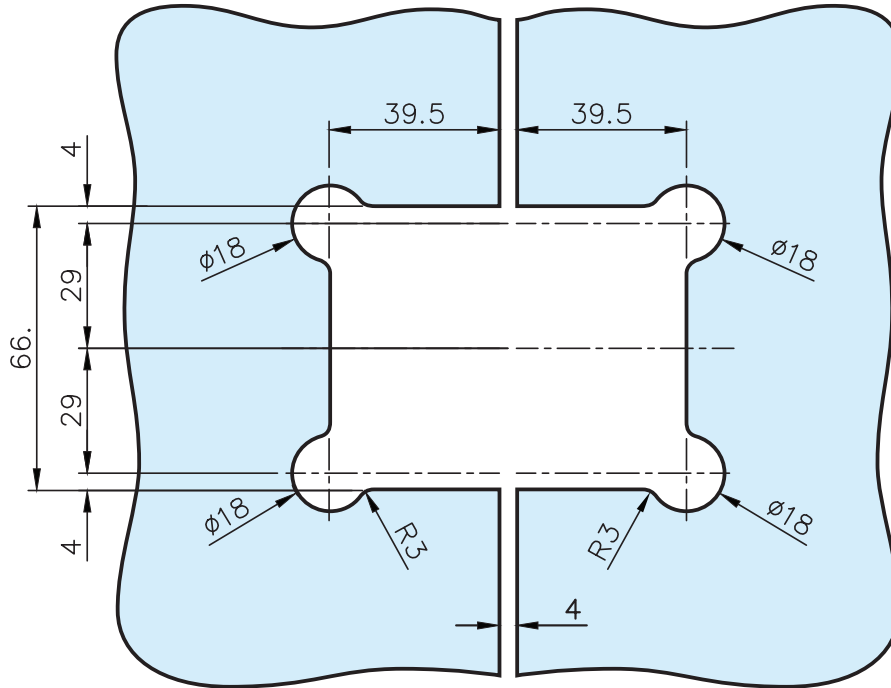


Glass to Glass Door Hinge - Hydraulic Soft Close Function

41.4512.180.12

41.4512.180.26

Glass Preparation:



Assembly:

