

## Glass Door Hinge - Hydraulic Soft Close Function



**41.4512.090.12**



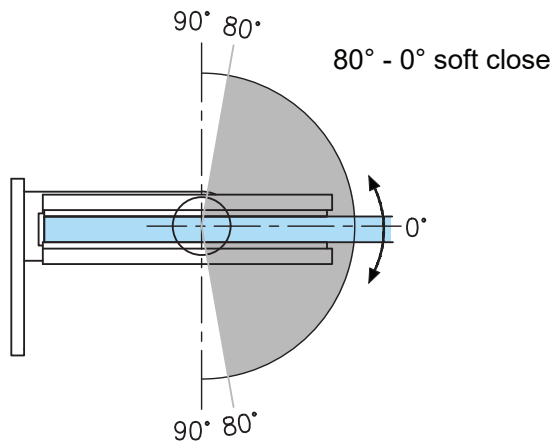
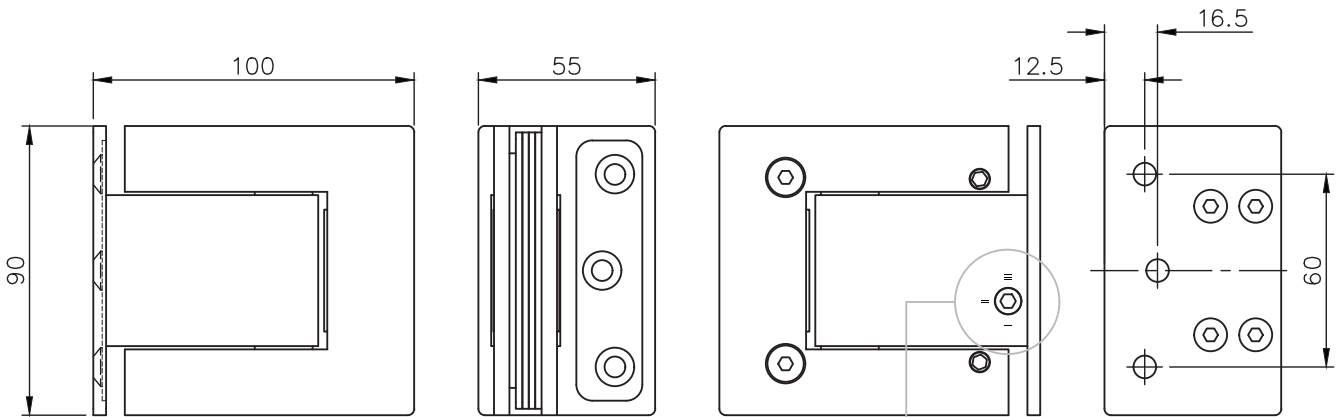
**41.4512.090.26**

Options: 8 mm - 10mm 1000 mm max. 2000 mm max. 45 kg max. DIN left + DIN right

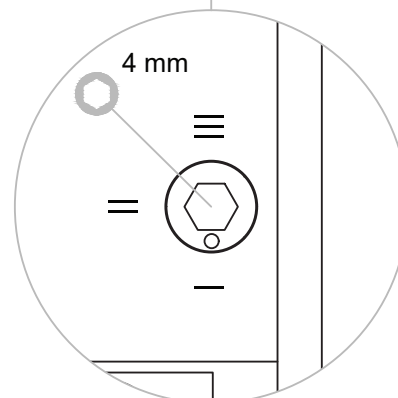
Material: Stainless steel AISI 304

Weight: 1,26 kg

Finish: Stainless steel design or Anthracite design



85° - 90° Hold-open function

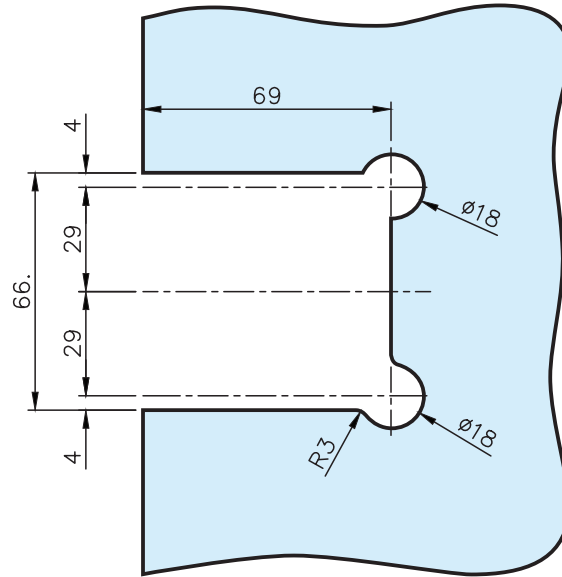


power adjustment

## Glass Door Hinge - Hydraulic Soft Close Function

**41.4512.090.12**  
**41.4512.090.26**

Glass Preparation:



Assembly:

