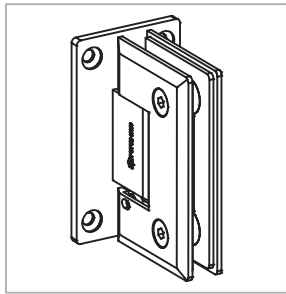
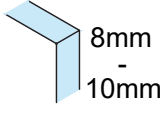

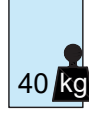
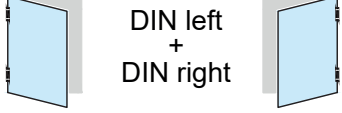
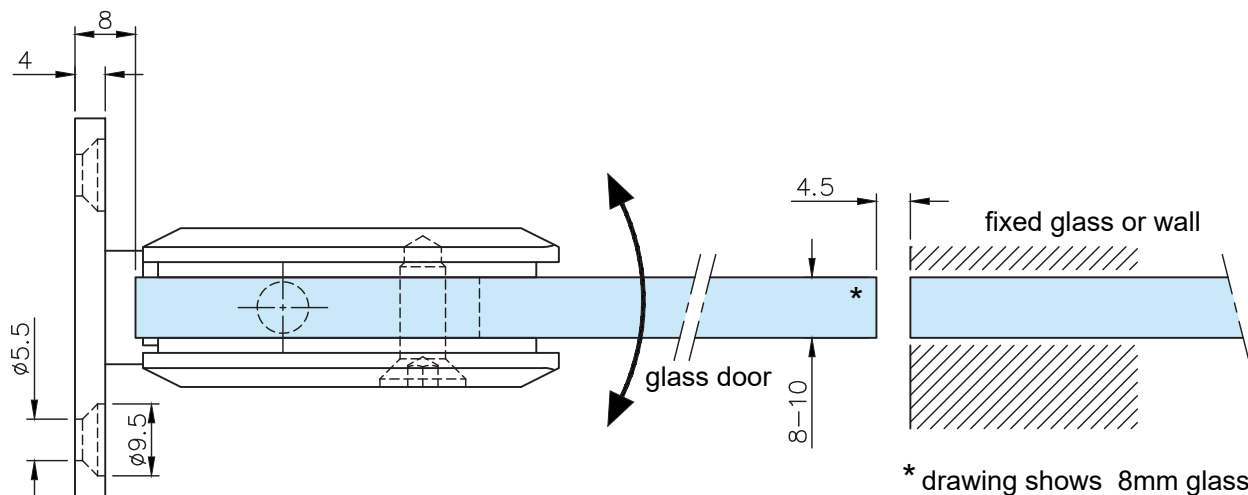
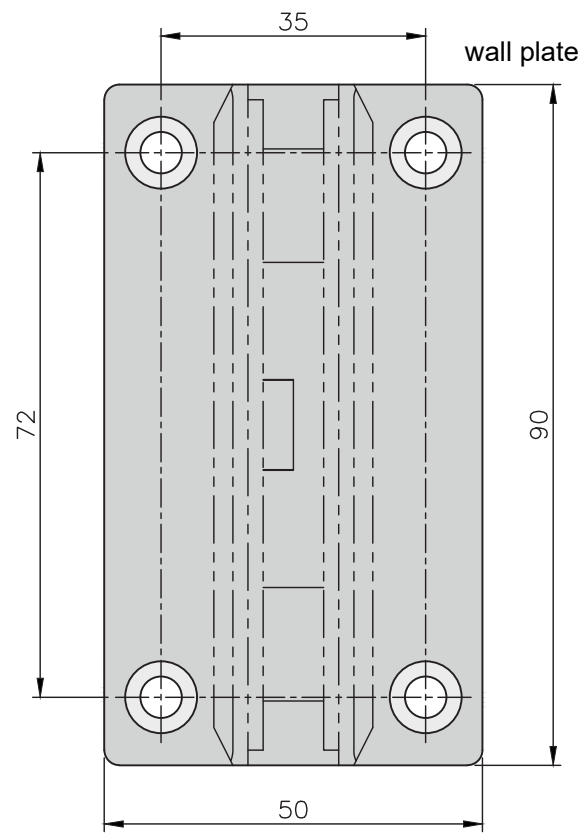
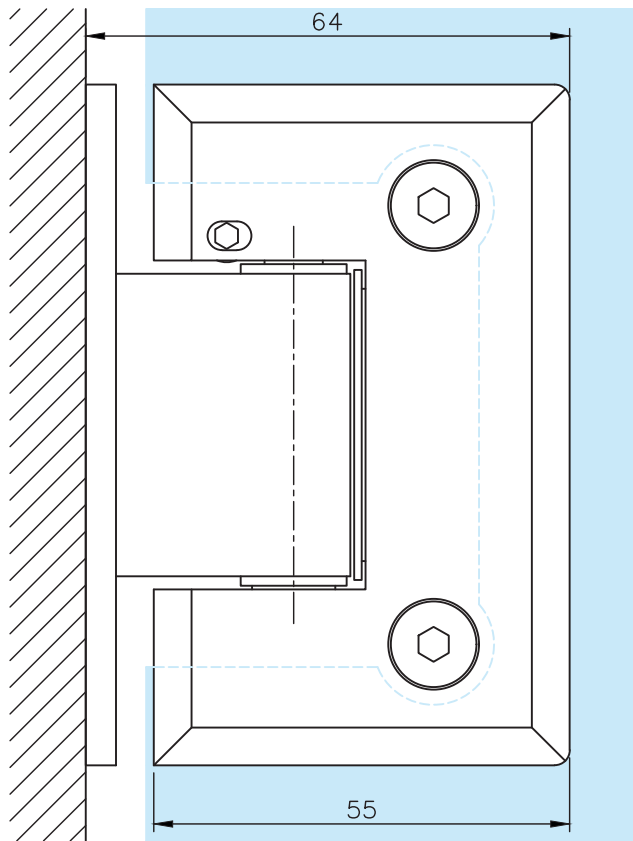


## Glass Door Hinge - Wall to Glass Mount - Adjustable Closing



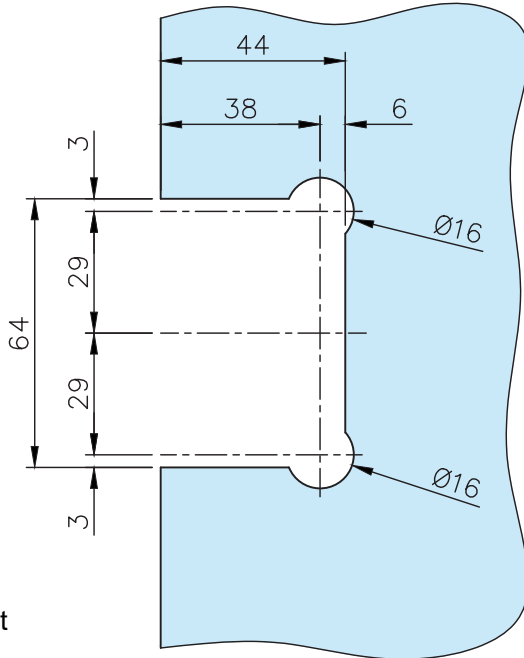
Options:	 8mm - 10mm	 900 mm max.	 40 kg max.	 DIN left + DIN right
Material:	Stainless steel AISI 304		Weight:	0.58kg
Finish:	Stainless steel design 41.6012.090.12	Chrome design 41.6012.090.10	Anthracite black design 41.6012.090.26	



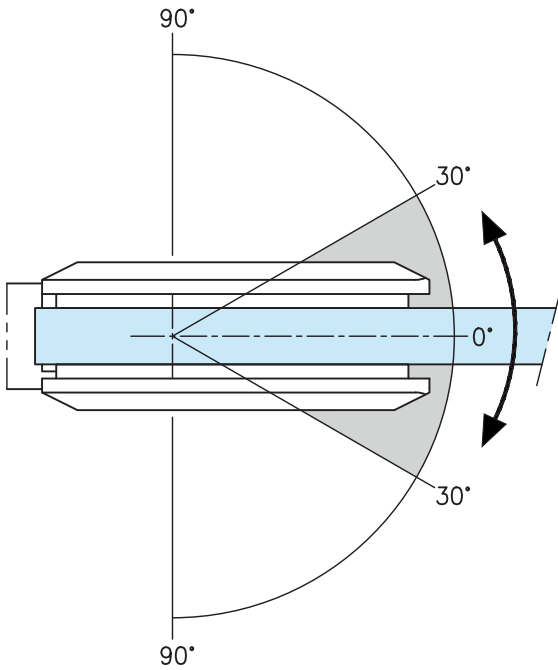
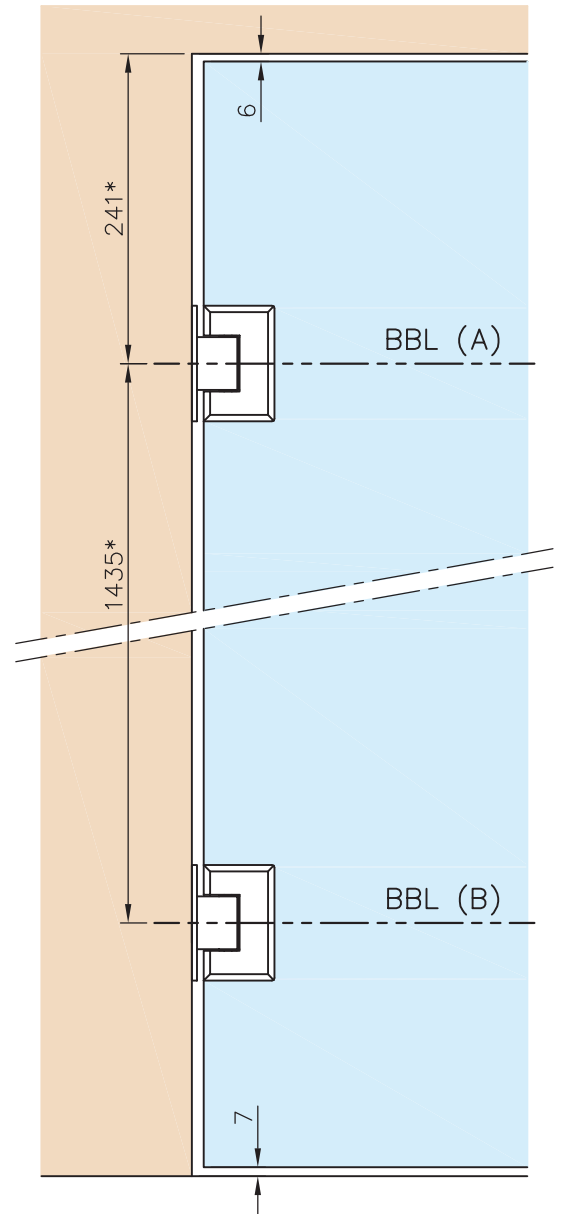
\* drawing shows 8mm glass without PVC seals

## Glass Door Hinge - Wall to Glass Mount - Adjustable Closing

Glass preparation:



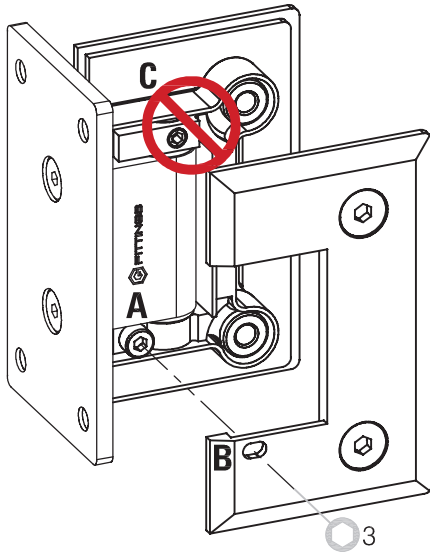
glass cutout



automatic closing action from 30°  
"Zero point" (0° - closing) adjustable

Recommended dimensions according to *DIN 18268		
Glass door height	distance frame rebate - BBL(A)	distance BBL(A) - BBL(B)
1860 mm - 2110 mm	241 +1 mm	1435 mm $\pm 0,5$ mm
2111 mm - 2235 mm	241 +1 mm	1560 mm $\pm 0,5$ mm
2236 mm - 2360 mm	241 +1 mm	1685 mm $\pm 0,5$ mm

## Glass Door Hinge - Wall to Glass Mount - Adjustable Closing



**!** *Adjustment of the closed position (0-point):*  
 After mounting the glass door, the final position of the door can be adjusted. Loose the screw A (through the opening in the clamping plate B) and align the door as desired. Then tighten screw A again. The screw C shown above must not be loosened.

Width/extension:

