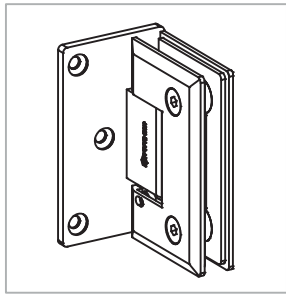
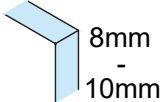
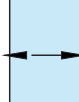
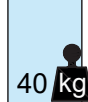
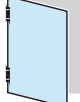


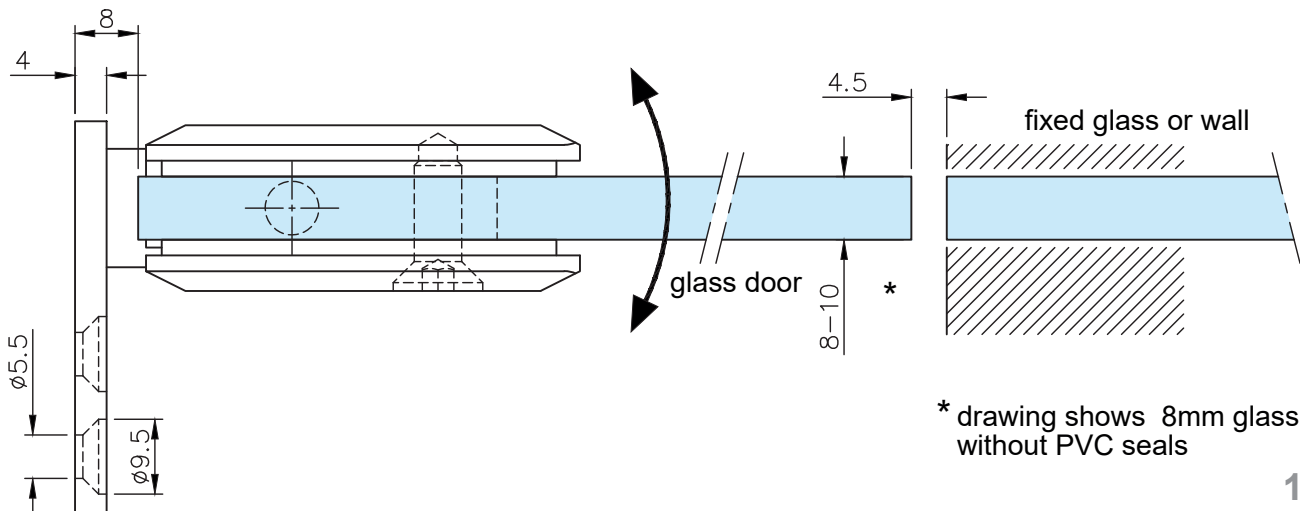
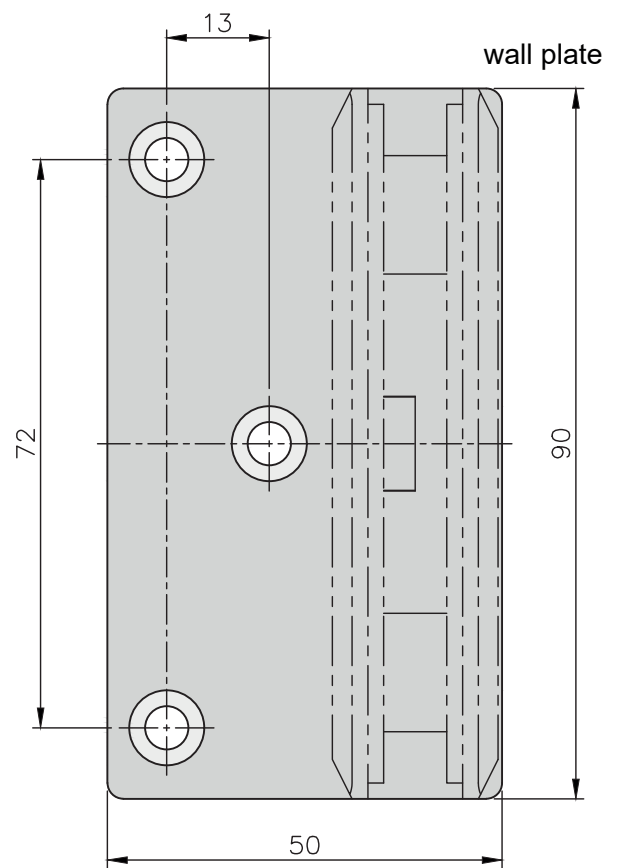
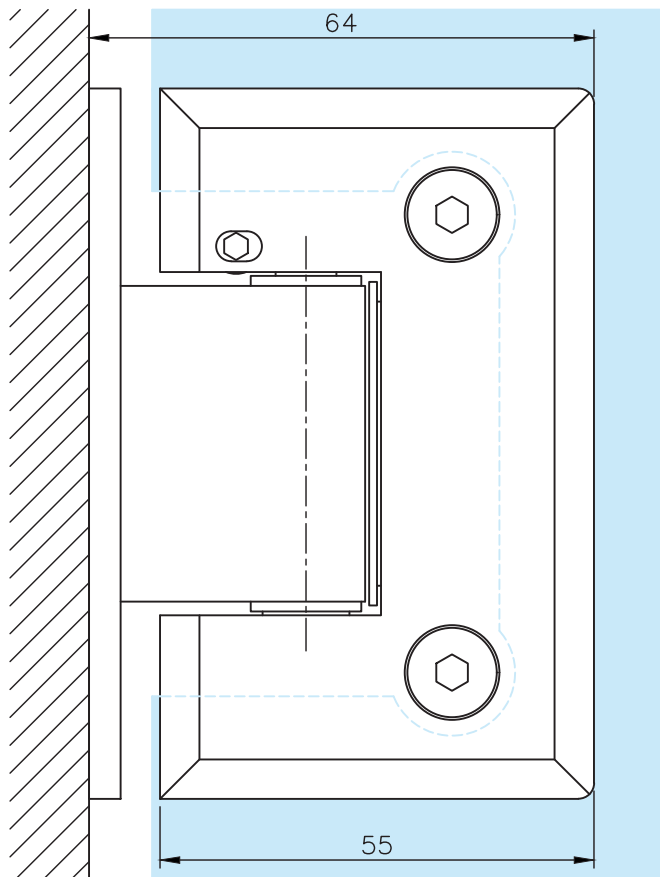
Glass Door Hinge - Flush Wall Mount - Adjustable Closing



Options:

			
---	---	--	---

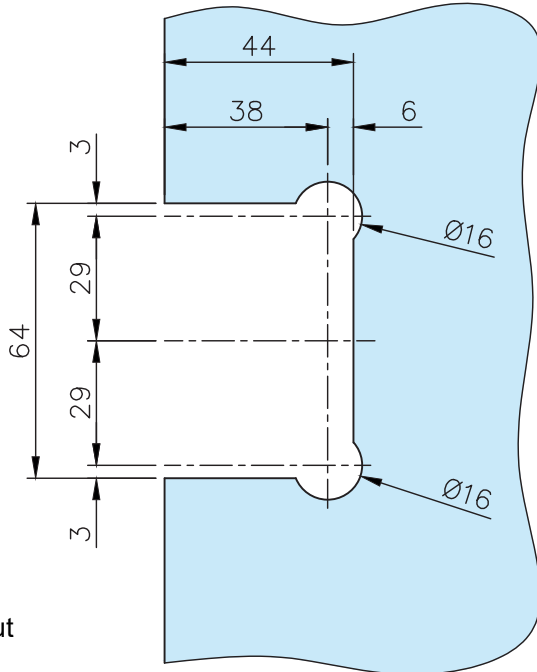
Material:	Stainless steel AISI 304		Weight:	0.58kg
Finish:	Stainless steel design 41.6112.090.12	Chrome design 41.6112.090.10	Anthracite black design 41.6112.090.26	



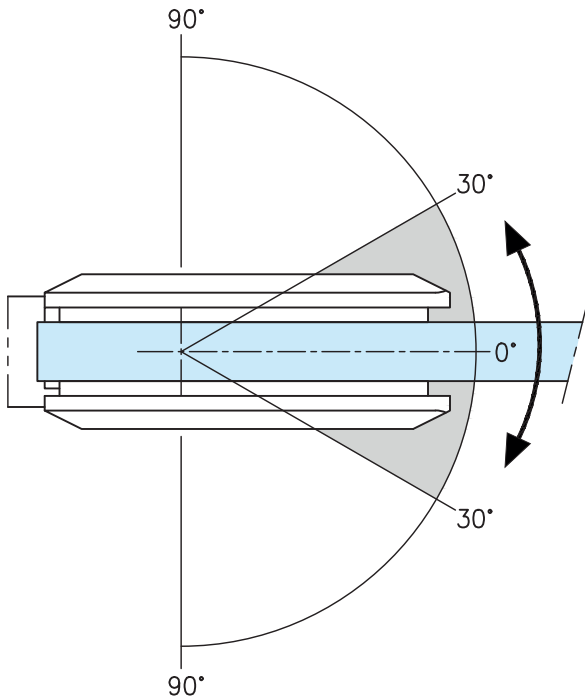
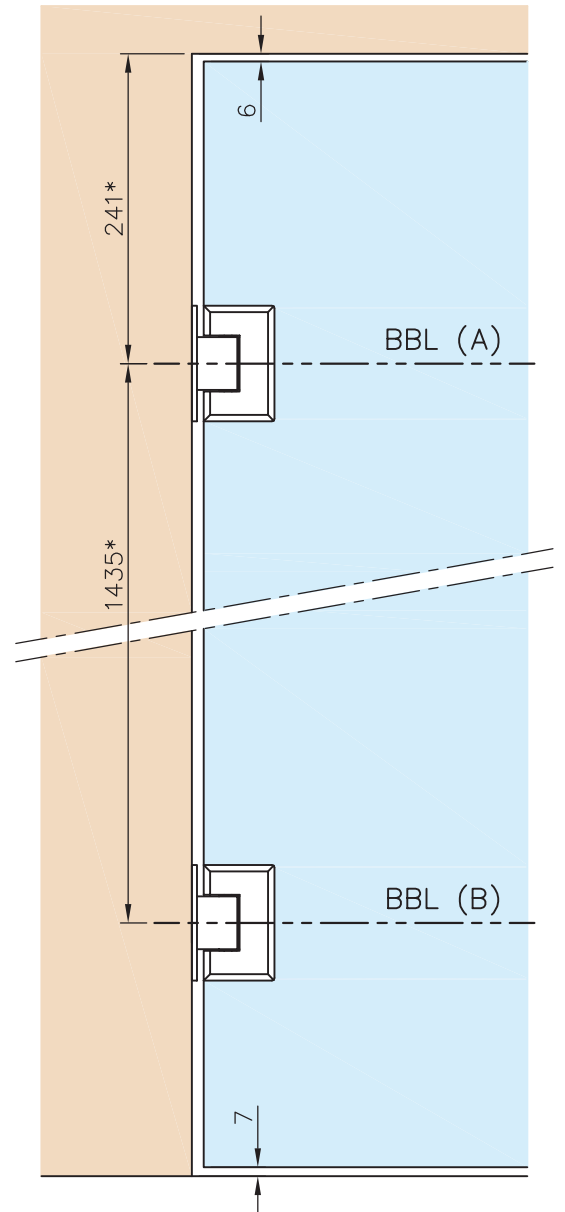
* drawing shows 8mm glass without PVC seals

Glass Door Hinge - Flush Wall Mount - Adjustable Closing

Glass preparation:



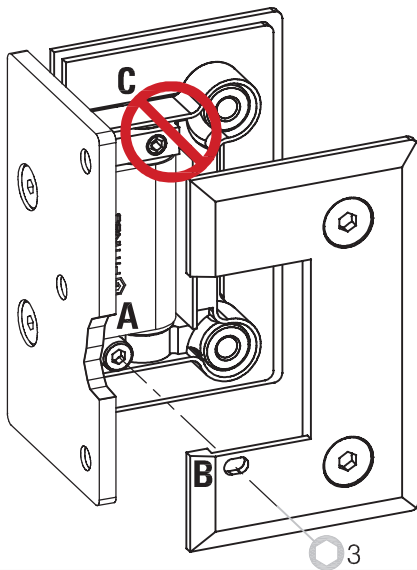
glass cutout



automatic closing action from 30°
"Zero point" (0° - closing) adjustable

Recommended dimensions according to *DIN 18268		
Glass door height	distance frame rebate - BBL(A)	distance BBL(A) - BBL(B)
1860 mm - 2110 mm	241 +1 mm	1435 mm ±0,5 mm
2111 mm - 2235 mm	241 +1 mm	1560 mm ±0,5 mm
2236 mm - 2360 mm	241 +1 mm	1685 mm ±0,5 mm

Glass Door Hinge - Flush Wall Mount - Adjustable Closing



! *Adjustment of the closed position (0-point):*
 After mounting the glass door, the final position of the door can be adjusted. Loose the screw A (through the opening in the clamping plate B) and align the door as desired. Then tighten screw A again.
 The screw C shown above must not be loosened.

Width/extension:

