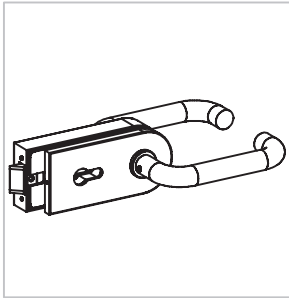
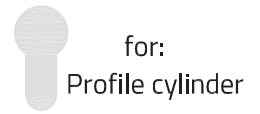
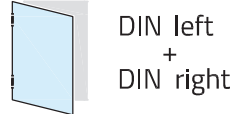
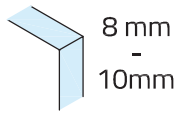


Glass Door Lock - D Shape - Lever Handle

45.2210.002.12



Options:

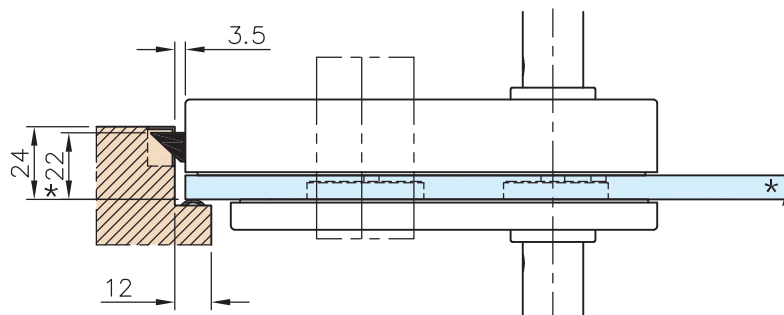
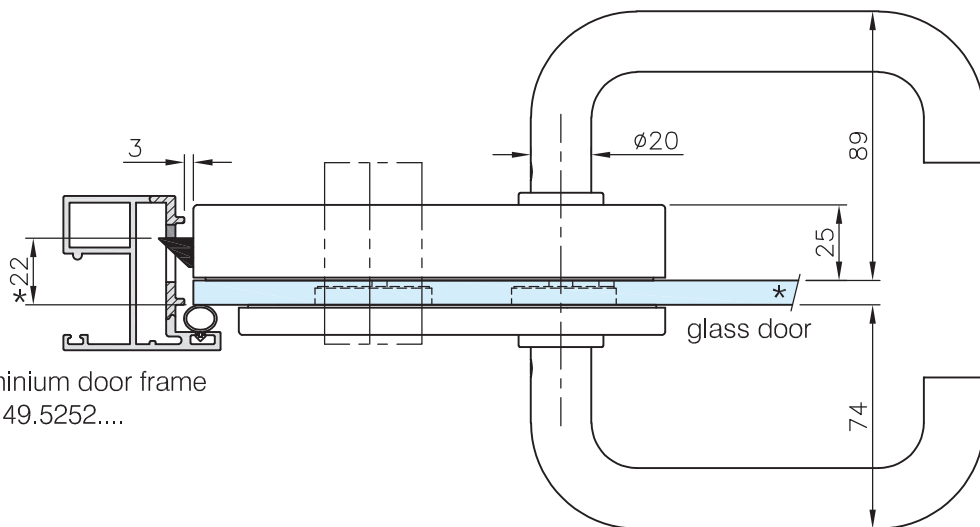
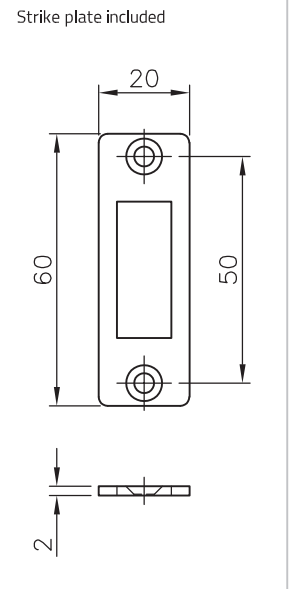
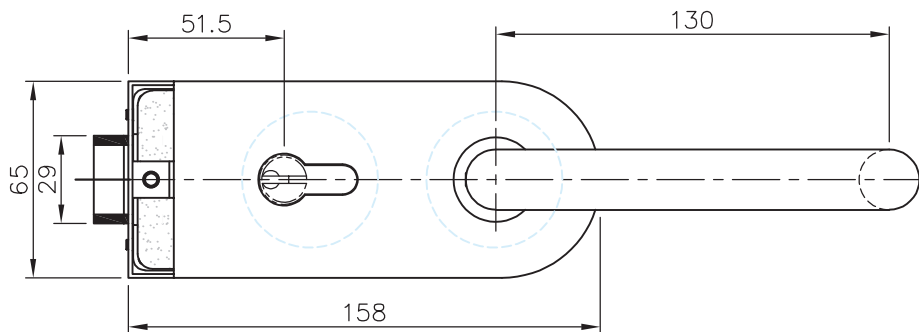


Material: Stainless steel AISI 304

Weight: 1,3 kg

Finish: Stainless steel design

Please Note: Glass doors will require professional drilling at manufacture stage.



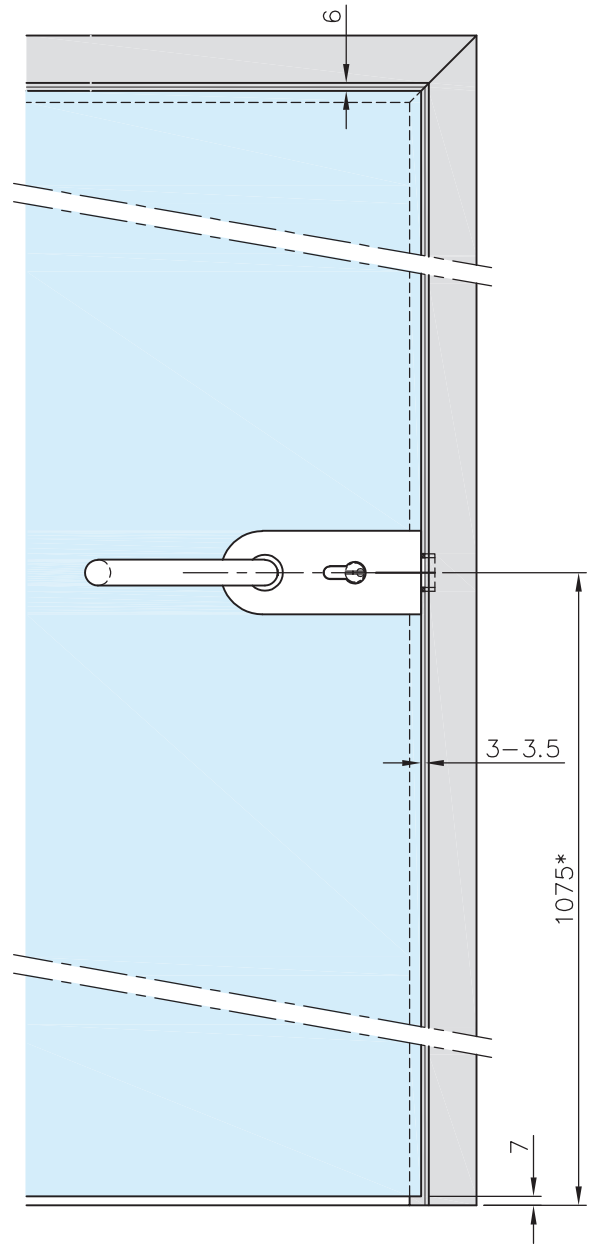
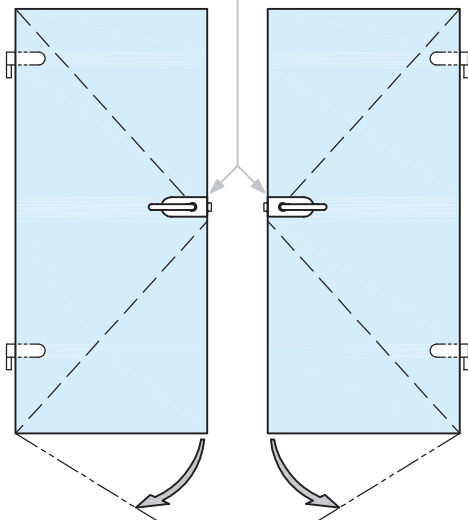
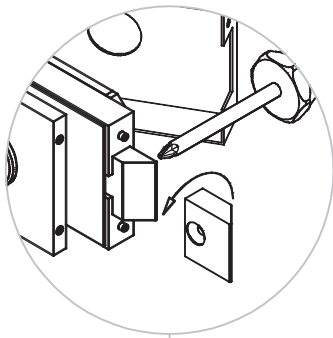
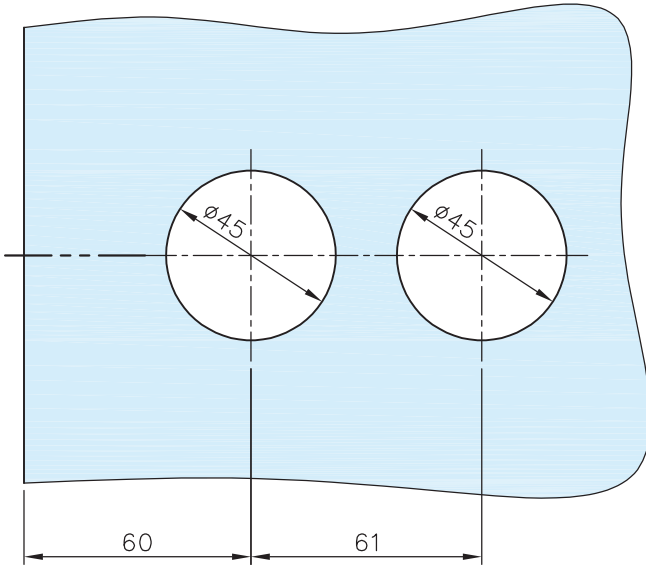
example wooden
door frame

*drawing shows
8mm glass

Glass Door Lock - D Shape - Lever Handle

45.2210.002.12

Glass preparation:



*Recommended door handle height

Glass Door Lock - D Shape - Lever Handle

45.2210.002.12

Detail aluminium frame:

