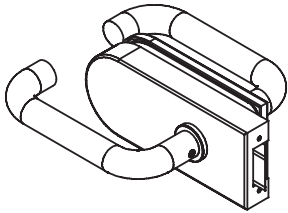


Glass Door Lock / Lever Handle Installation Example

Manual shows model 45.2210.002.xx - Left Hand Installation

Installation instructions for Glass Door Lock with Lever Handle, These instruction can be applied to the fitting of Door Latch with lever handle (Model 45.2210.001.xx)

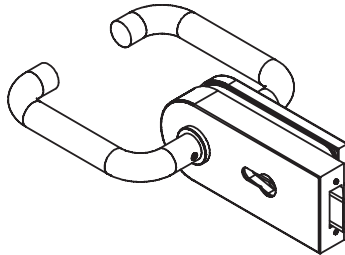
Options:



45.2210.001.xx

DIN LH + RH

Door Latch for Glass
D Shape with
Lever Handle



45.2210.002.xx

DIN LH + RH

Glass Door Lock
D Shape Back Plate
and Lever Handle



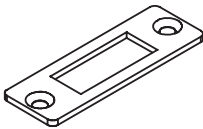
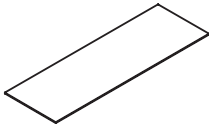


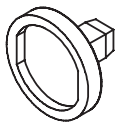
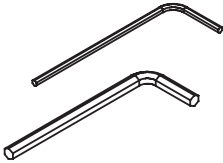

45.2212.000.xx

DIN LH + RH

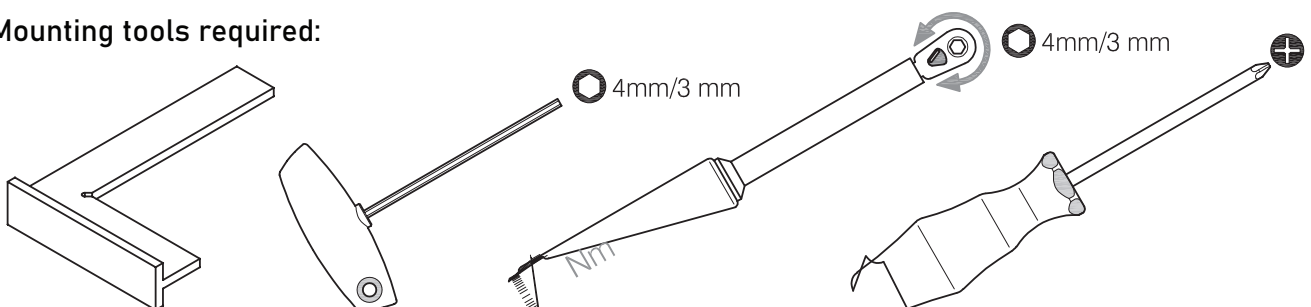
Additional Strike Box Available

.xx reference: 12 = Stainless Steel, Design 26 = Anthracite Black Design, 10 = Chrome Design

Scope of supply

 Strike plate	 Cover stripe	 Handle guide rings for Ø16mm and Ø18mm	 Cover rings for Ø16mm und Ø18mm handles
 Mounting tool	 Allen key - 4mm/3mm and 2mm	 35mm Profile cylinder screw (only incl. in art. 45.2210.x02.xx and 45.2210.x03.xx)	

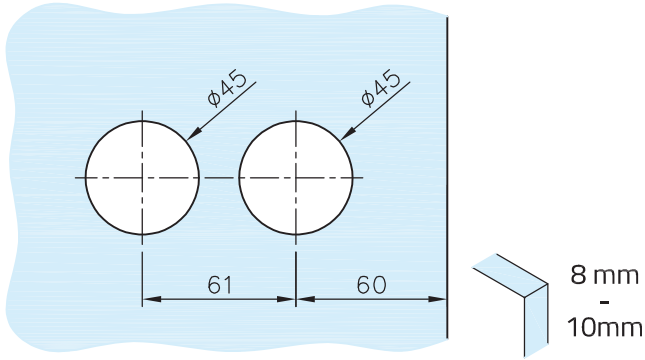
Mounting tools required:



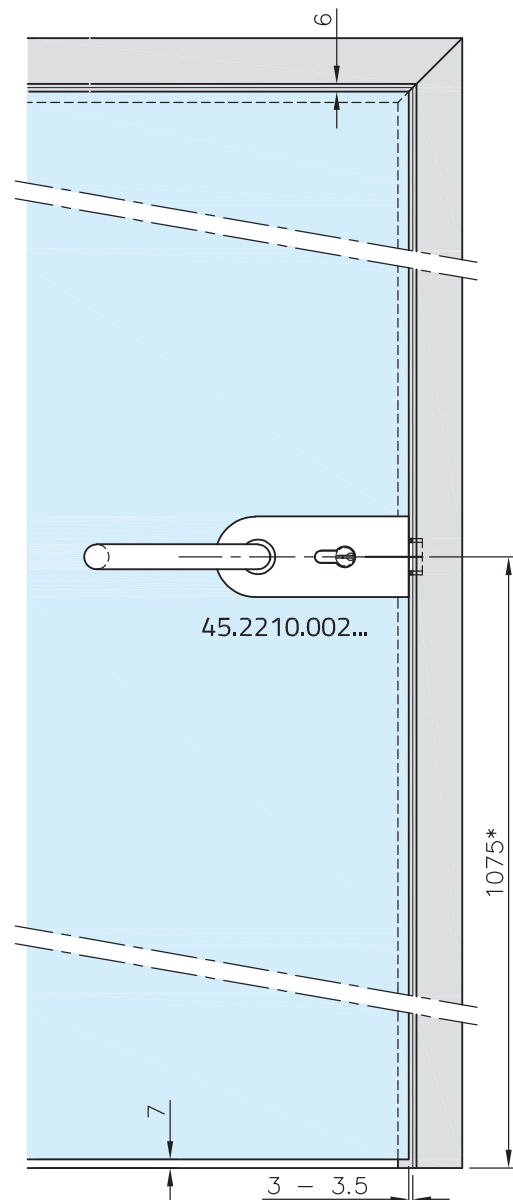
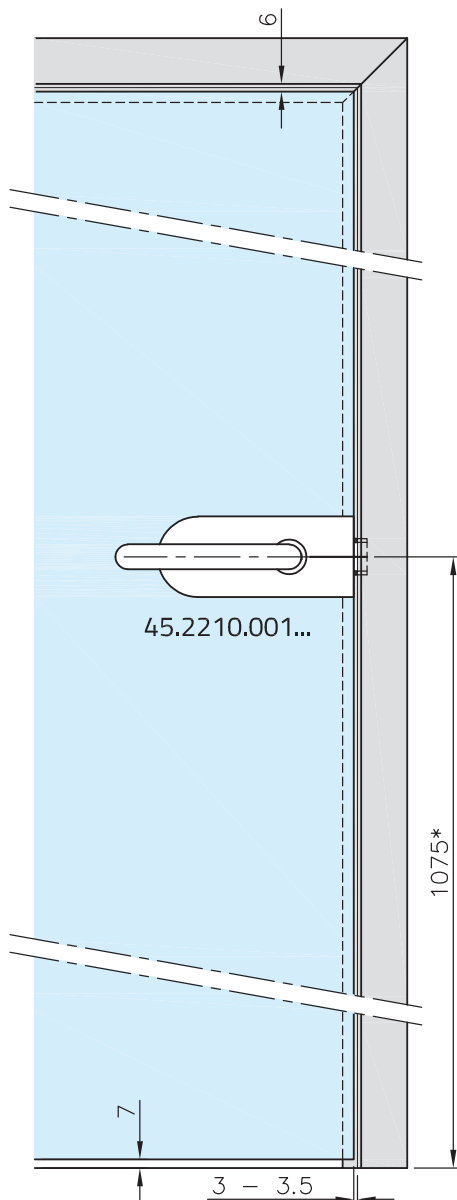
Glass Door Lock / Lever Handle Installation Example

Manual shows model 45.2210.002.xx - DIN Left Hand Installation

Glass preparation:



Important:
The glass clamping area must be cleaned before installation.
We recommend using glass cleaner
(Do not use thinners/solvents!)

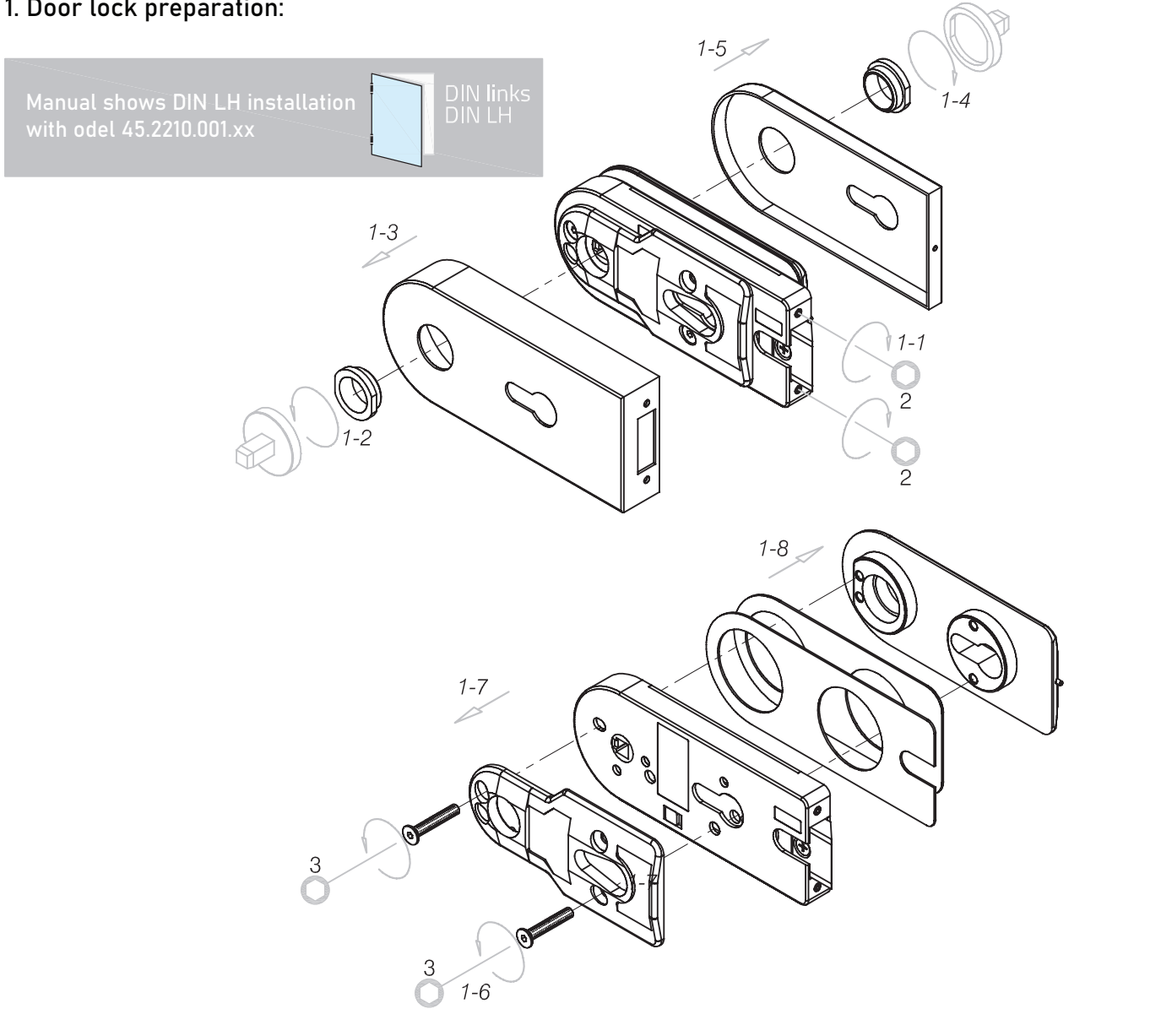


*Recommended door handle height

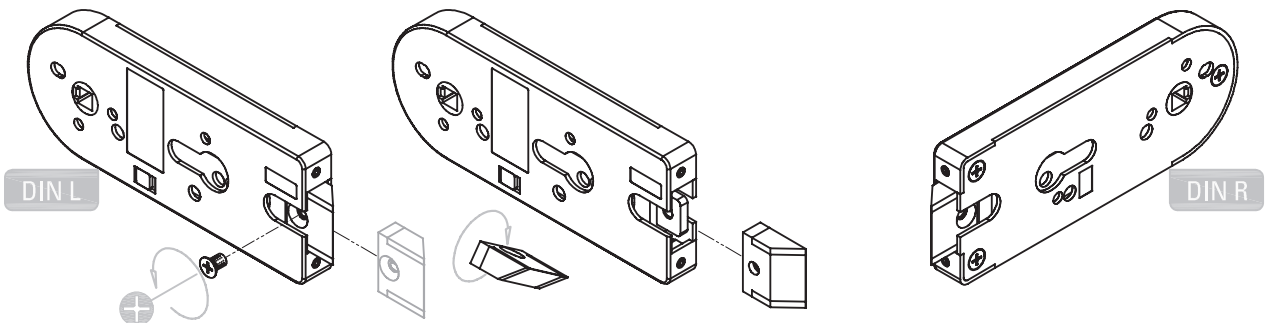
Glass Door Lock / Lever Handle Installation Example

Manual shows model 45.2210.002.xx - DIN Left Hand Installation

1. Door lock preparation:



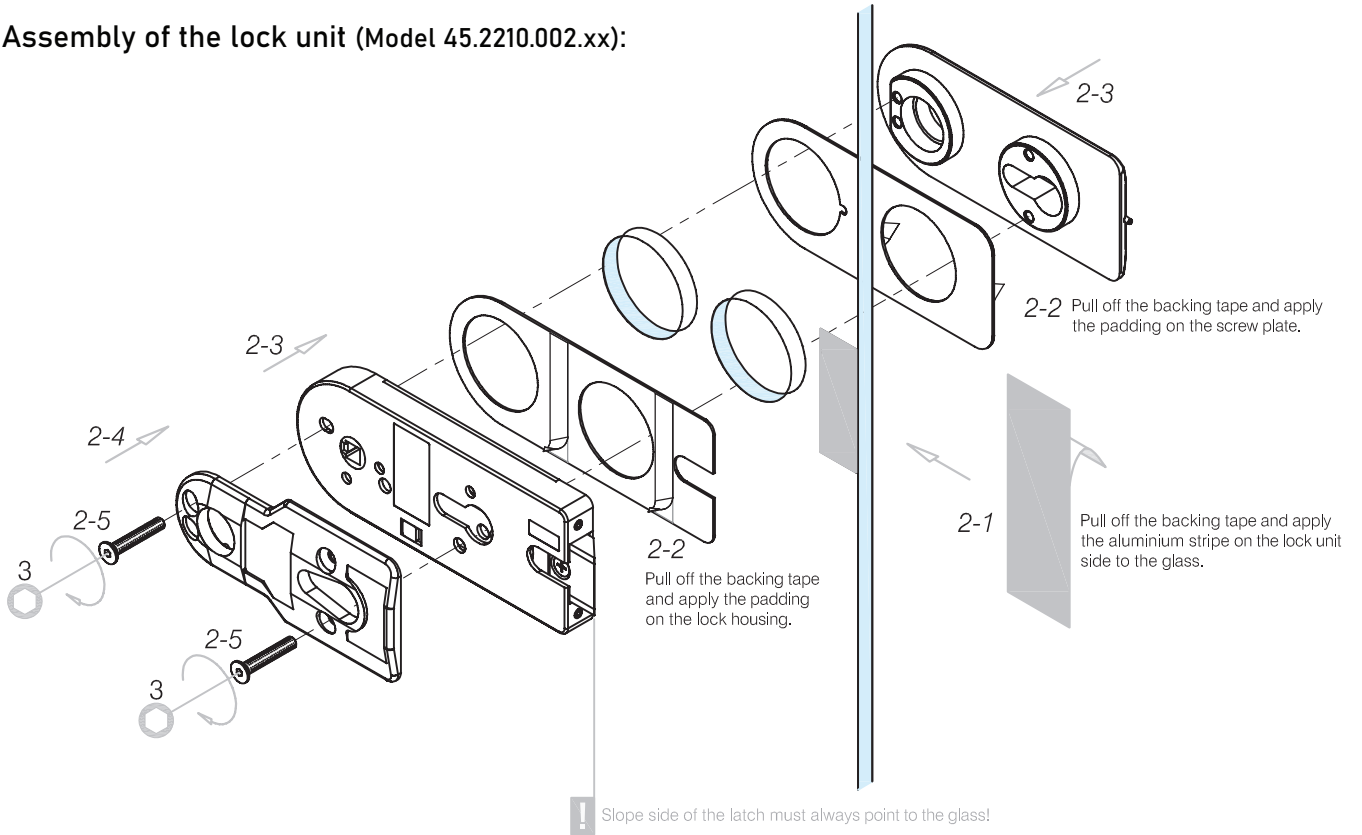
Please attend the desired DIN direction and retrofit the latch if necessary.



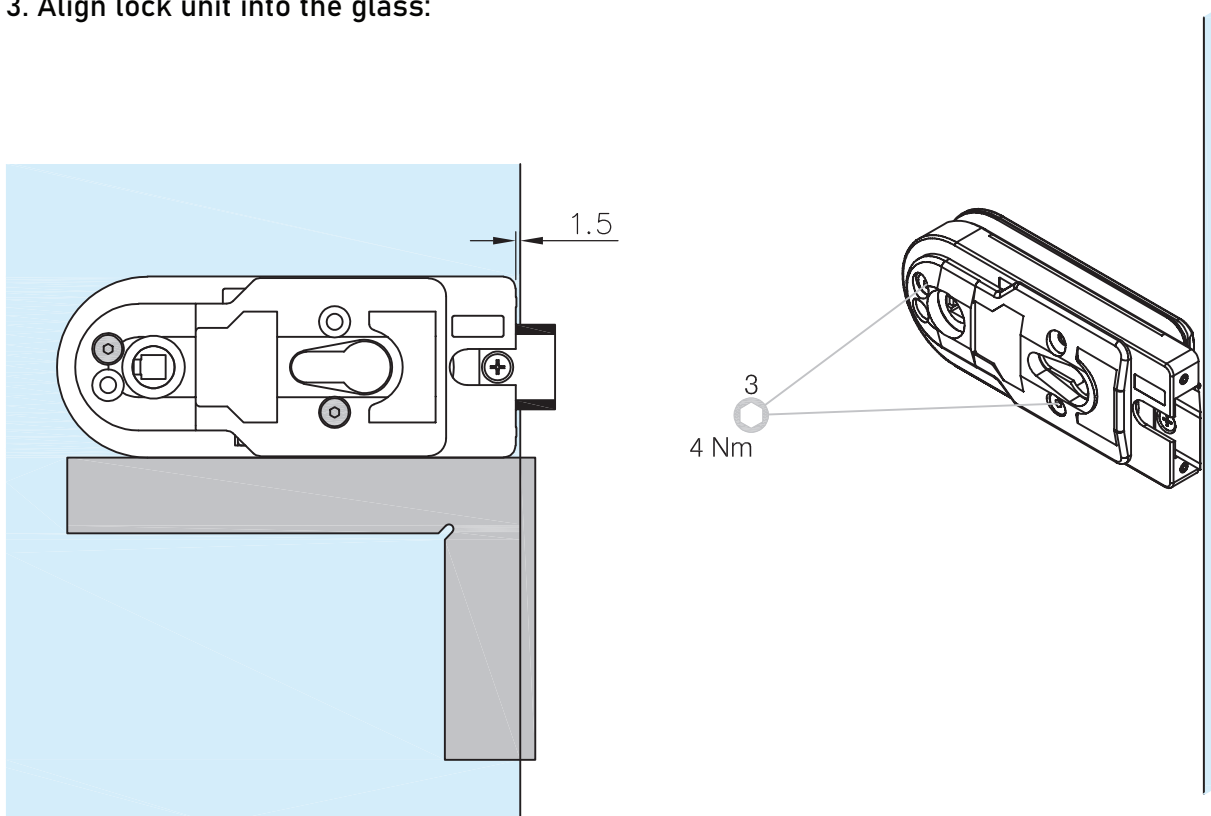
Glass Door Lock / Lever Handle Installation Example

Manual shows model 45.2210.002.xx - DIN Left Hand Installation

2. Assembly of the lock unit (Model 45.2210.002.xx):



3. Align lock unit into the glass:



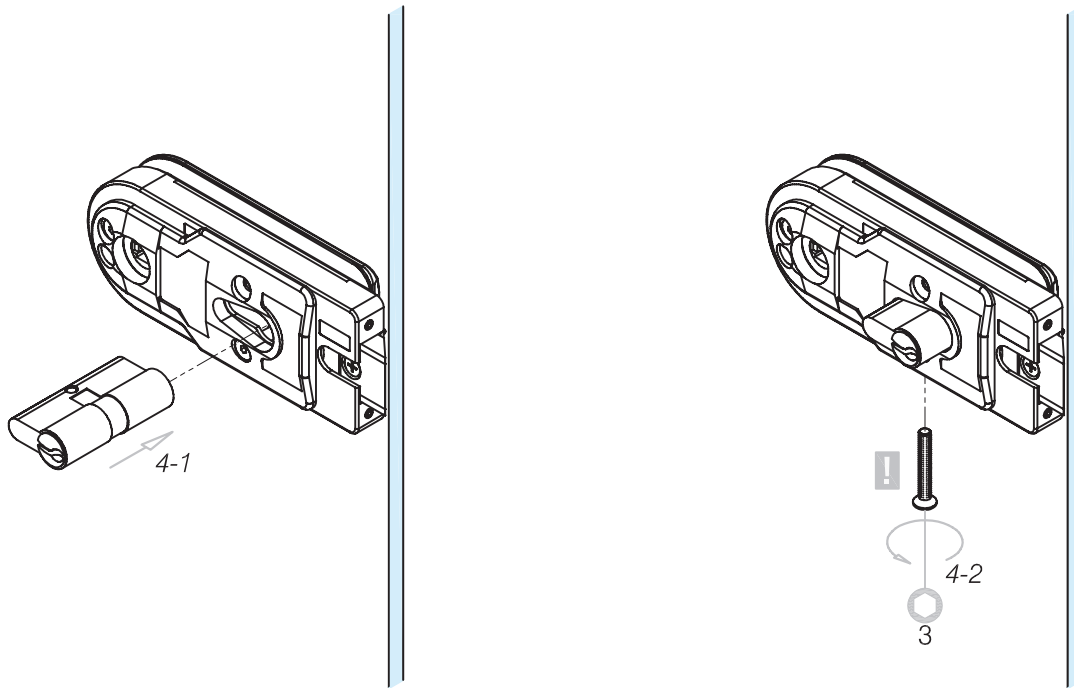
Glass Door Lock / Lever Handle Installation Example

Manual shows model 45.2210.002.12 - DIN Left Hand Installation

45.2210.001.12

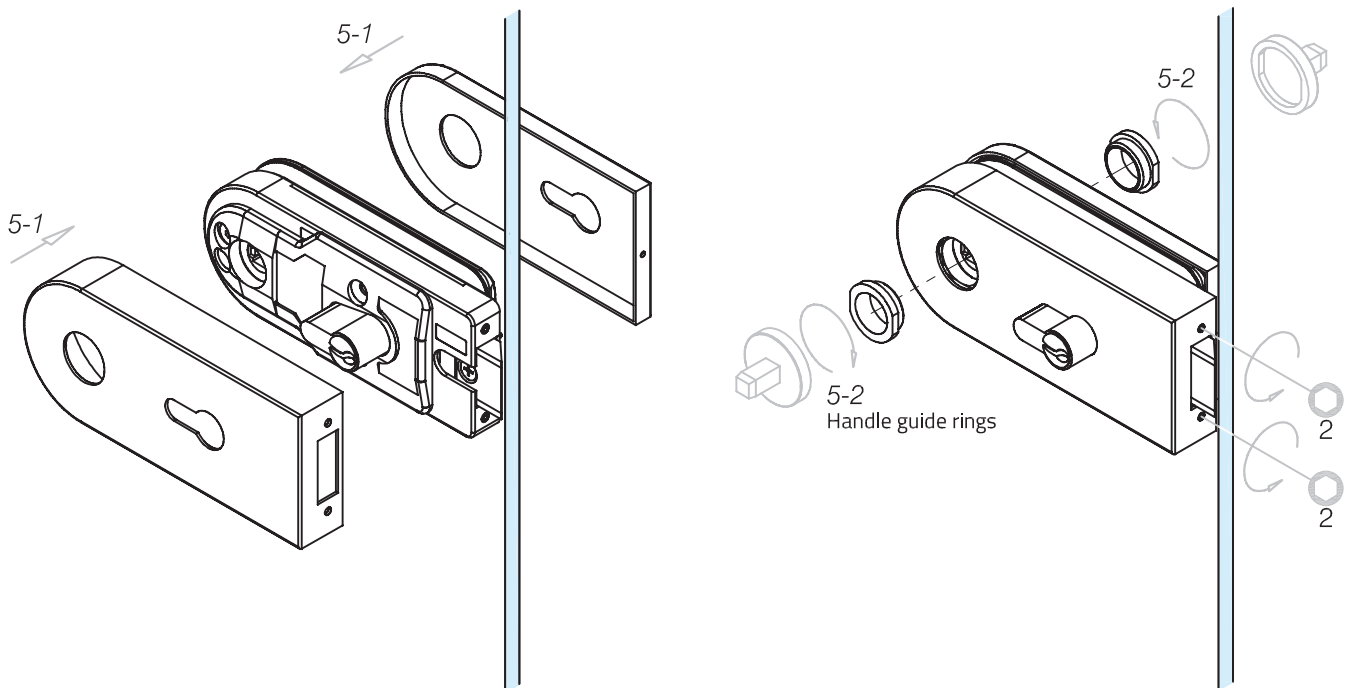
45.2210.002.12

4. Profile cylinder assembly (NOT INCLUDED in scope of supply)



 Screw length not longer than 35mm! (scope of supply)

5. Assembly of the cover caps



Glass Door Lock / Lever Handle Installation Example

Manual shows model 45.2210.002.12 - DIN Left Hand Installation

6. Assembly of the lever handles

Lever handles are scope of supply

