

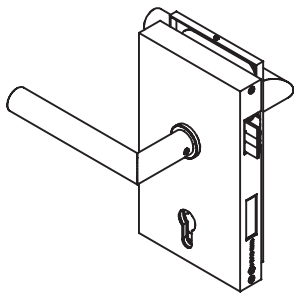
Glass Door Lock with Lever Handle Installation Example

Manual shows model 45.2930.002.xx - Left Hand Installation

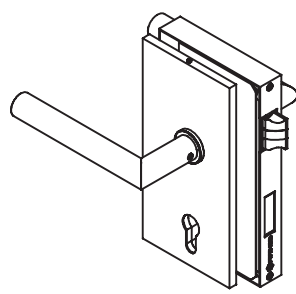
Installation instructions for Left Hand Glass Door Lock,
 These instruction can be applied to the fitting of Right Hand Door Lock

45.2930.002.12
 45.2930.002.26
 45.2940.002.12
 45.2940.002.26

Options:

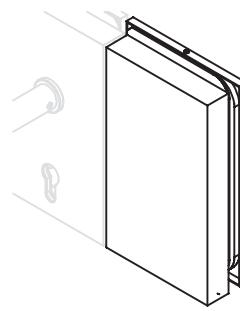


45.2930.002.12
 Stainless Steel
 DIN Left Hand
 45.2930.002.26
 Anthracite Black

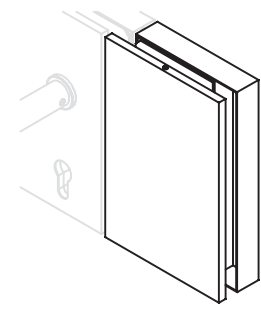


45.2940.002.12
 Stainless Steel
 DIN Right Hand
 45.2940.002.26
 Anthracite Black

Additional Strike Box Available

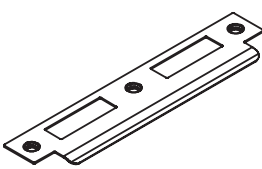
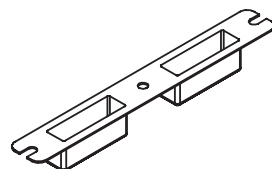


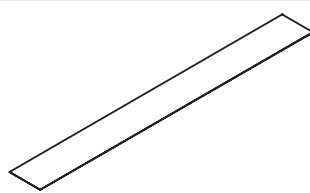
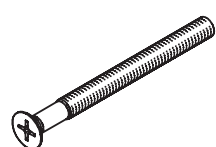
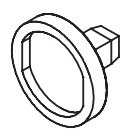
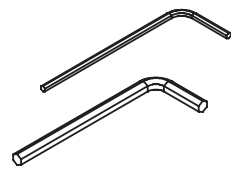


45.2935.001.12
 Stainless Steel
 DIN Left Hand
 45.2935.001.26
 Anthracite Black

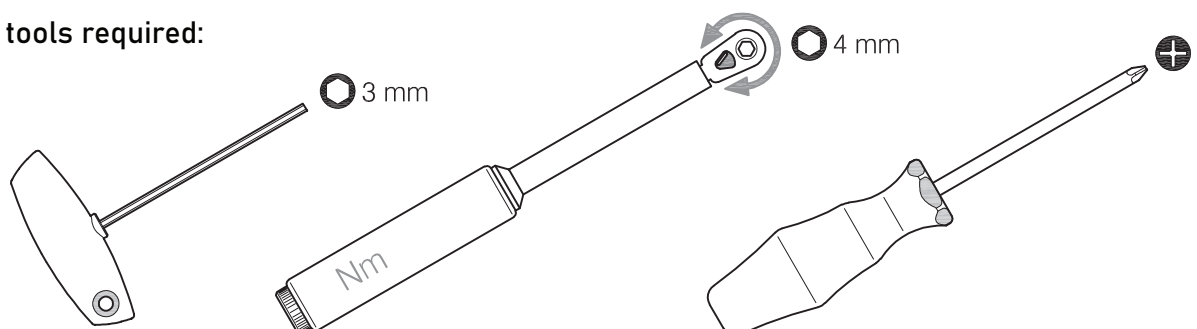


45.2945.001.12
 Stainless Steel
 DIN Right Hand
 45.2945.001.26
 Anthracite Black

Scope of supply

 Strike plate	 Strike plate inlay	 Reducer rings for Ø16mm handles	 Cover rings for Ø16mm und Ø18mm handles
 Cover stripe	 Profile cylinder screw	 Mounting tool	 Allen key - 4mm / 2mm

Mounting tools required:



Glass Door Lock with Lever Handle Installation Example

Manual shows model 45.2930.002.xx - Left Hand Installation

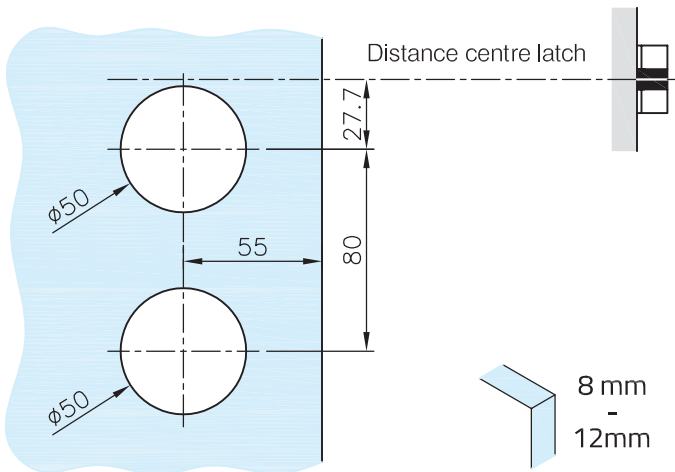
45.2930.002.12

45.2930.002.26

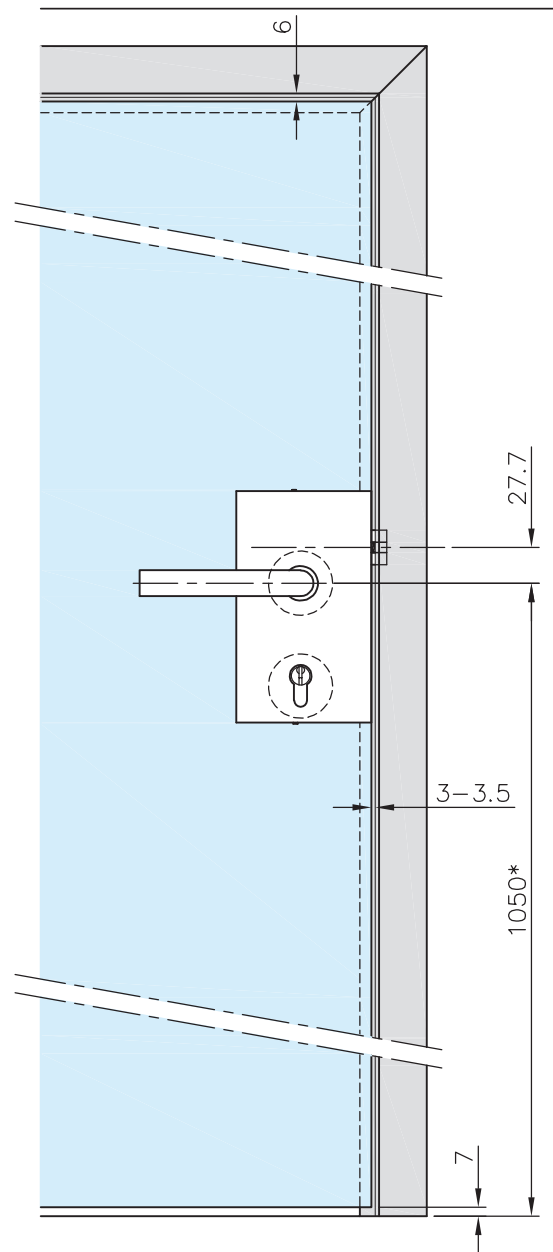
45.2940.002.12

45.2940.002.26

Glass preparation:



Important:
The glass clamping area must be cleaned before installation.
We recommend using glass cleaner
(Do not use thinners/solvents)!



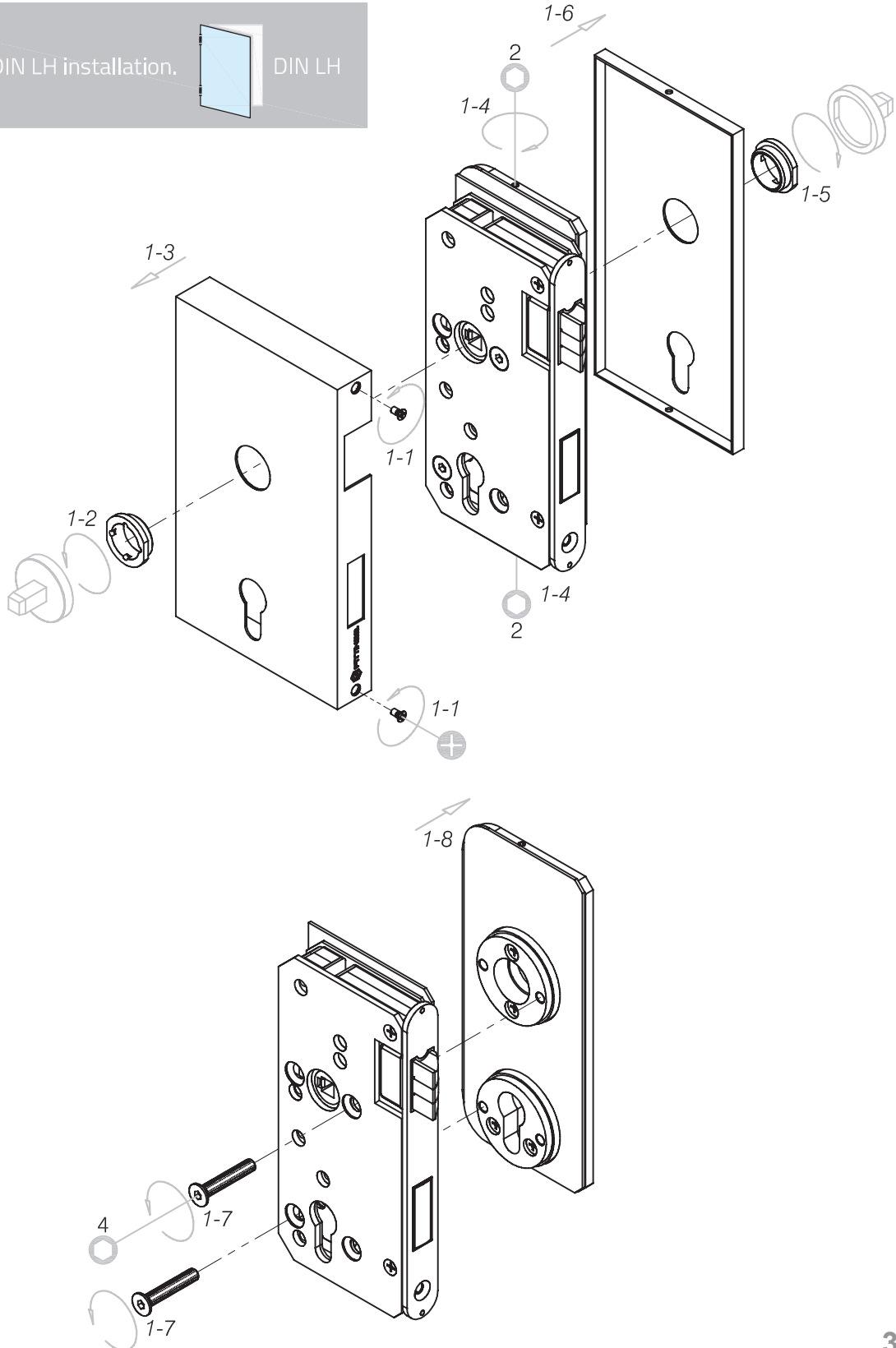
*Recommended door handle height

Glass Door Lock with Lever Handle Installation Example

Manual shows model 45.2930.002.xx - Left Hand Installation

45.2930.002.12
45.2930.002.26
45.2940.002.12
45.2940.002.26

1. Door lock preparation:



Glass Door Lock with Lever Handle Installation Example

Manual shows model 45.2930.002.xx - Left Hand Installation

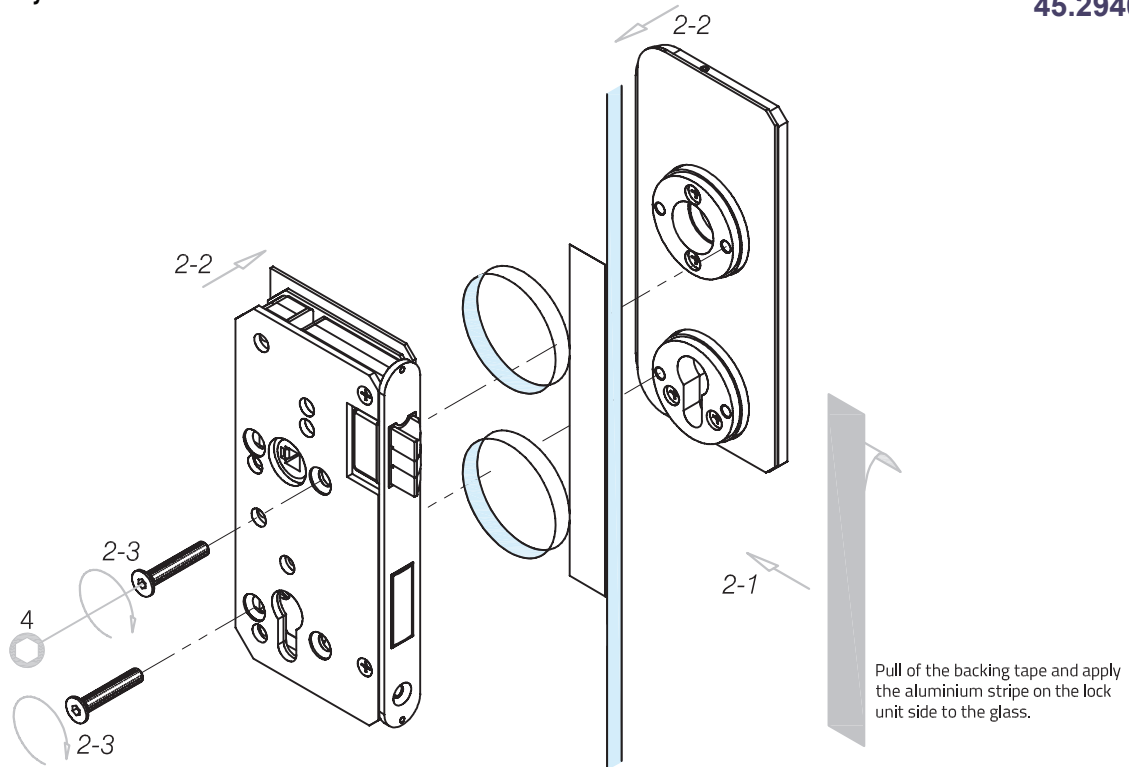
45.2930.002.12

45.2930.002.26

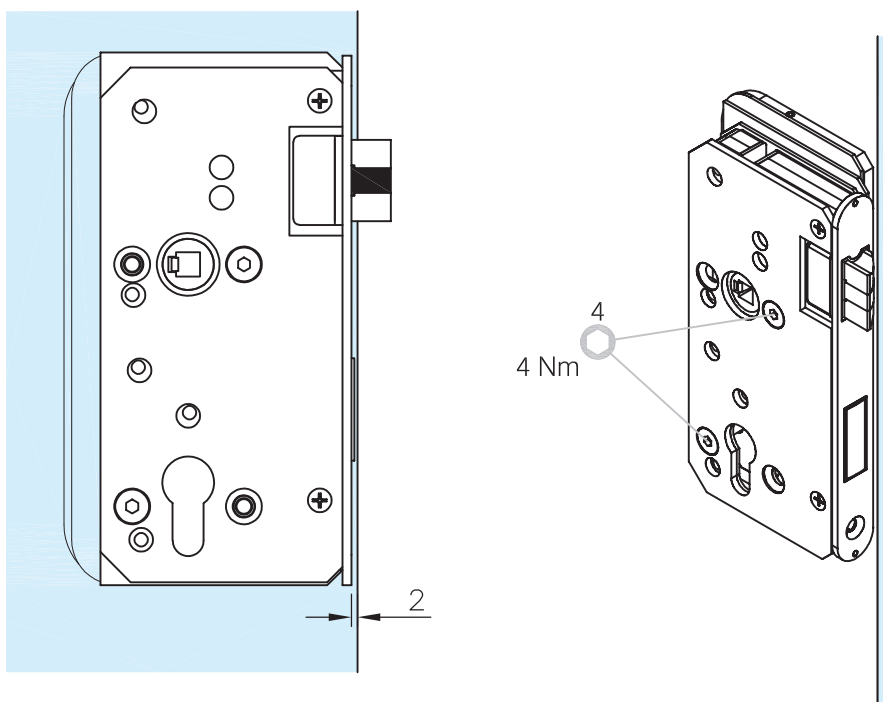
45.2940.002.12

45.2940.002.26

2. Assembly of the lock unit:



3. Align lock unit to the glass:



Glass Door Lock with Lever Handle Installation Example

Manual shows model 45.2930.002.xx - Left Hand Installation

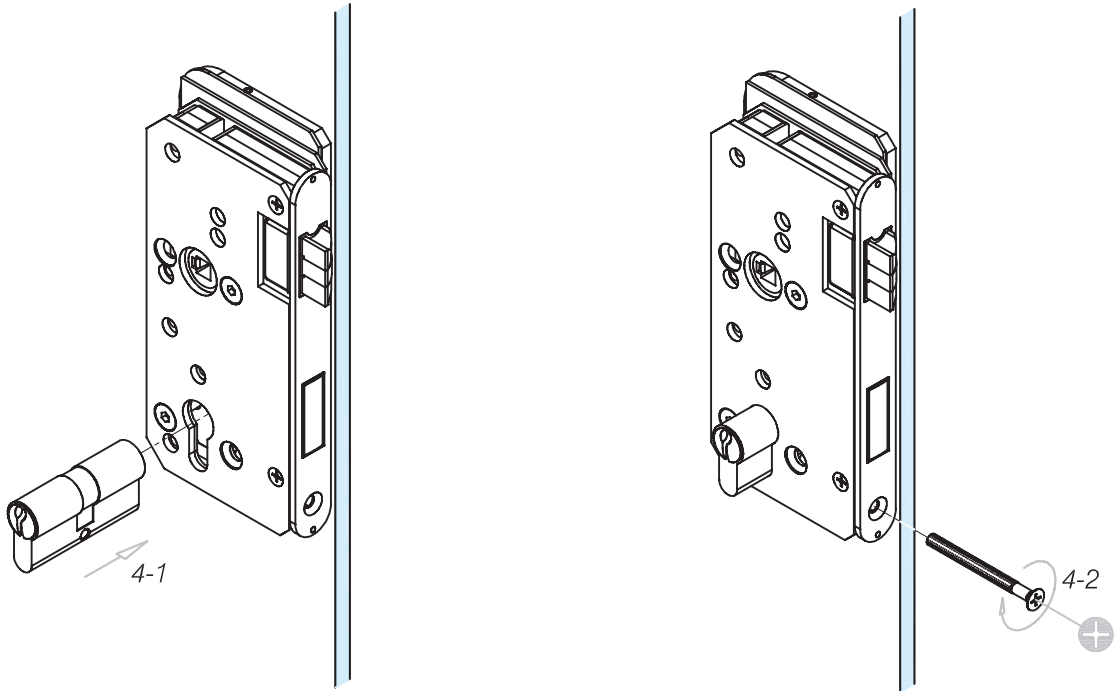
45.2930.002.12

45.2930.002.26

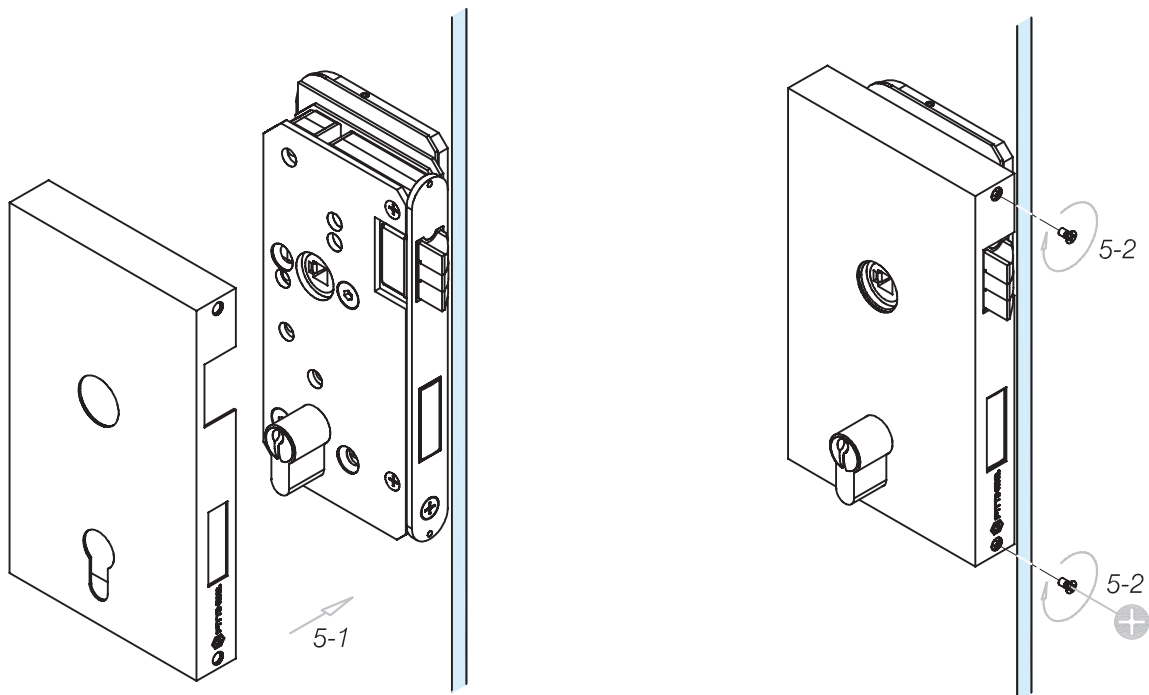
45.2940.002.12

45.2940.002.26

4. Profile cylinder assembly (NOT INCLUDED in scope of supply):



5. Assembly of the cover caps:



Glass Door Lock with Lever Handle Installation Example

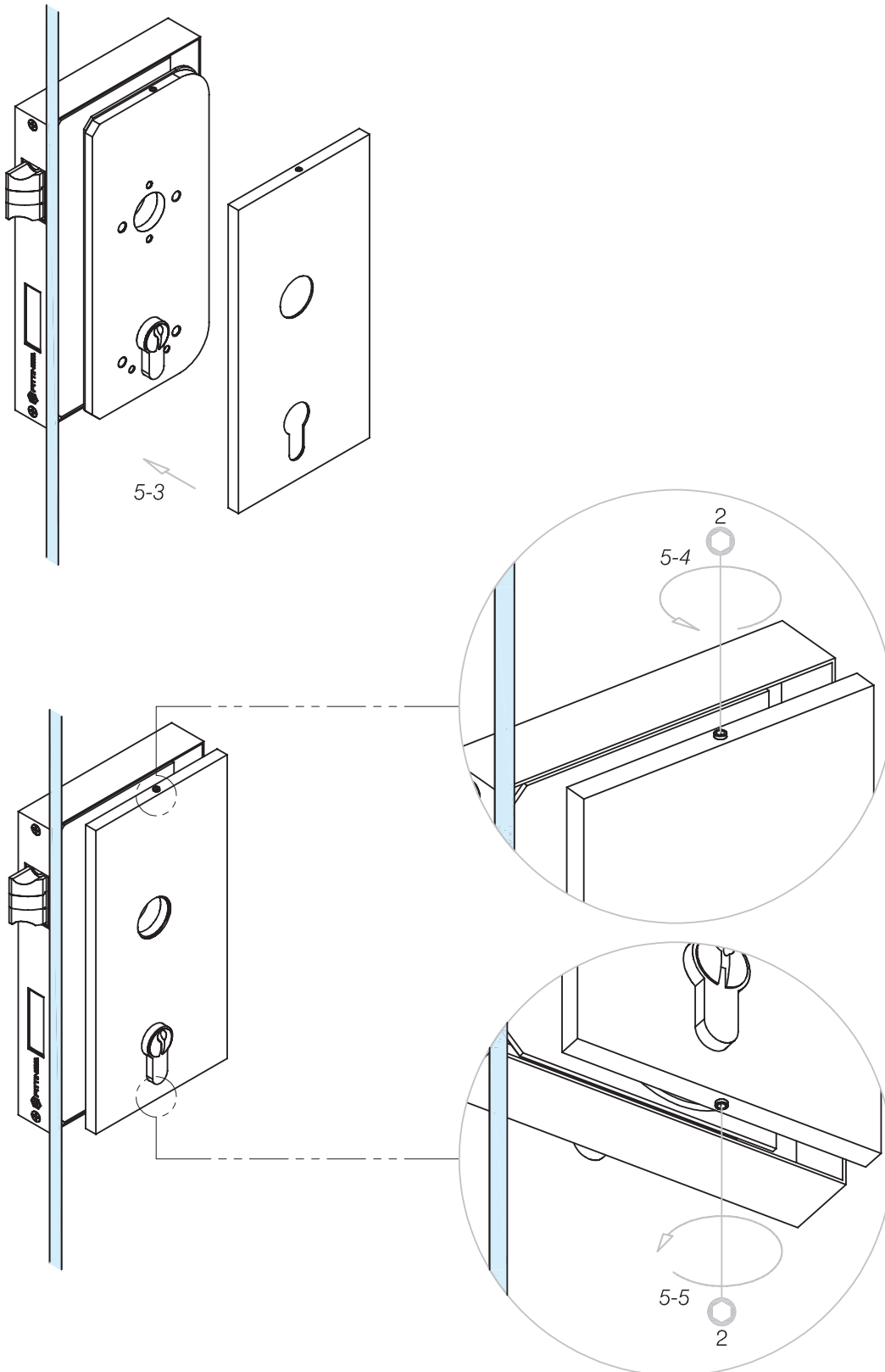
Manual shows model 45.2930.002.xx - Left Hand Installation

45.2930.002.12

45.2930.002.26

45.2940.002.12

45.2940.002.26



Glass Door Lock with Lever Handle Installation Example

Manual shows model 45.2930.002.xx - Left Hand Installation

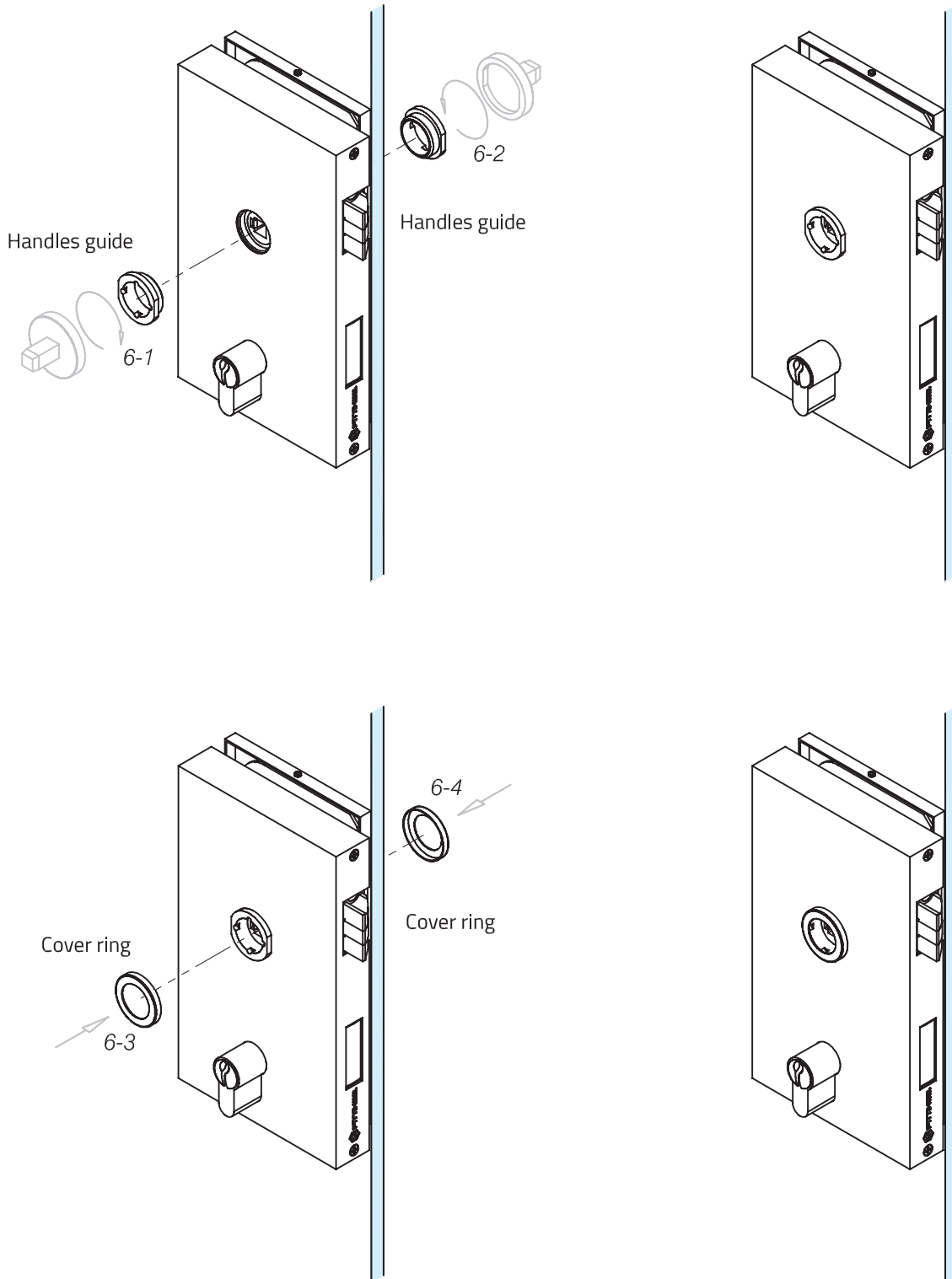
45.2930.002.12

45.2930.002.26

45.2940.002.12

45.2940.002.26

5. Preparation for the lever handles:



Glass Door Lock with Lever Handle Installation Example

Manual shows model 45.2930.002.xx - Left Hand Installation

45.2930.002.12

45.2930.002.26

45.2940.002.12

45.2940.002.26

