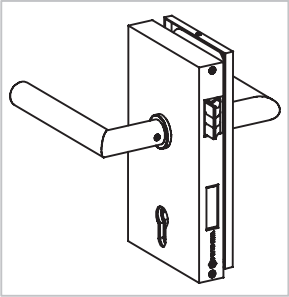
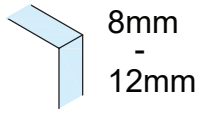


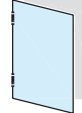
## Glass Door Lock - Lever Handle - Left Opening



Options



8mm  
-  
12mm



DIN links / Left



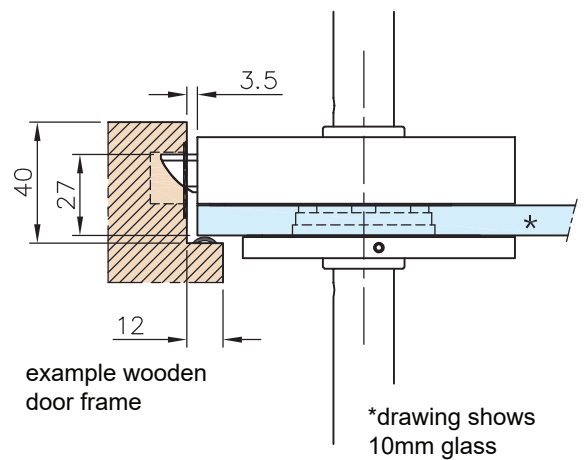
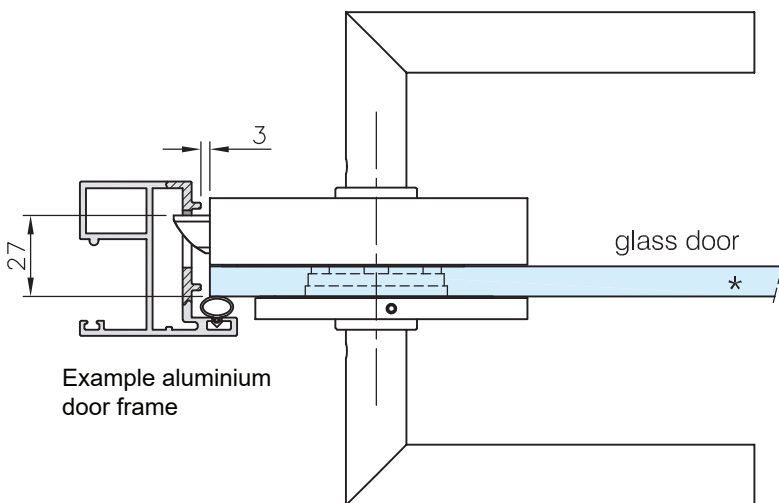
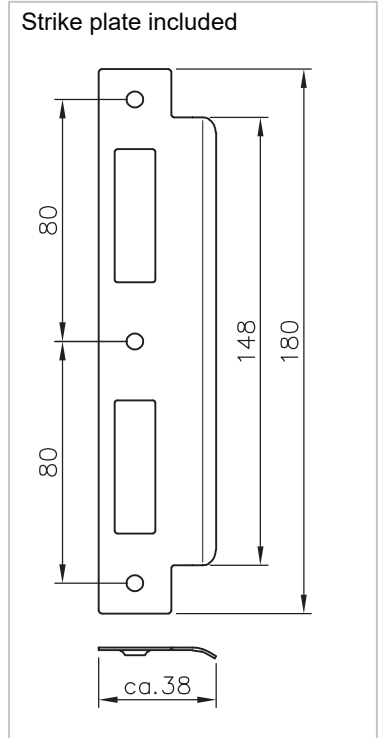
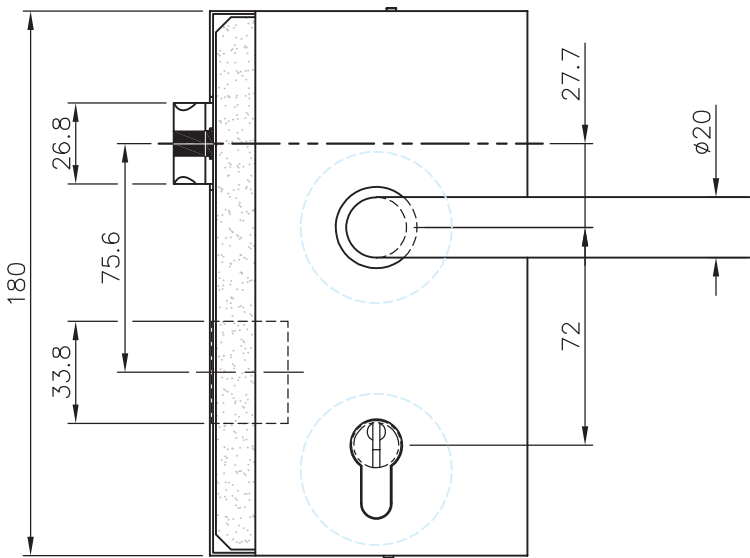
for:  
Profile Cylinder

Material: Stainless Steel AISI 304

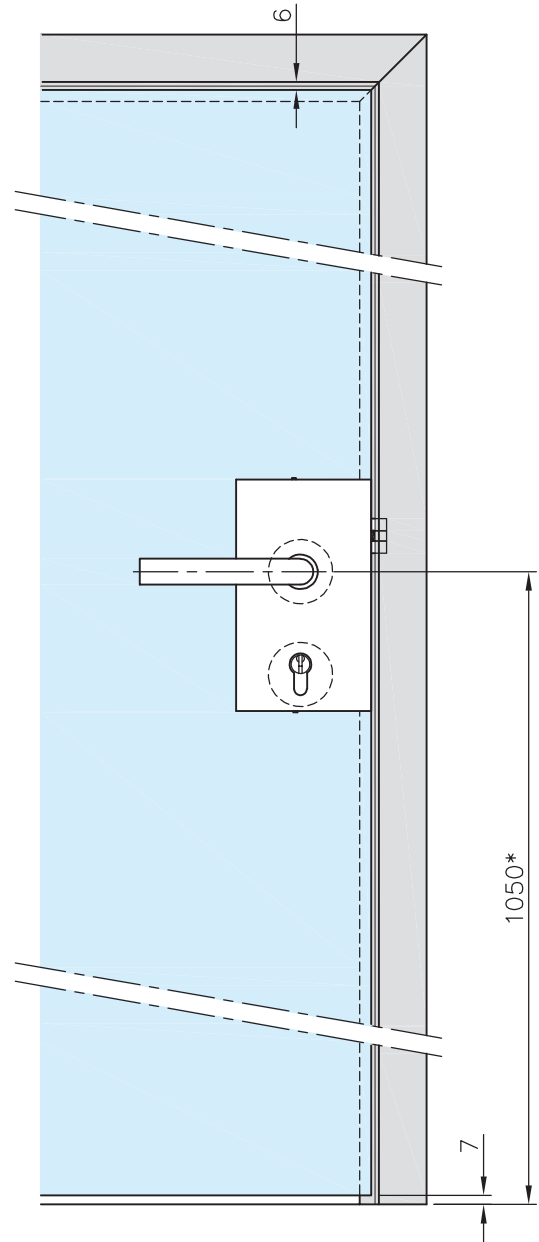
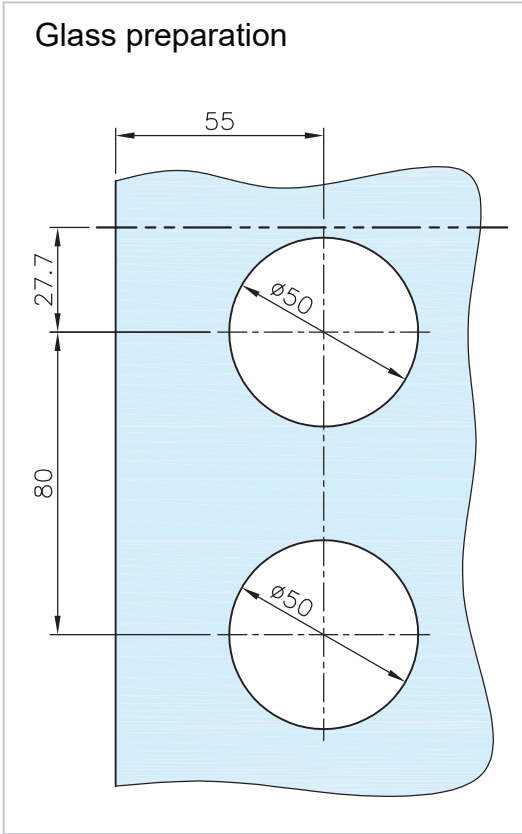
Weight: 0,615kg

Finish: Stainless steel design

Anthracite design



## Glass Door Lock - Lever Handle - Left Opening



\*Recommended door handle height