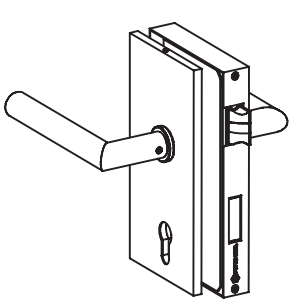
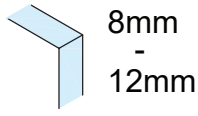


## Glass Door Lock - Lever Handle - Right Opening



Options



DIN links / Right



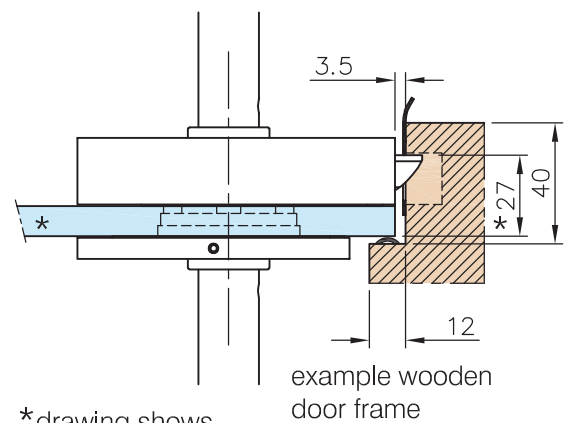
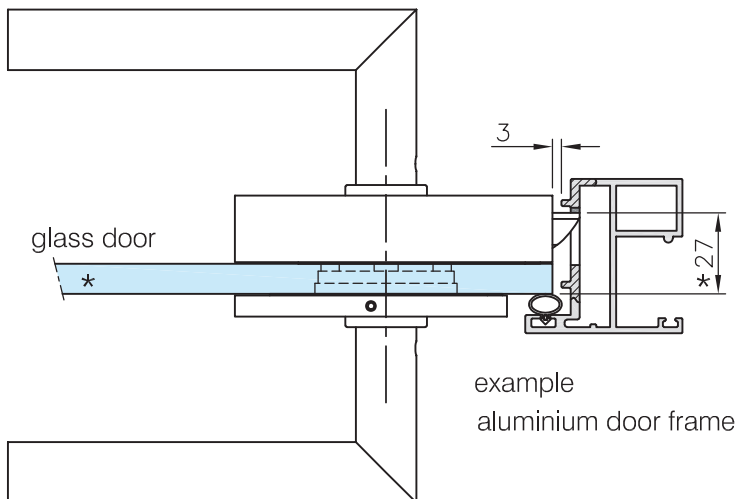
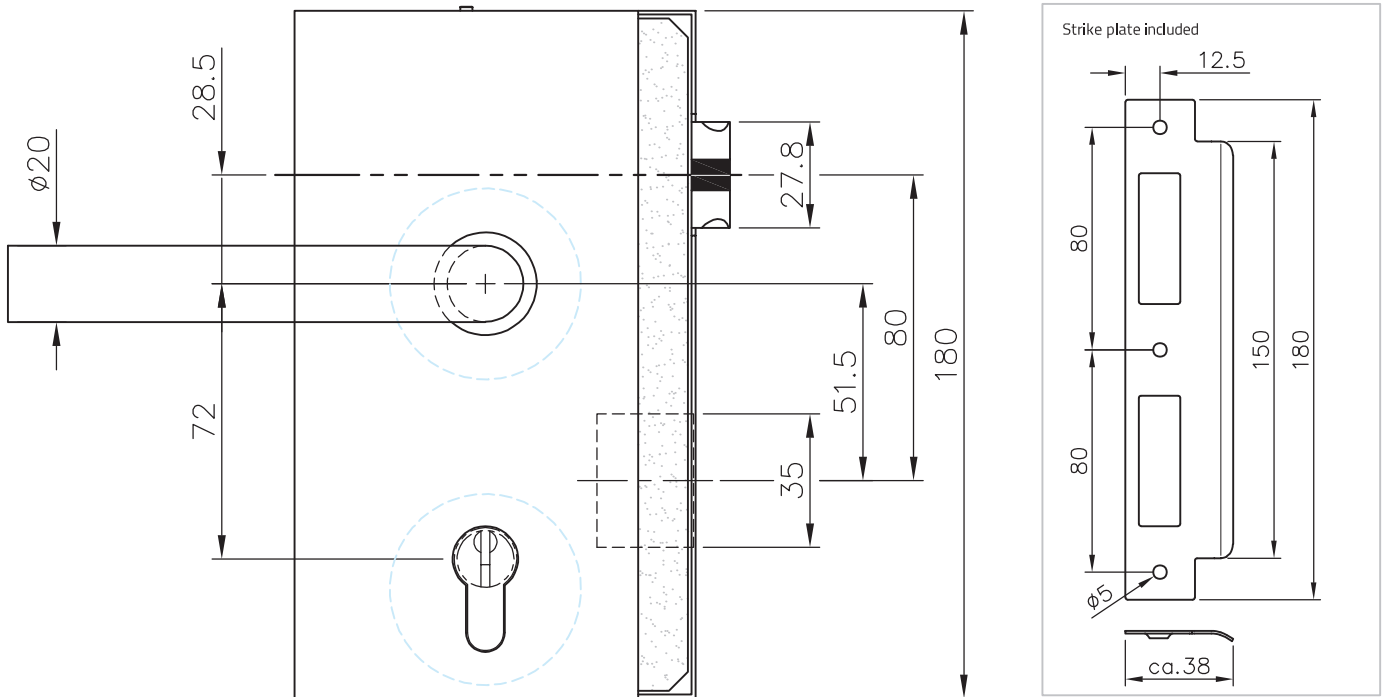
for:  
Profile Cylinder

Material: Stainless Steel AISI 304

Weight: 0,615kg

Finish: Stainless steel design

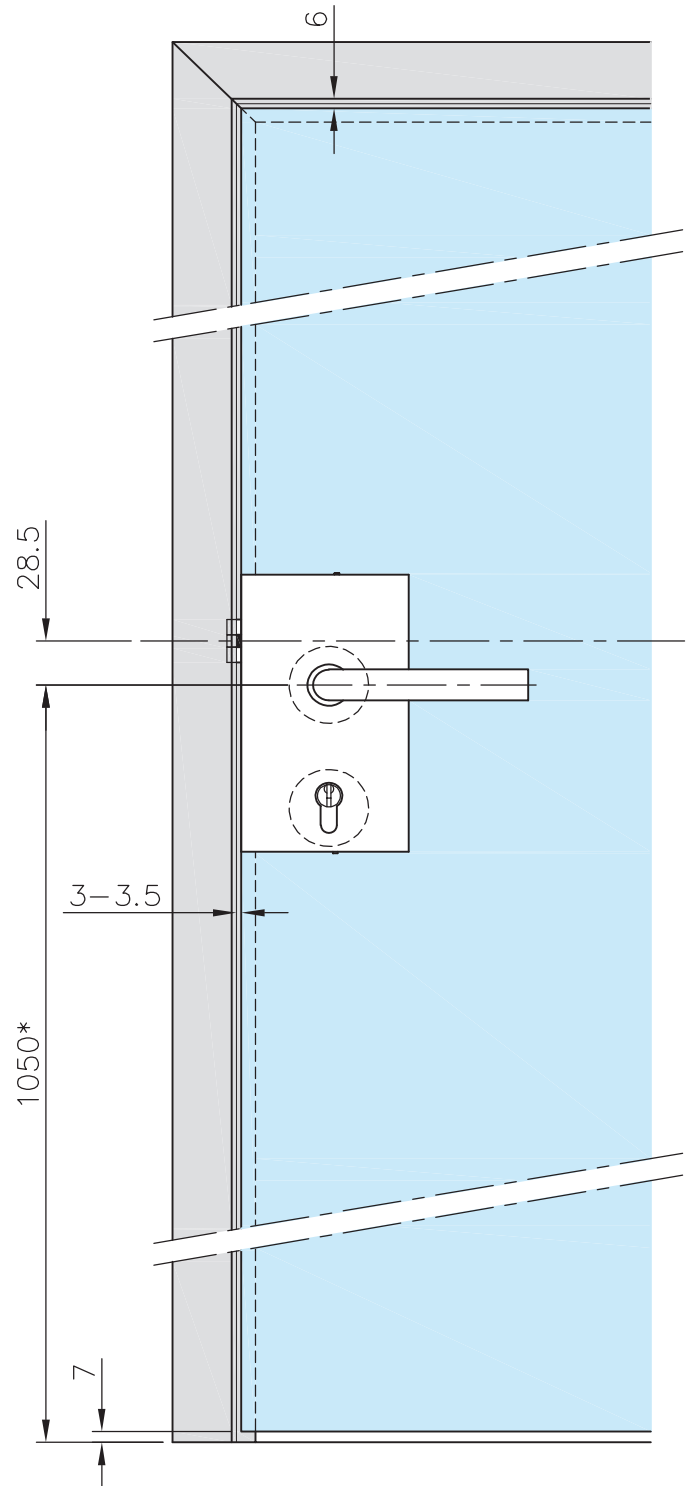
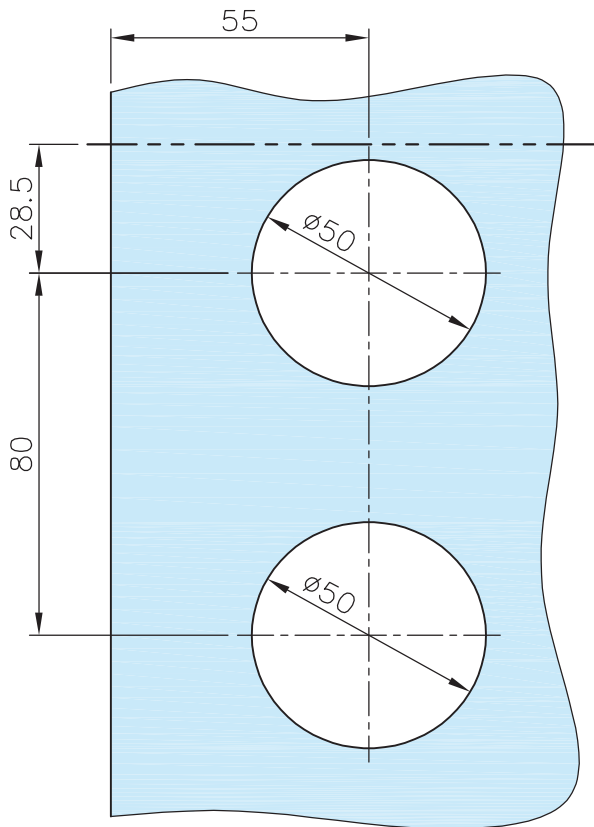
Anthracite design



\*drawing shows 10mm glass

## Glass Door Lock - Lever Handle - Right Opening

Glass preparation:



\*Recommended door handle height