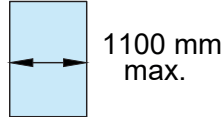
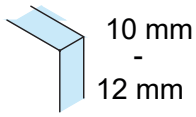


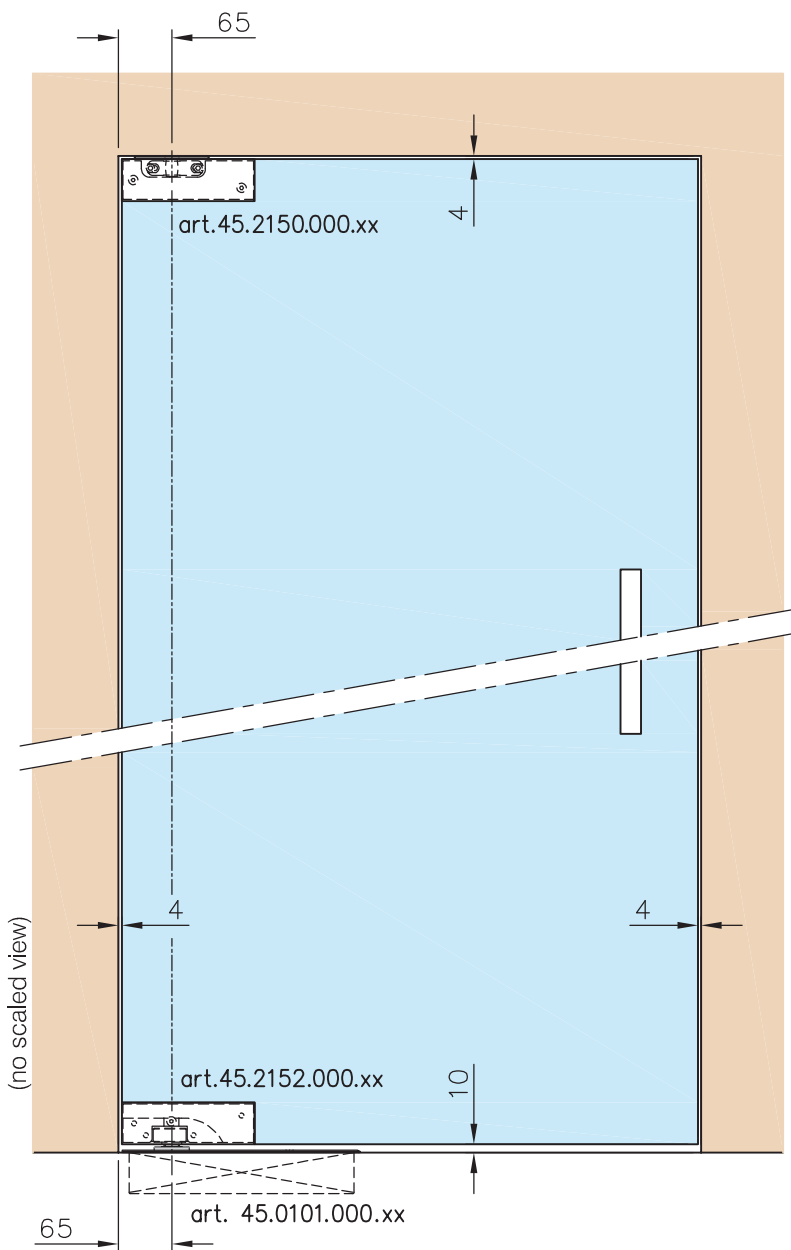
Glass Door Patch Fittings - Technical Data - Glass Cut Outs

Options:

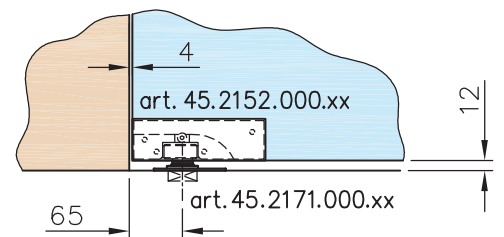


Material: Stainless Steel AISI-304

Finish: Stainless steel design Anthracite design

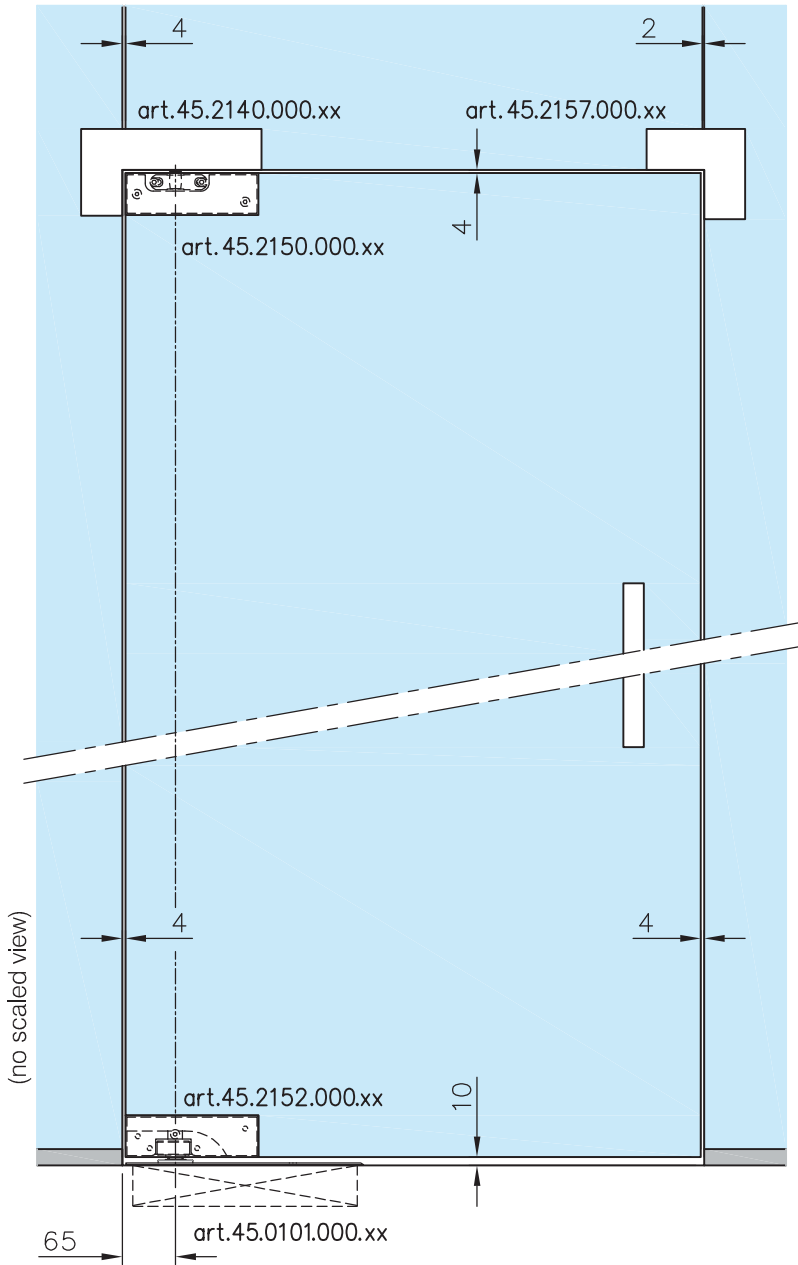


with floor door closer hydraulic

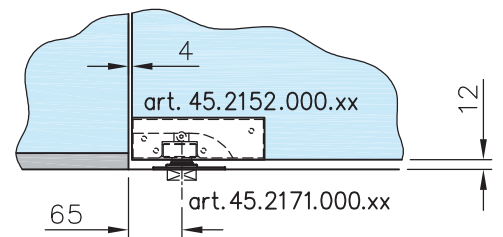


with floor spindle

Glass Door Patch Fittings - Technical Data - Glass Cut Outs



with floor door closer hydraulic



with floor spindle

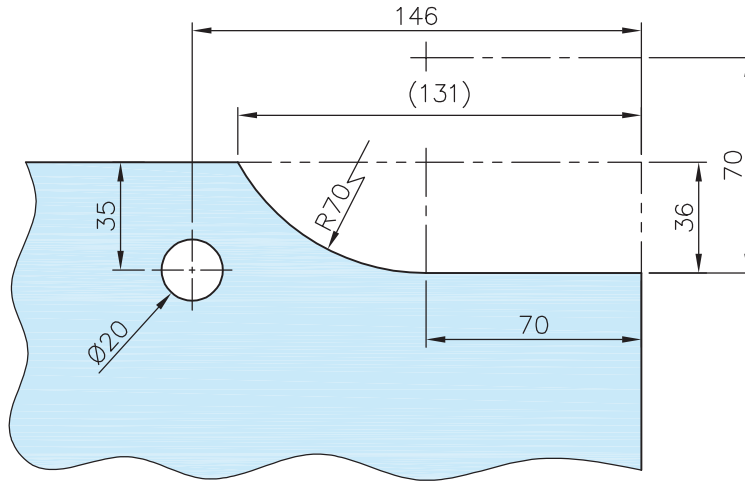
Glass Door Patch Fittings - Technical Data - Glass Cut Outs

Upper Corner

Anthracite design
45.2150.000.26



Stainless steel design
45.2150.000.12

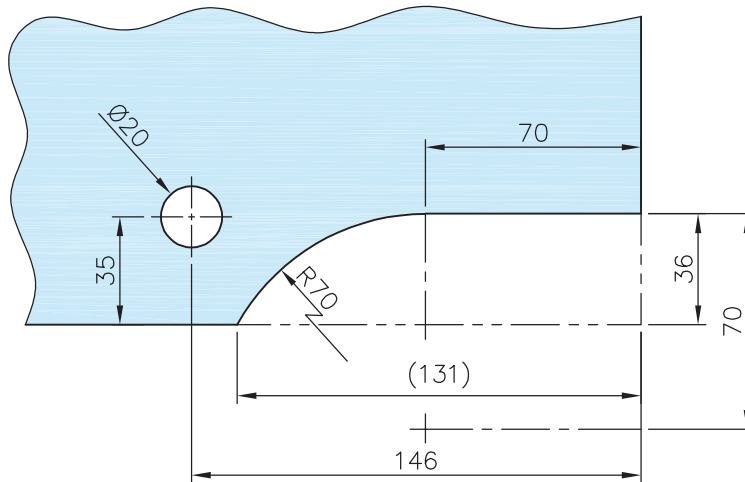


Lower Corner

Anthracite design
45.2152.000.26



Stainless steel design
45.2152.000.12

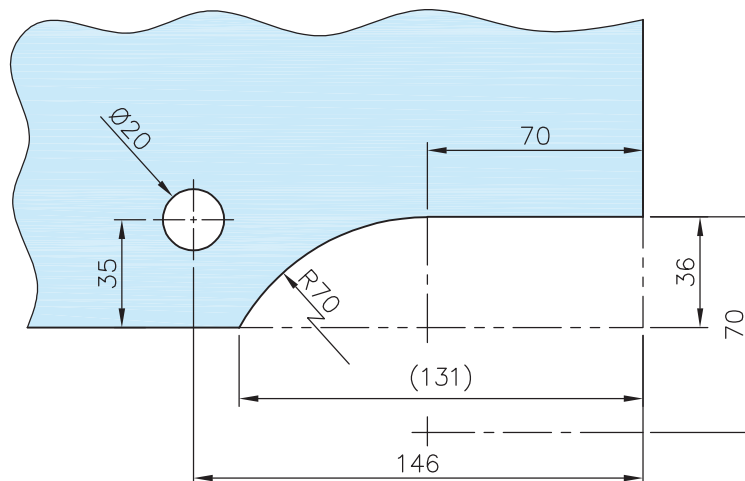


Over Glass Pivot

Anthracite design
45.2153.000.26



Stainless steel design
45.2153.000.12



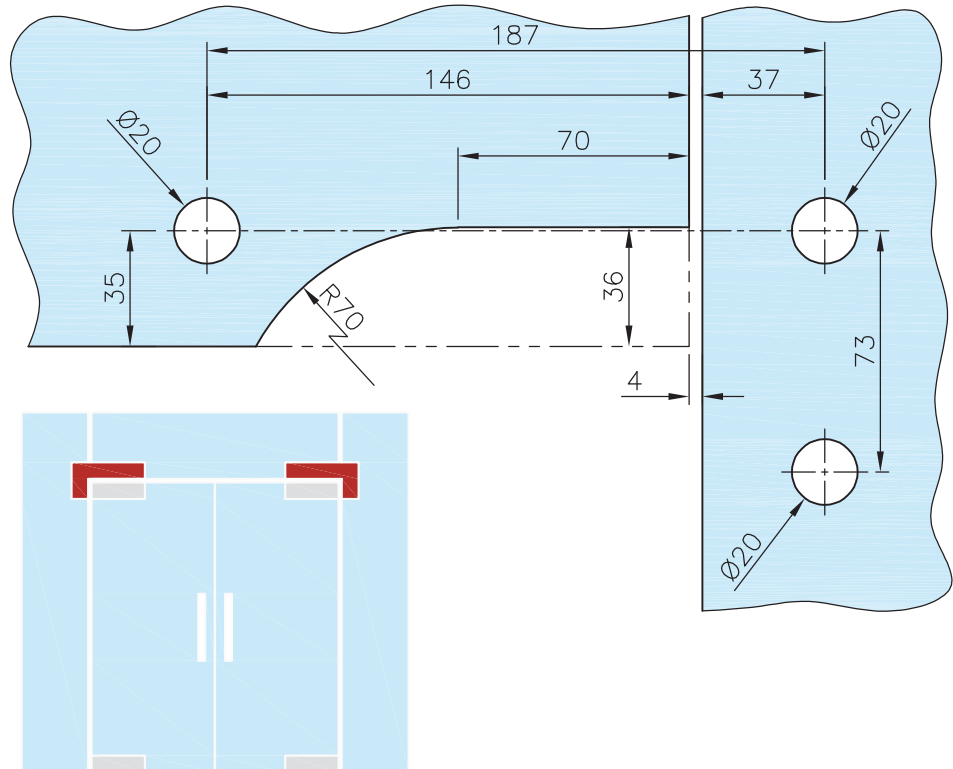
Glass Door Patch Fittings - Technical Data - Glass Cut Outs

Glass Corner Pivot

Anthracite design
45.2154.000.26



Stainless steel design
45.2154.000.12

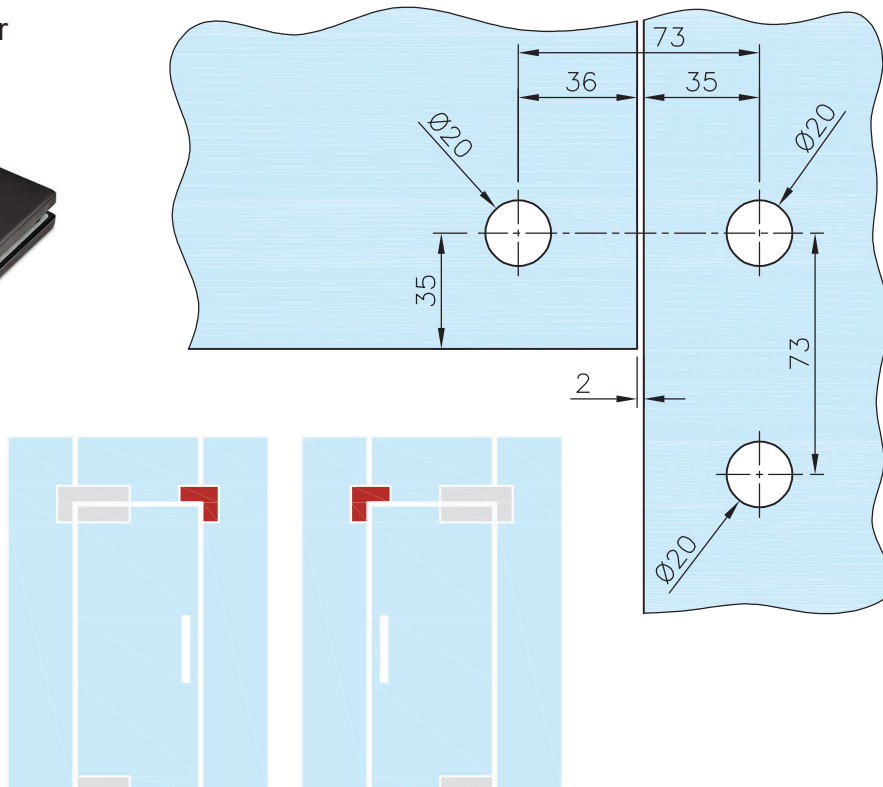


Corner Connector

Anthracite design
45.2157.000.26



Stainless steel design
45.2157.000.12



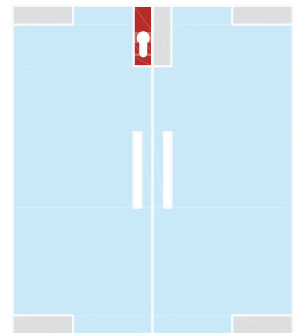
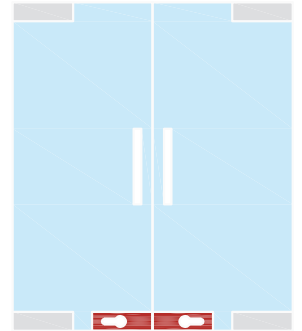
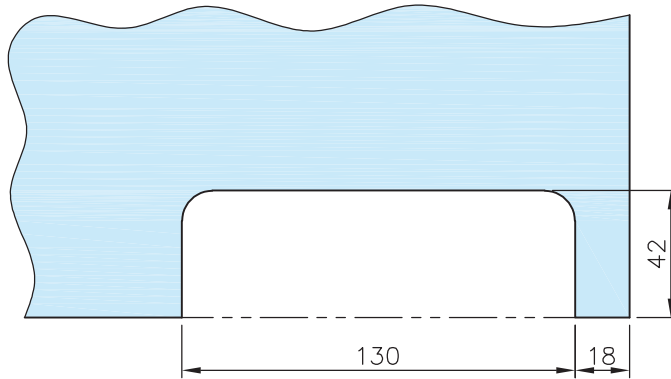
Glass Door Patch Fittings - Technical Data - Glass Cut Outs

Locking Door Patch

Anthracite design
45.2155.000.26



Stainless steel design
45.2155.000.12



Strike Door Patch

Anthracite design
45.2156.000.26



Stainless steel design
45.2156.000.12

