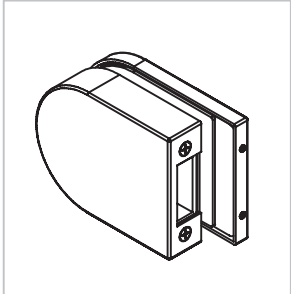
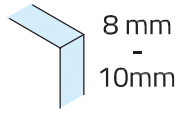


Glass Door Strike Box - D Shape



Options:



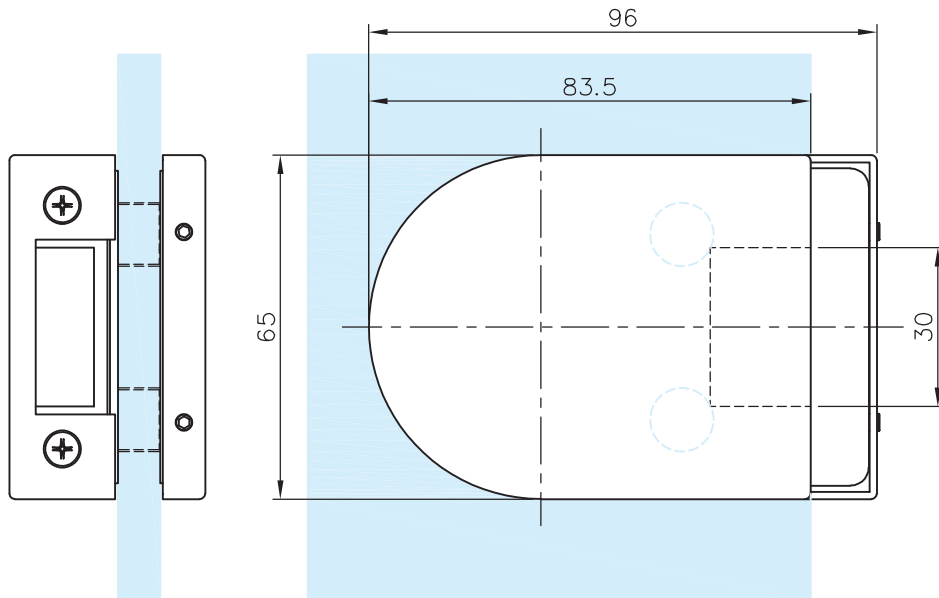
DIN left
+
DIN right



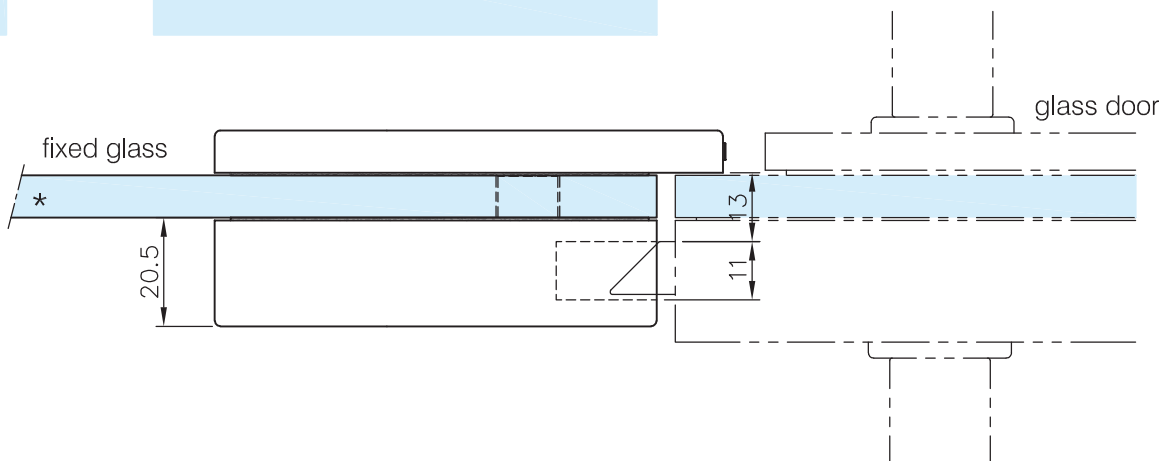
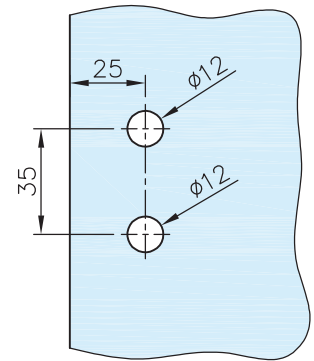
Material: Stainless steel AISI 304

Weight: 0,400 kg

Finish: Stainless steel design



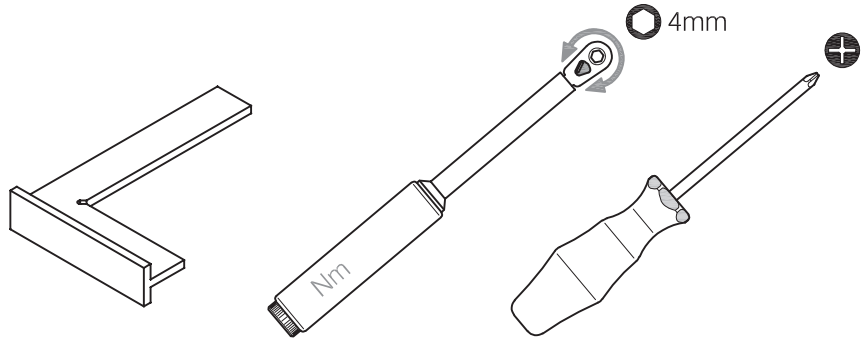
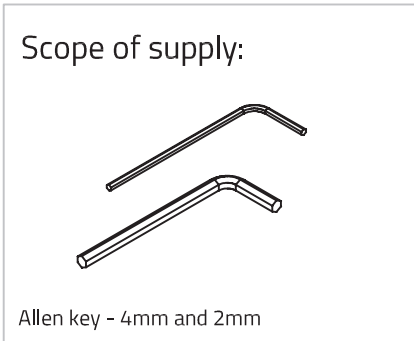
Glass preparation:



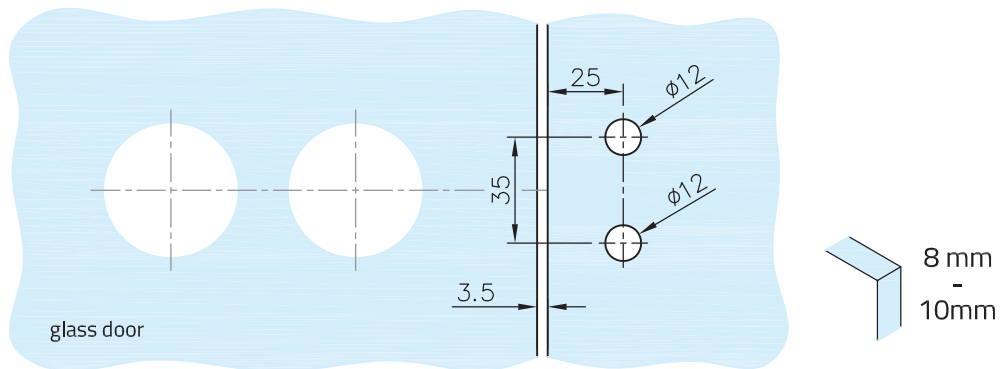
*drawing shows
8mm glass

Glass Door Strike Box - D Shape

Mounting tools required



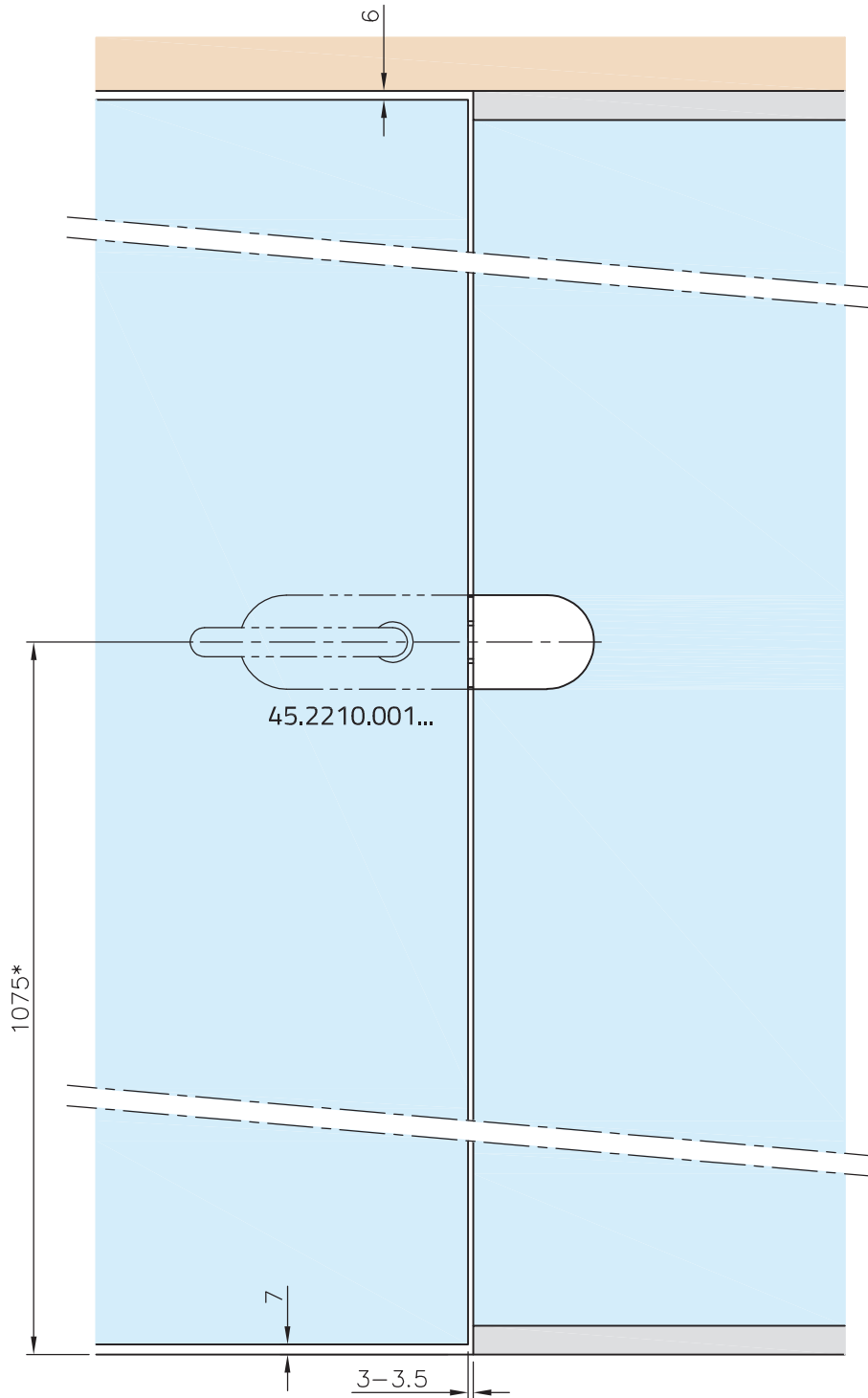
Glass preparation:



Important:

The glass clamping area must be cleaned before installation. We recommend using glass cleaner (Do not use thinners/solvents)!

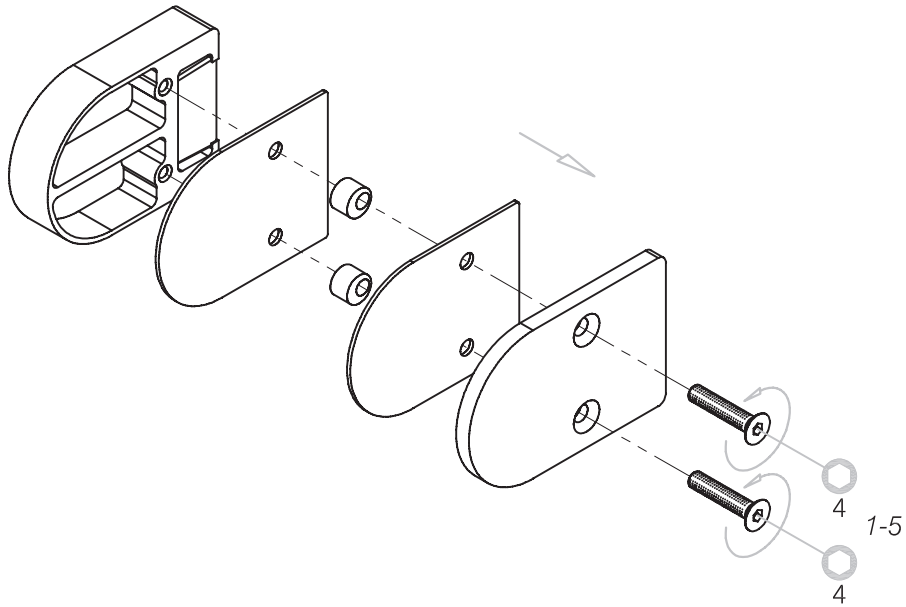
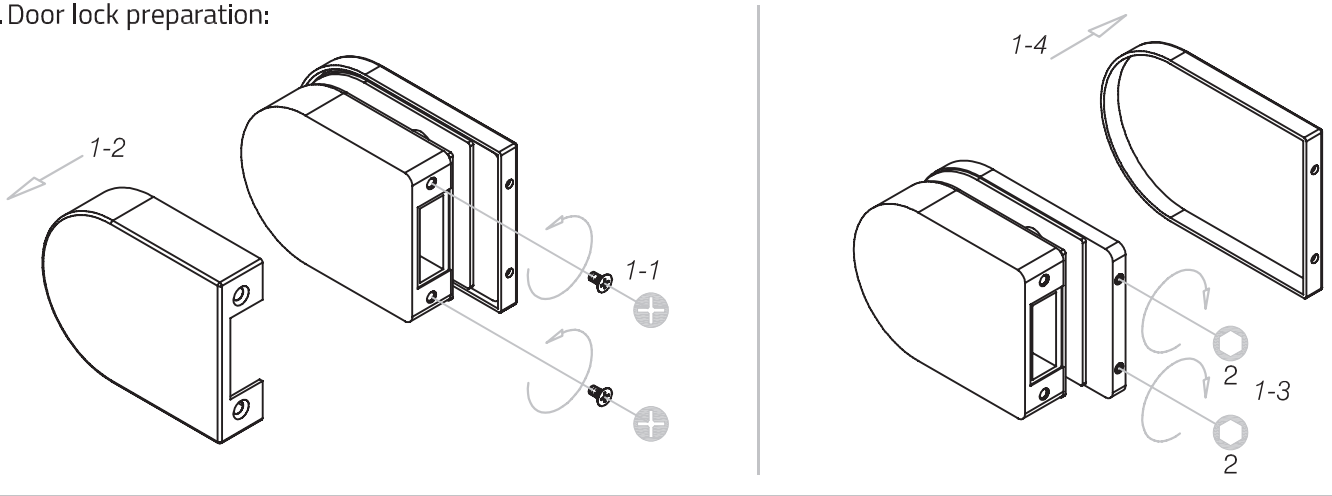
Glass Door Strike Box - D Shape



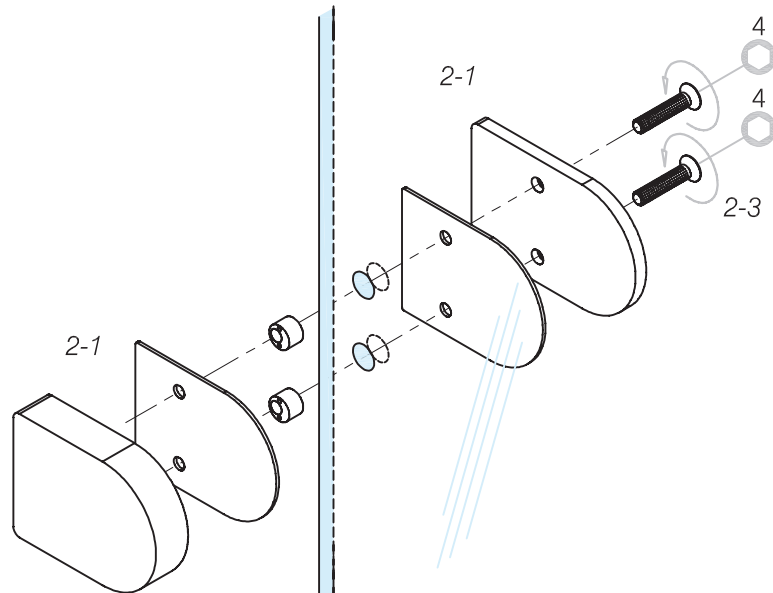
*Recommended door handle height

Glass Door Strike Box - D Shape

1. Door lock preparation:

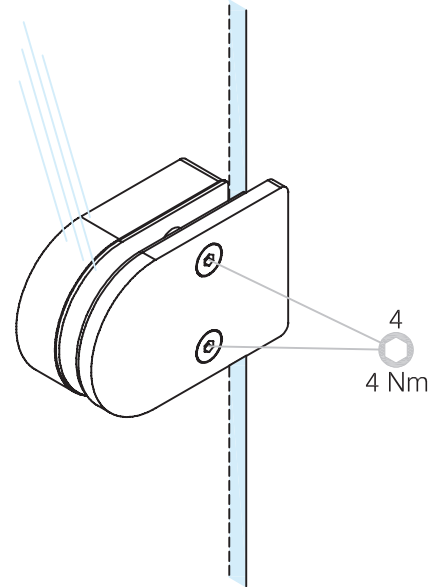
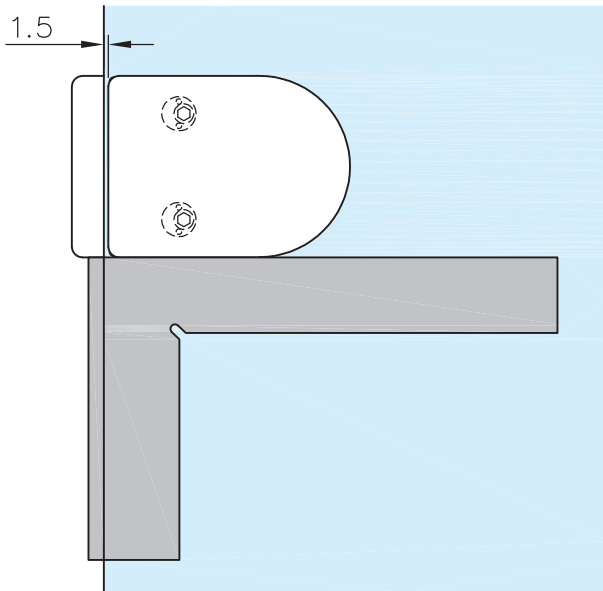


2. Assembly the strike box:



Glass Door Strike Box - D Shape

3. Align strike box to the glass:



4. Assembly of the cover caps:

