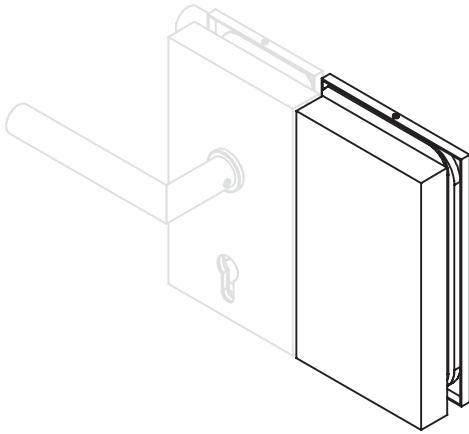
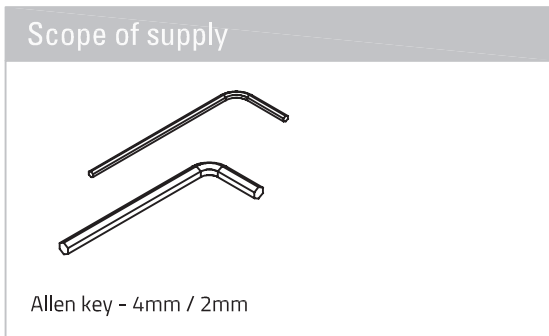


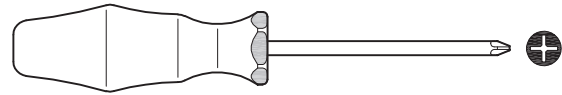
Glass Door Strike Box Installation Example *(Left Hand Opening)*



45.2935.001.xx
DIN LH

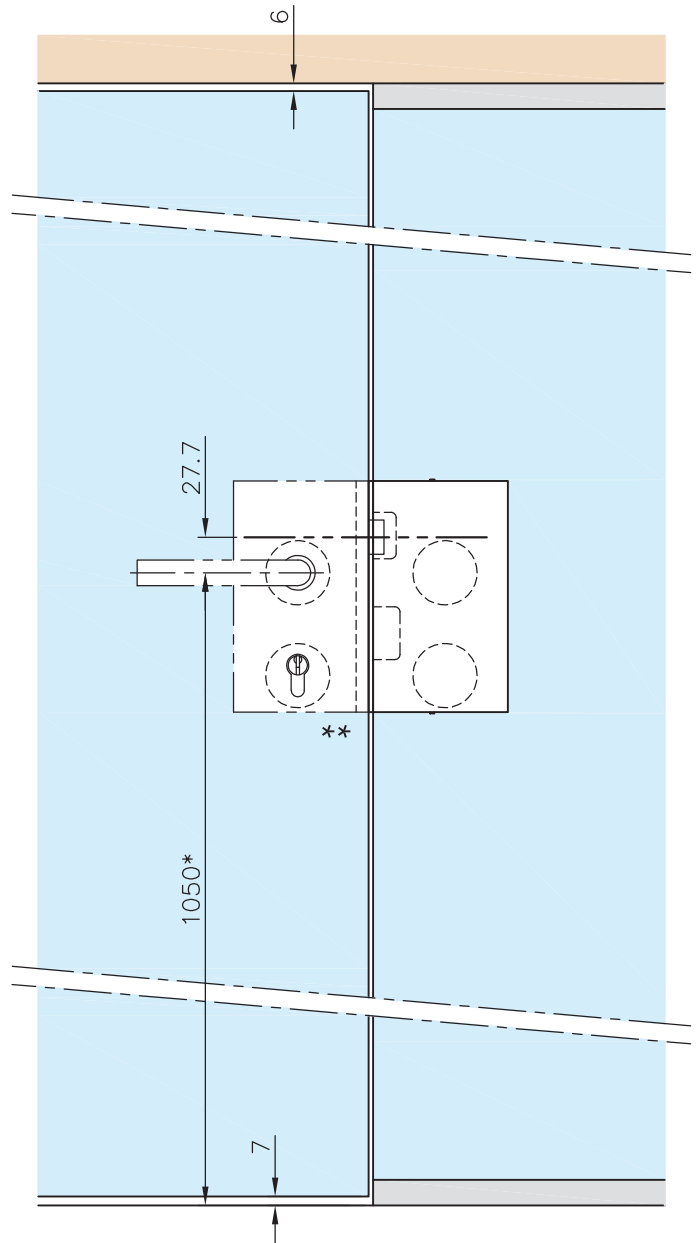
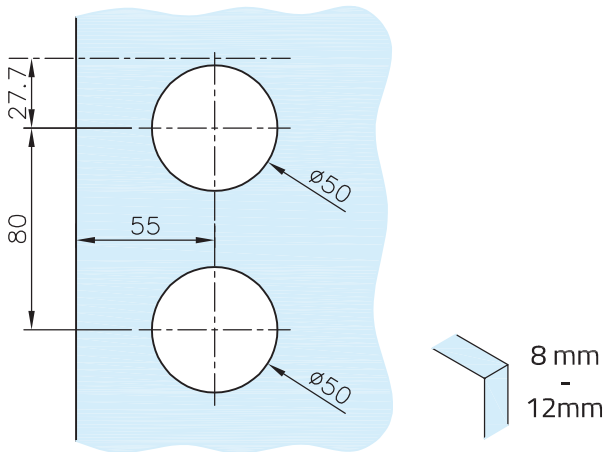


Mounting tools:



Glass Door Strike Box Installation Example (Left Hand Opening)

Glass preparation:



Important:

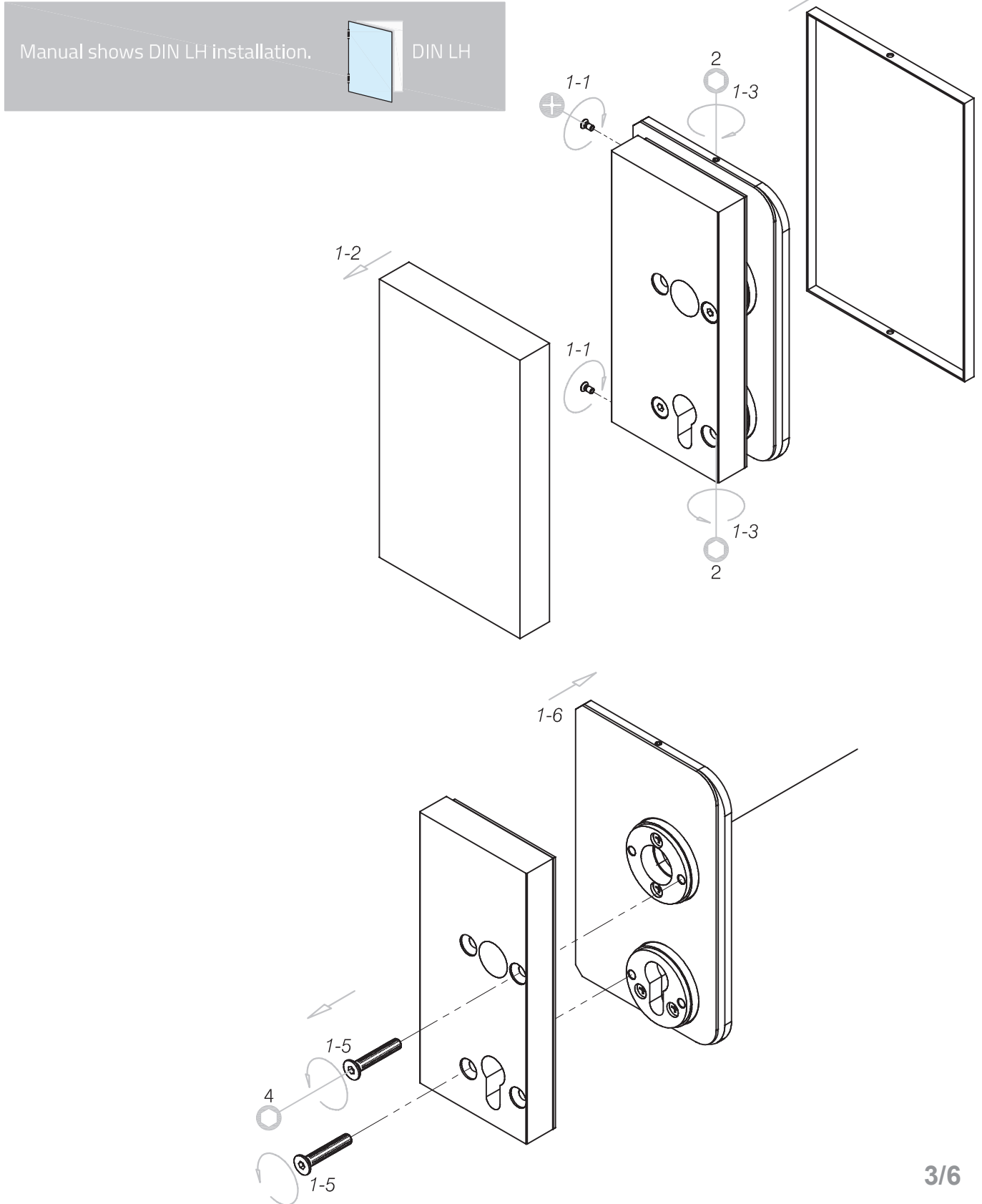
The glass clamping area must be cleaned before installation.
We recommend using glass cleaner
(Do not use thinners/solvents)!

*Recommended door handle height

**Example shows DIN LH door

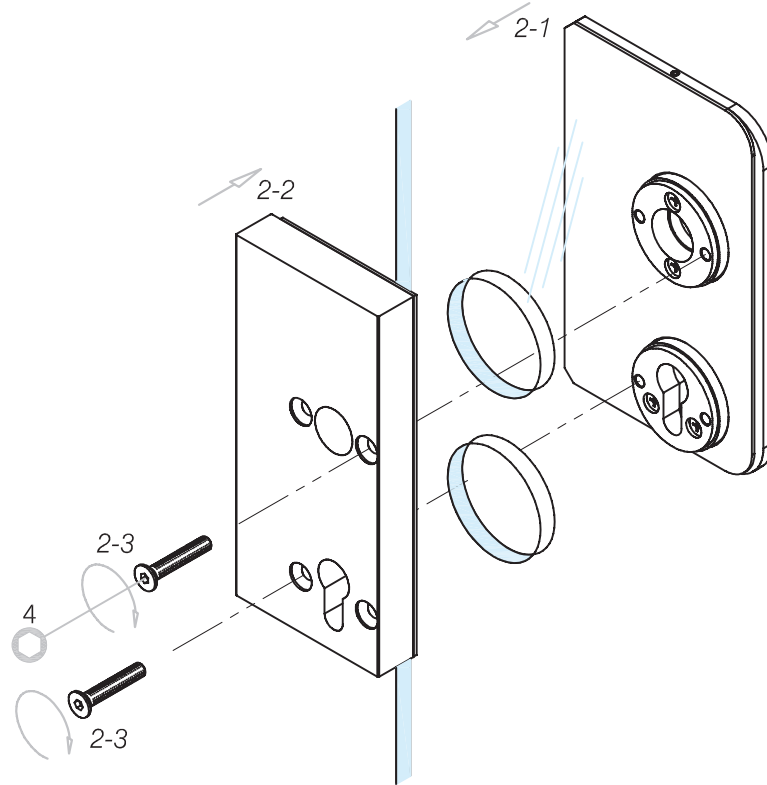
Glass Door Strike Box Installation Example (Left Hand Opening)

1. Strike box preparation:

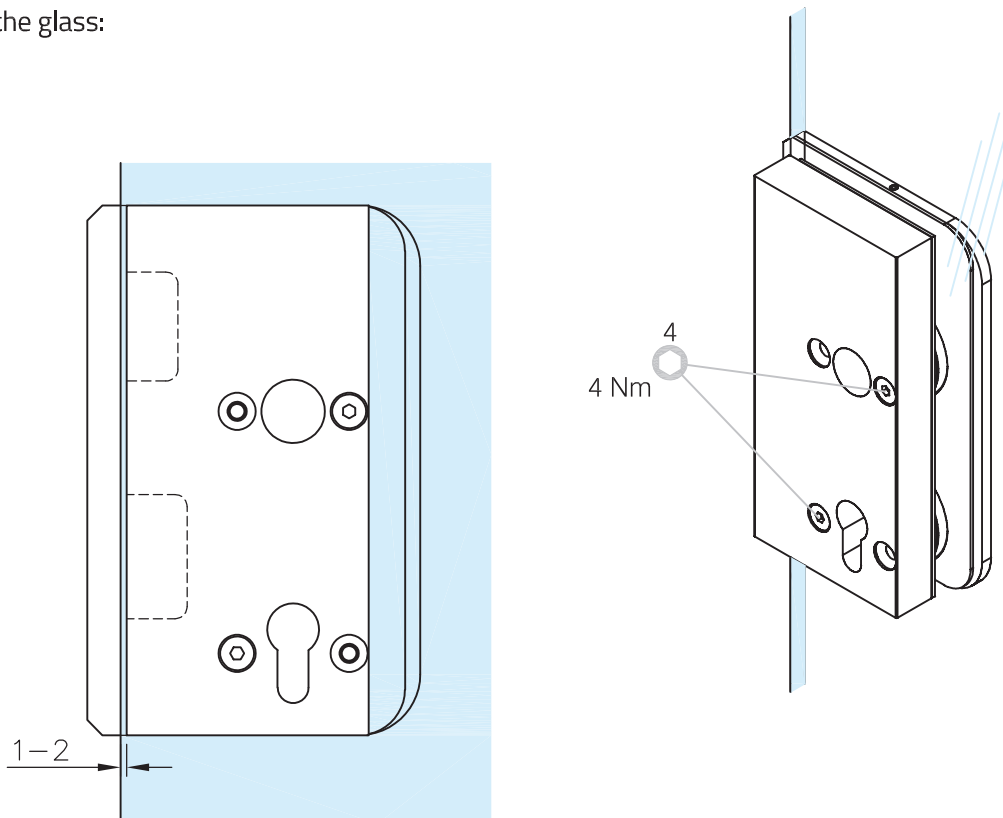


Glass Door Strike Box Installation Example (Left Hand Opening)

2. Assembly of the strike box:

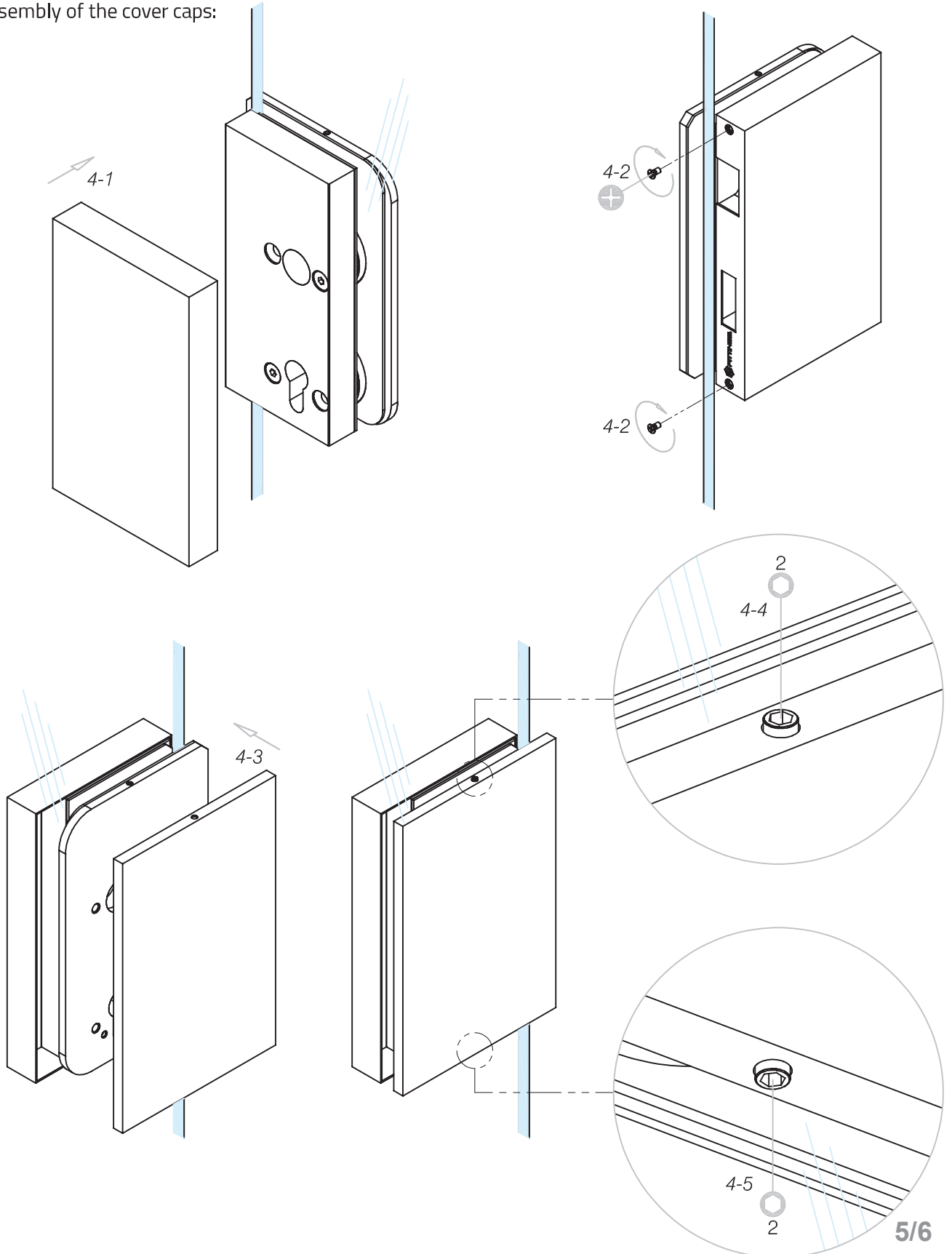


3. Align lock unit to the glass:



Glass Door Strike Box Installation Example (Left Hand Opening)

4. Assembly of the cover caps:



Glass Door Strike Box Installation Example (Left Hand Opening)

7. Function control with glass door lock:

