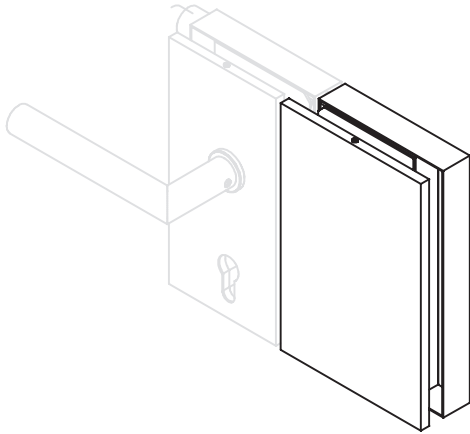
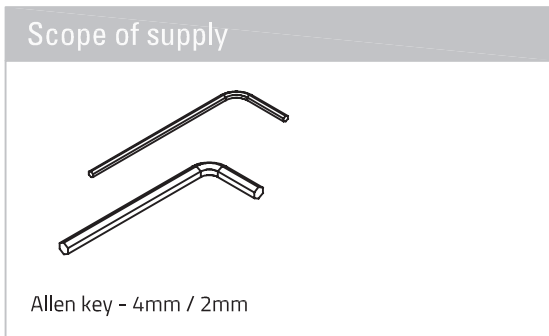


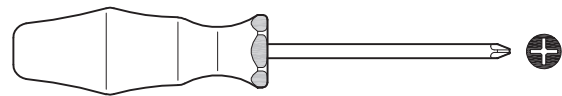
## Glass Door Strike Box Installation Example (*Right Hand Opening*)



45.2945.001.xx  
DIN RH

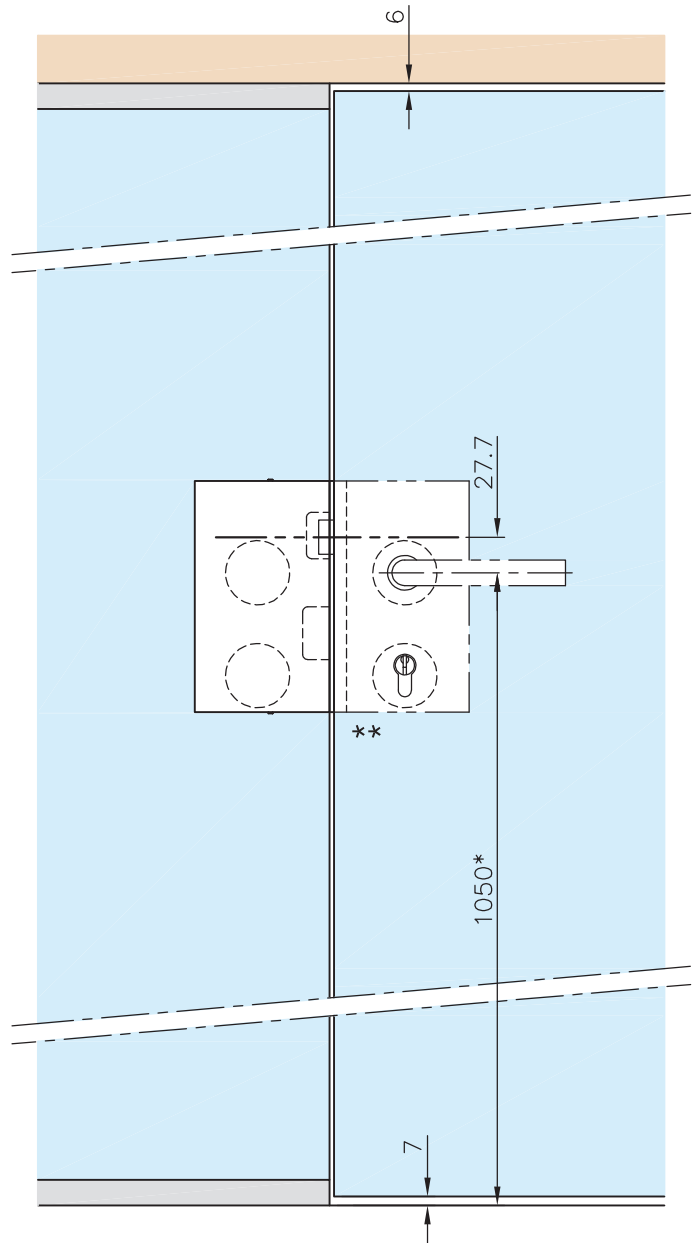
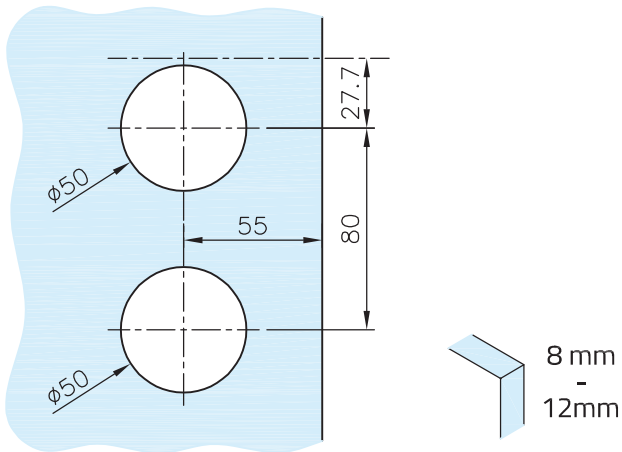


Mounting tools:



## Glass Door Strike Box Installation Example (Right Hand Opening)

Glass preparation:



**Important:**

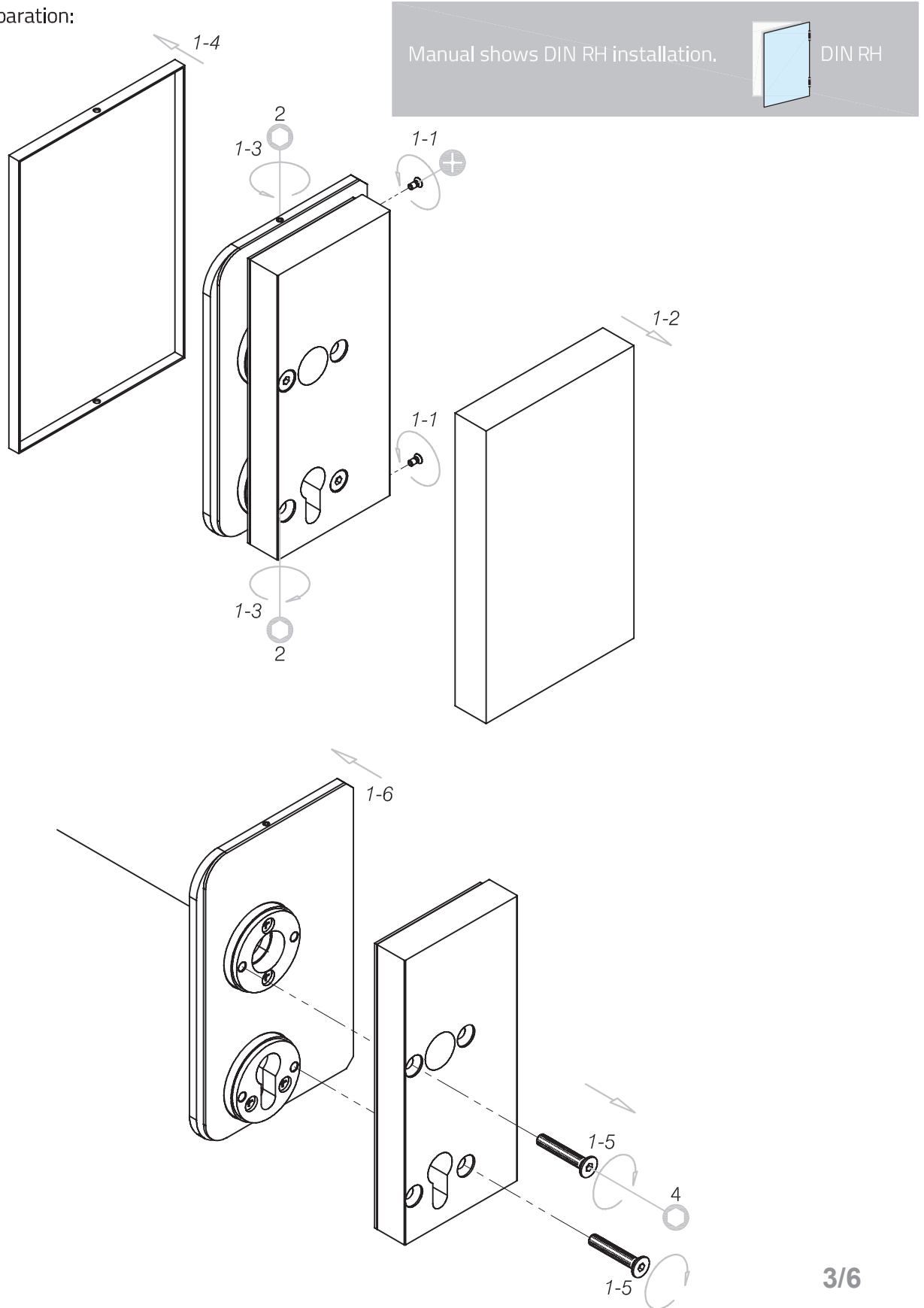
The glass clamping area must be cleaned before installation.  
We recommend using glass cleaner  
(Do not use thinners/solvents)!

\*Recommended door handle height

\*\*Example shows DIN RH door

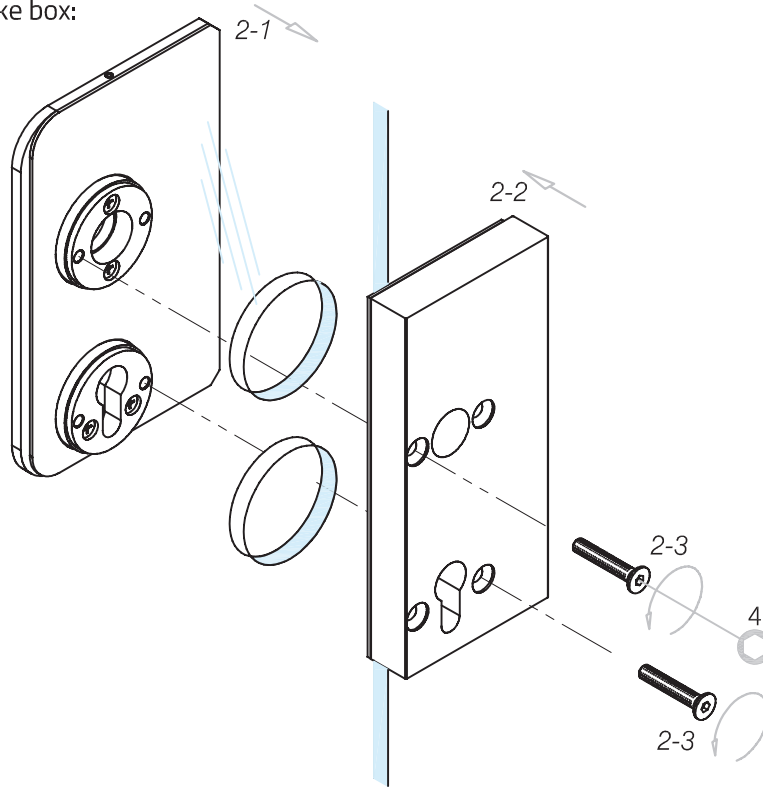
## Glass Door Strike Box Installation Example (Right Hand Opening)

1. Strike box preparation:

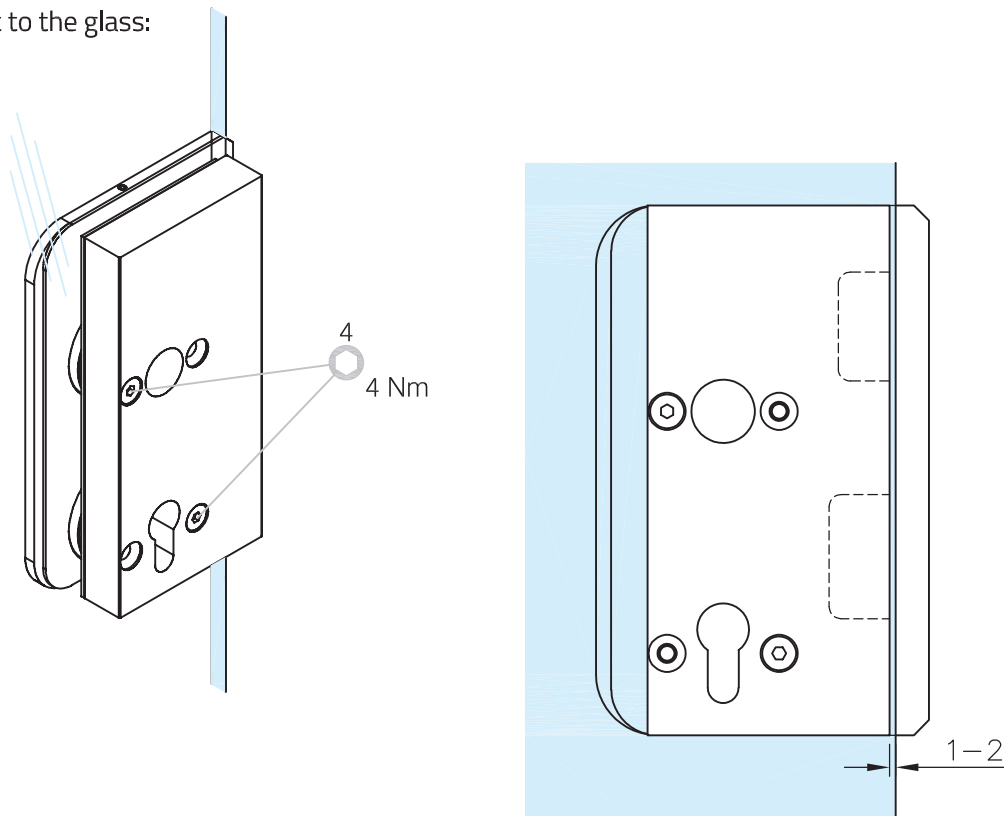


## Glass Door Strike Box Installation Example (Right Hand Opening)

2. Assembly of the strike box:

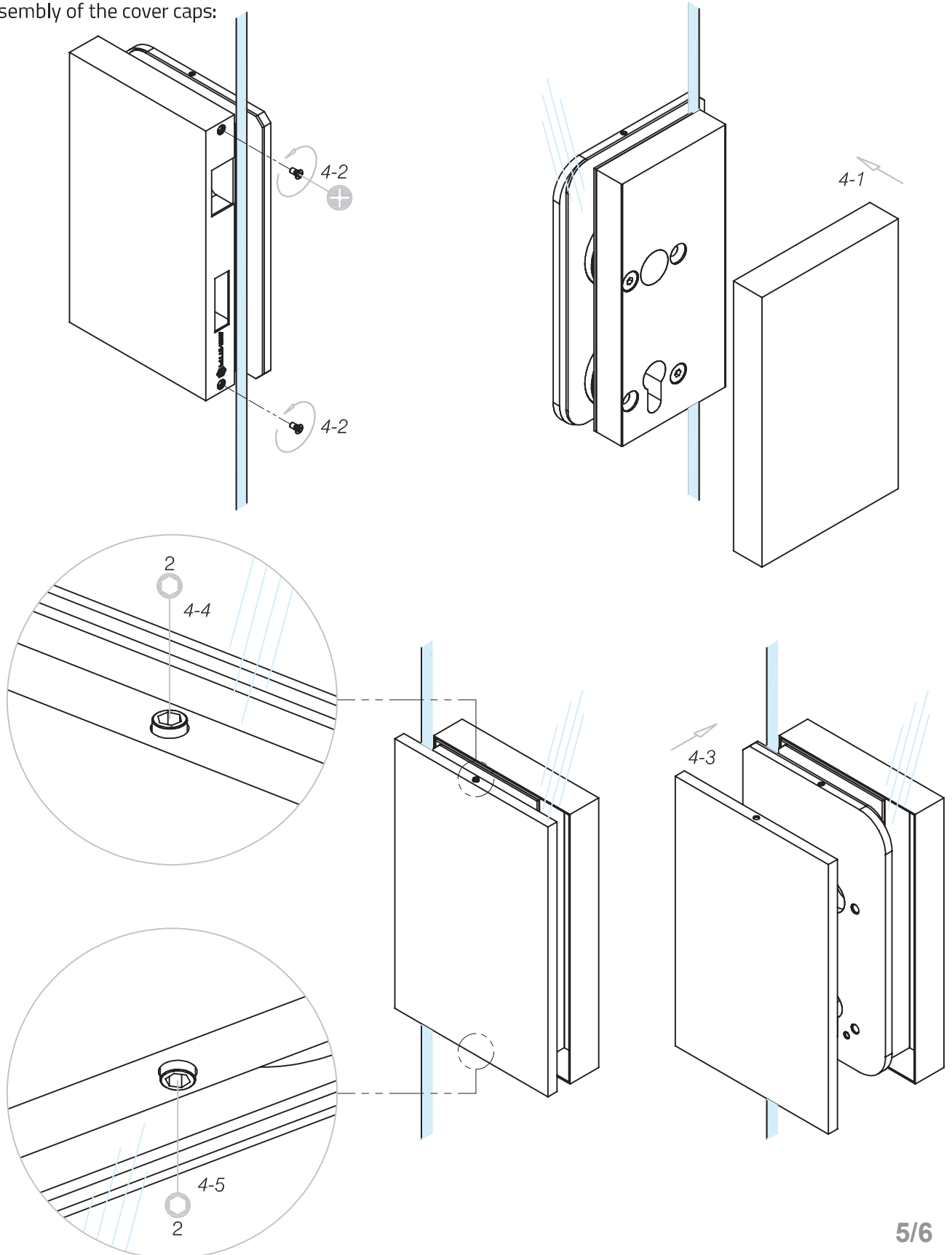


3. Align lock unit to the glass:



## Glass Door Strike Box Installation Example (Right Hand Opening)

4. Assembly of the cover caps:



## Glass Door Strike Box Installation Example (Right Hand Opening)

7. Function control with glass door lock:

