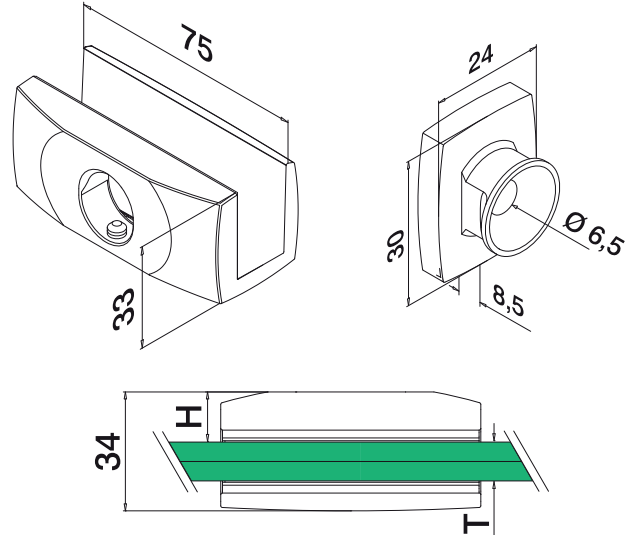


Glass Holder - Bottom Mount with Flat Adapter

Glass holder with flat mounting adapter in 316 grade stainless steel

Supplied with size specific rubber insert for glass infill



Code	Glass Thickness (T)	H
14.5508.000.02.GC	8 - 8.76mm	15 - 15.5mm
14.5510.000.02.GC	10 - 10.76mm	14.5mm
14.5554.000.02.GC	11.52mm	14mm
14.5512.000.02.GC	12 - 12.76mm	13.5mm
14.5564.000.02.GC	13.52mm	13mm

