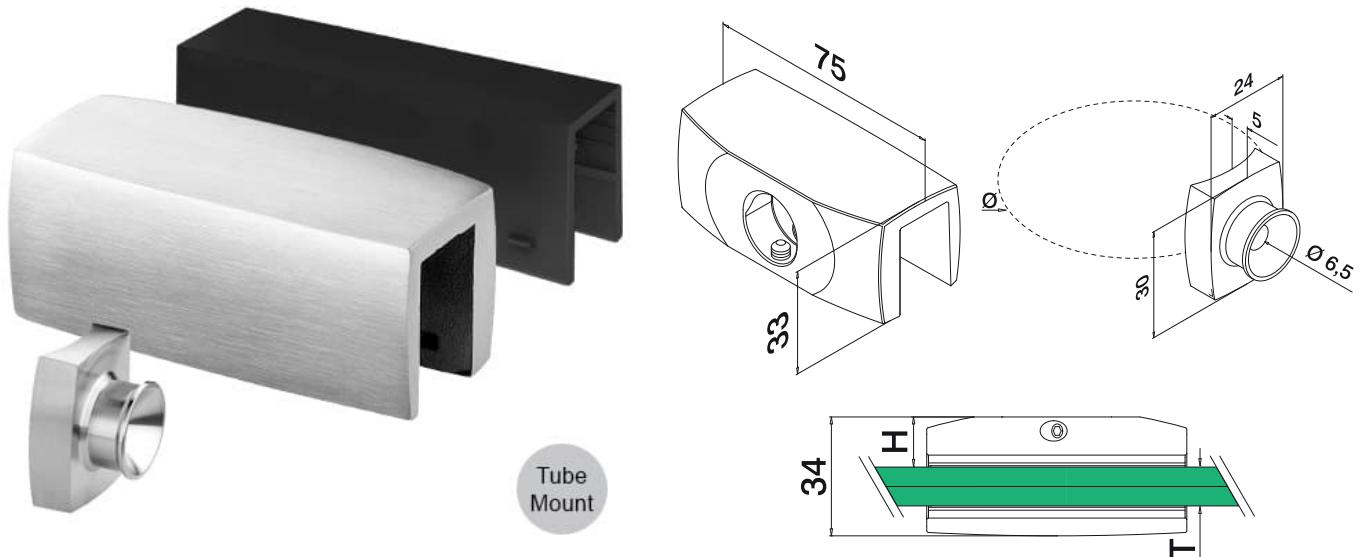


## Glass Holder - Top Mount with Tube Adapter

Glass holder with tube mounting adapter in 316 grade stainless steel

Supplied with size specific rubber insert for glass infill



42.4mm Ø	48.3mm Ø	Glass Thickness (T)	H
14.5508.042.01.GC	14.5508.048.01.GC	8 - 8.76mm	15 - 15.5mm
14.5510.042.01.GC	14.5510.048.01.GC	10 - 10.76mm	14.5mm
14.5554.042.01.GC	14.5554.048.01.GC	11.52mm	14mm
14.5512.042.01.GC	14.5512.048.01.GC	12 - 12.76mm	13.5mm
14.5564.042.01.GC	14.5564.048.01.GC	13.52mm	13mm

