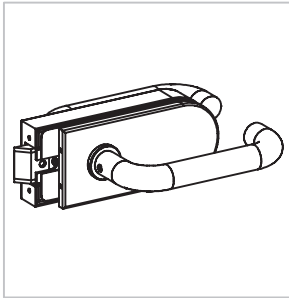
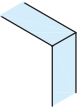




Glass Door Latch - D Shape - Lever Handle

45.2210.001.12



Options:

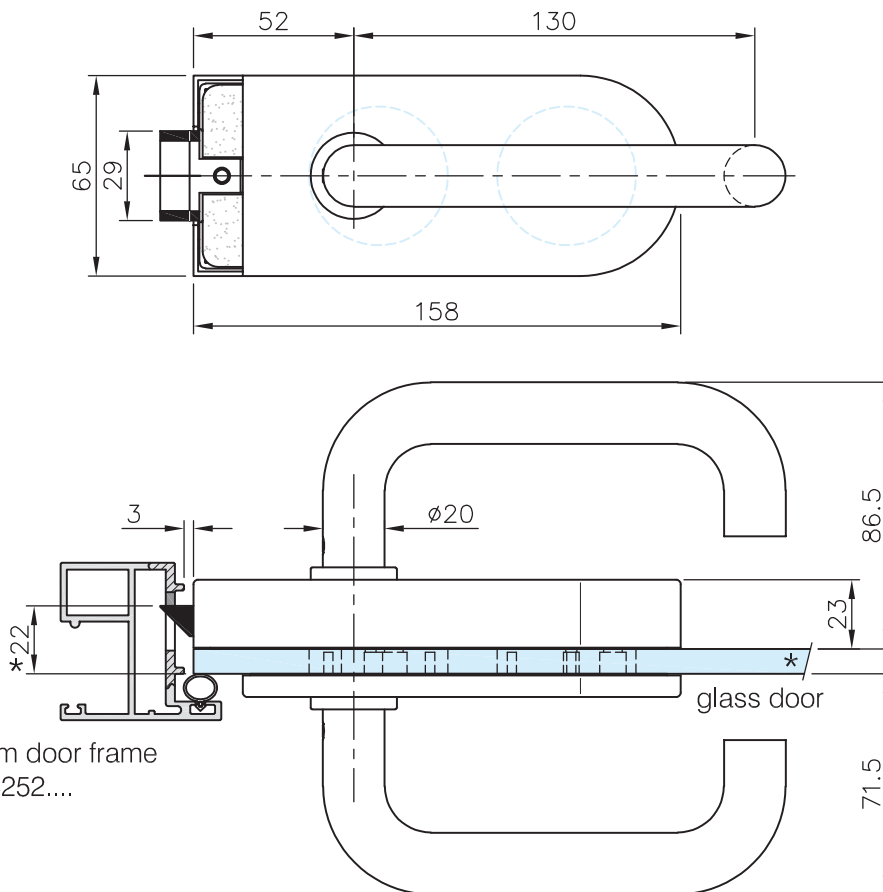
	8 mm - 10mm		DIN left + DIN right	
---	-------------------	---	----------------------------	---

Material: Stainless steel AISI 304

Weight: 1,23 kg

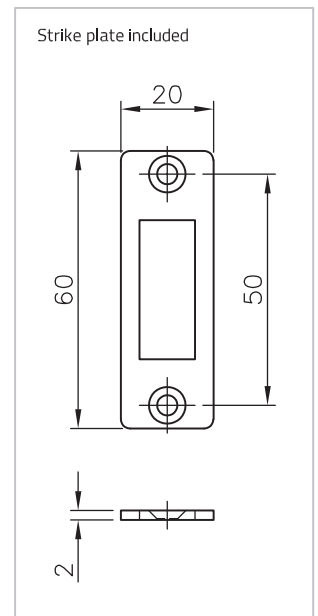
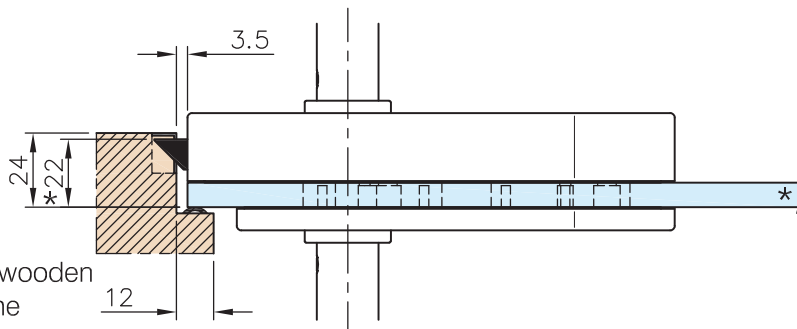
Finish: Stainless steel design

Please Note: Glass doors will require professional drilling at manufacture stage.



aluminium door frame
art.: 49.5252....

example wooden
door frame

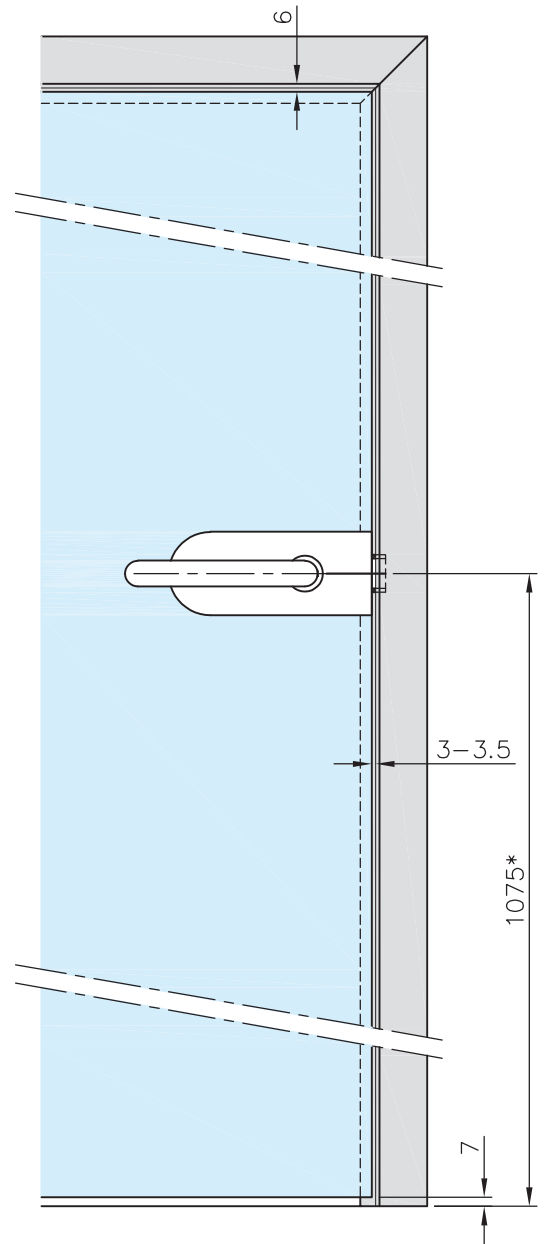
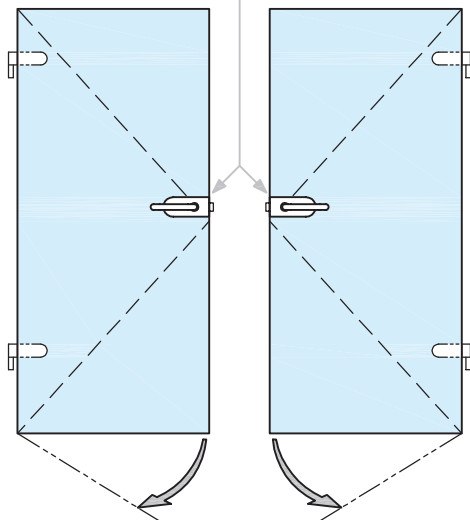
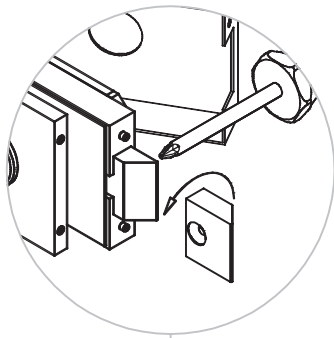
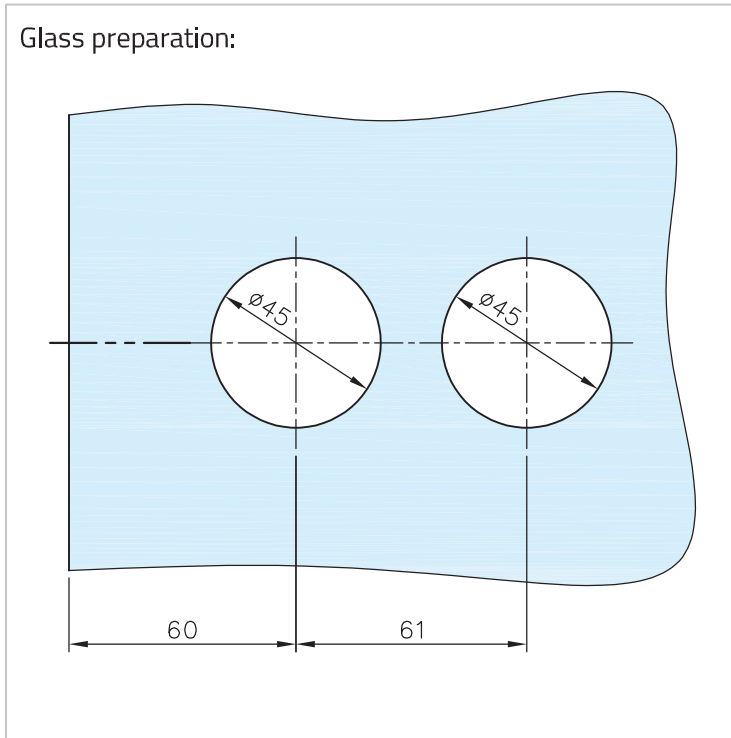


*drawing shows
8mm glass

Glass Door Latch - D Shape - Lever Handle

45.2210.001.12

Glass preparation:



*Recommended door handle height

Glass Door Latch - D Shape - Lever Handle

45.2210.001.12

Detail aluminium frame:

