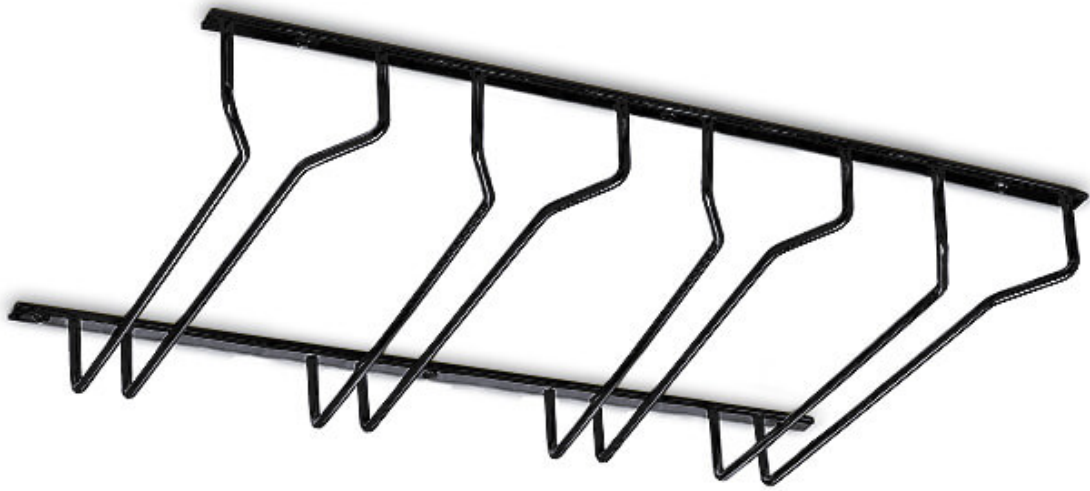
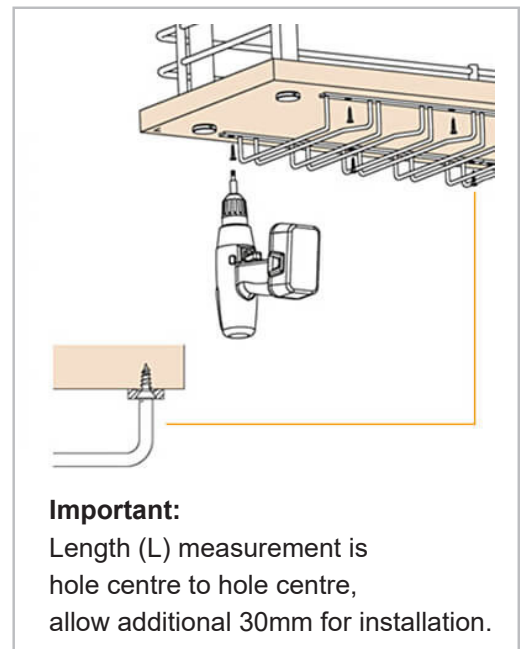
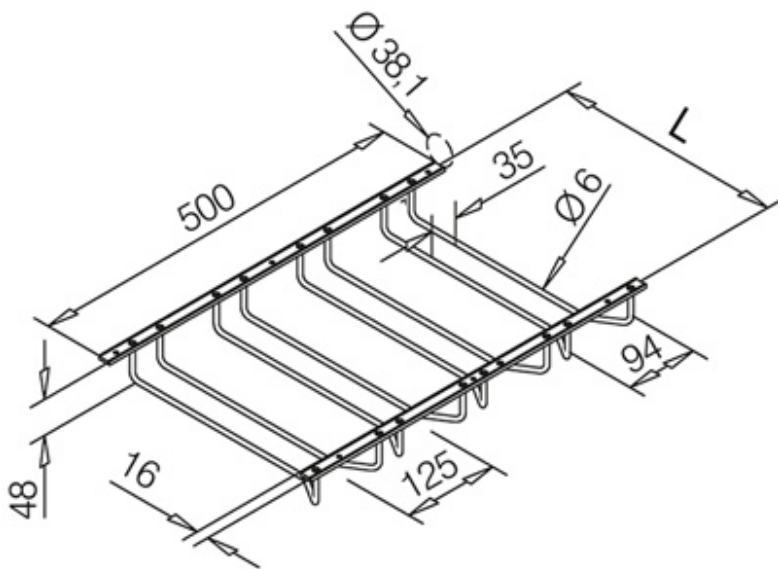


Glass Rack - 4 Column Hanger - Anthracite Finish



Code	Finish	L (mm)	Width (mm)	Material
11.0877.300.26	Anthracite	300	500	Zamak
11.0877.350.26	Anthracite	350	500	Zamak



Zamak Construction - PVD Coating

Zamak is a family of alloys with a base metal of zinc with elements of aluminium, magnesium and copper. PVD (Physical Vapour Deposition) coatings are usually harder and more corrosion resistant than coatings applied by electroplating and tend to have high temperature and good impact strength, excellent abrasion resistance and durability.

A note about dimensional information

Please be aware that dimensions published on our site should be treated as indicative.

We publish dimensions to the best of our ability, however manufacturers can, from time to time, make small alterations to their designs.

If your dimensional criteria is critical please do contact us prior to making your purchase to let us know and we will do our best to fulfil your requirements.