

Catenary Wall Bracket



Ideal for attaching a 6mm or 3 mm catenary (CTI) from a concrete wall or wooden beam

ADVANTAGES

- Available in 100 mm x 100 mm for concrete walls and wooden beams
- 11 mm diameter holes
- 65 mm hole spacing
- Large ring for easy wire rope attachment
- Zinc plated finish (minimum 5 μ)
- Ready to install
- Load rating: 340 kg @ 3:1 safety factor



Product code:
CAT-BRACKET-100MM

INSTALLATION



Step 1: Position the wall bracket against the wall and drill 4 holes at 10 mm diameter



Step 2: Insert M10 bolts anchors into the concrete wall. Bolts are not supplied. Be sure to follow the manufacturer's installation recommendations.

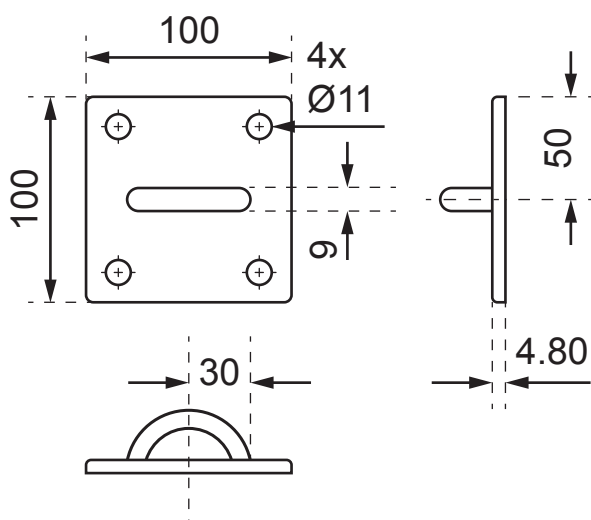


Step 3: Position the Wall Bracket onto the wall.

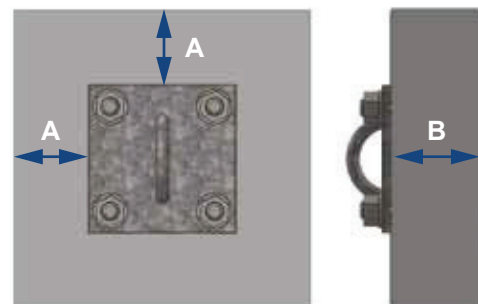


Step 4: Screw the washers and bolts and tighten them onto the wall bracket

PRODUCT SPECIFICATIONS



IMPORTANT RECOMMENDATIONS



! The minimum distance A and B from the edge of the concrete has to be in line with anchor bolt or screw manufacturer's recommendations.