

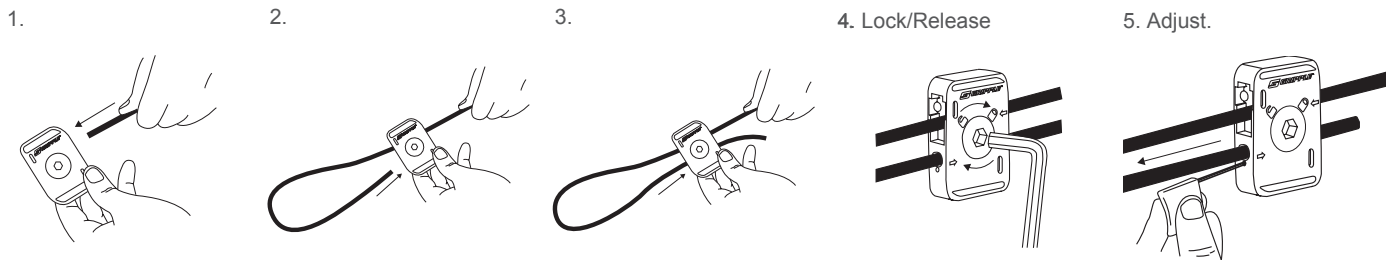
Designed for suspension and bracing of high load applications and catenary installations.

FEATURES / BENEFITS

- Quick and simple installation
- Integral lock secures wire in both channels simultaneously
- Designed for high load applications
- Easily tensioned and retensioned
- High load performance for safety and security
- Suitable for indoor and outdoor applications
- Supplied in ready-to-use kits

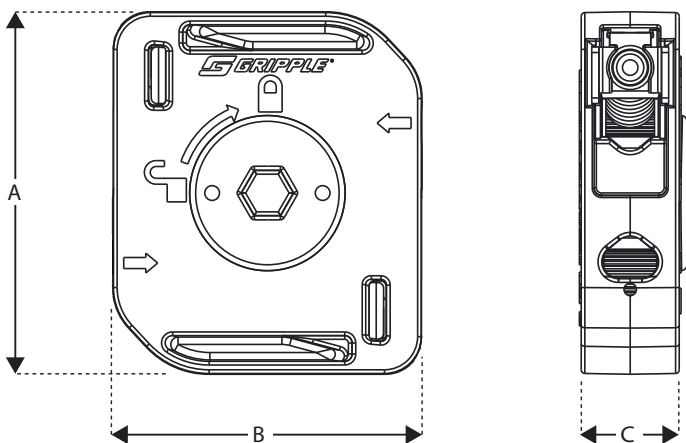


INSTALLATION & ADJUSTMENT



Ensure a minimum 75 mm of tail wire exits the hanger.

SPECIFICATION



Dimension	D2 (mm)	D3 (mm)	D4 (mm)	D6 (mm)
A	33	33	49	62
B	30.5	30.5	42	42
C	11.2	11.2	15	15

AVAILABLE END FIXINGS



For more options on available end fixings please contact us or visit www.gripple.com

SUBMITTAL INFORMATION

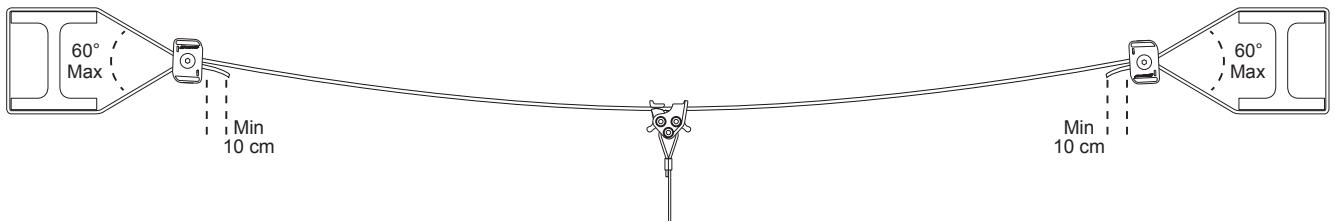
Safe Working Load:
Please refer to page two overleaf.

Wire Size:
D2 - 2 mm D4 - 4 mm
D3 - 3 mm D6 - 6 mm

Material:
Housing - Zinc
Roller - Ceramic
Spring - Steel
End Cap - Plastic

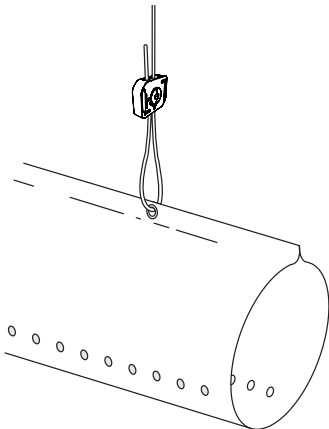
Designed for suspension and bracing of high load applications and catenary installations.

CATENARY



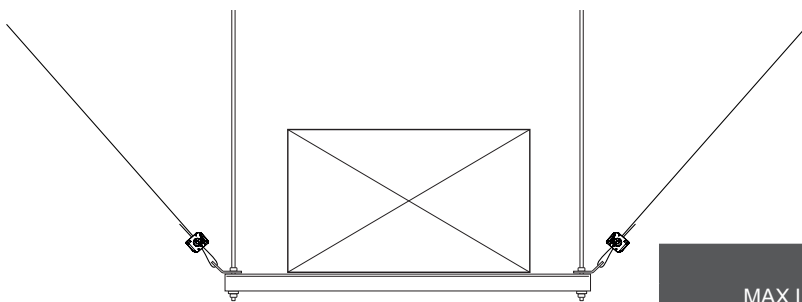
5:1 SAFETY FACTOR LOAD RATING FREE SPAN	D2	D3	D4	D6
	N/A	30 kg / 66 lbs	N/A	100 kg / 220 lbs

HANGER



5:1 SAFETY FACTOR	D2	D3	D4	D6
	45 kg / 100 lbs	90 kg / 200 lbs	225 kg / 495 lbs	350 kg / 770 lbs

BRACING



MAX LOAD PER WIRE ROPE	D2	D3	D4	D6
	1.76 kN (Max)	3.53 kN (Max)	7.35 kN (Max)	14.71 kN (Max)

If wire rope is to be used as a secondary load support please refer to Gripple recommendations for hanging at angles.