

Stainless Steel Hanger



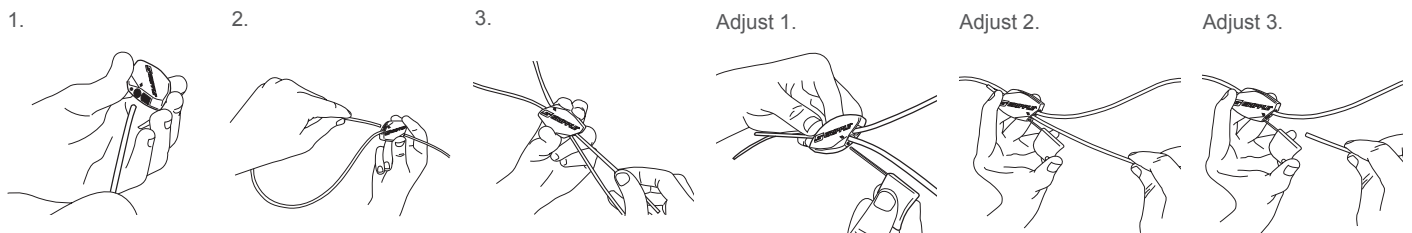
The Stainless Steel Hangers are used to suspend a variety of HVAC, mechanical and electrical services in the food industry and high humidity environments.

FEATURES / BENEFITS

- Stainless steel housing and springs are corrosion resistant and durable in humid and saturated environments
- Ceramic rollers provide extra strength and corrosion resistance
- Aesthetically discreet and lightweight
- Available in two sizes with load ratings of 45 kg (No.2) and 90 kg (No.3)
- Supplied as a ready to use kit

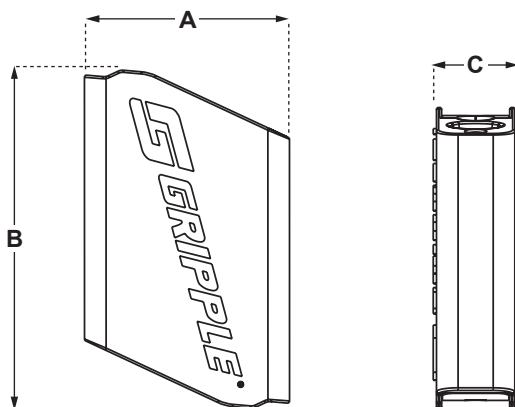


INSTALLATION & ADJUSTMENT



Ensure a minimum 75 mm of tail wire exit the hanger.

SPECIFICATION



Dimension	No.2 (mm)	No.3 (mm)
A	17.4	19
B	24.2	27.7
C	8	8

AVAILABLE END FIXINGS



For more options on available end fixings please contact us or visit www.griipple.com

SUBMITTAL INFORMATION

Safe Working Load:

Ambient Load ratings

No.2 - 45 kg (5:1)

No.3 - 90 kg (5:1)

Material:

Housing - 316L Stainless Steel

Roller - Sintox FA

Spring - Stainless Steel (type 302)

End Cap - PP CP UV Stabilised