

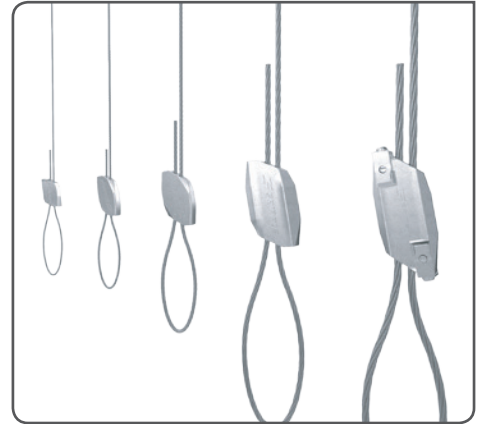
Standard Hanger Range



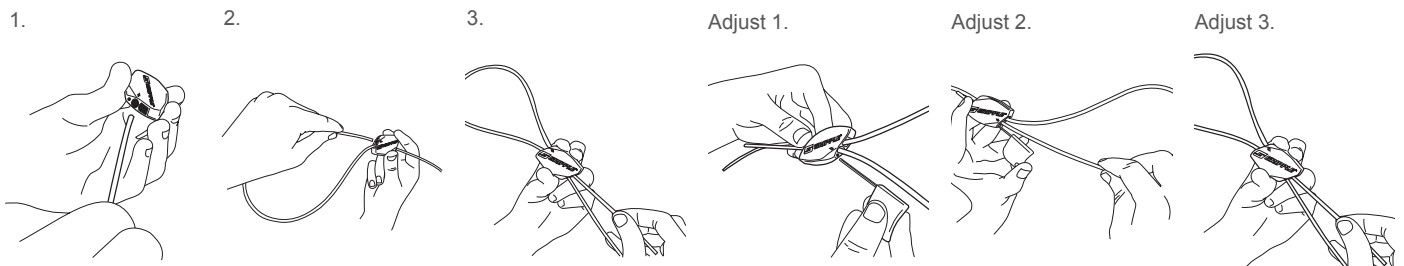
Used to suspend a variety of HVAC, mechanical and electrical services from different substrates.

FEATURES / BENEFITS

- Ideal for fast suspension of cable containment, pipework, air conditioning
- Up to six times faster to install than traditional hanging systems
- Versatile and simple to use
- Strong, safe and industry approved
- Aesthetically discreet and lightweight
- Supplied in ready-to-use kits, comprising a length of wire, pre-crimped End Fixing, Gripple Hanger and Setting Key

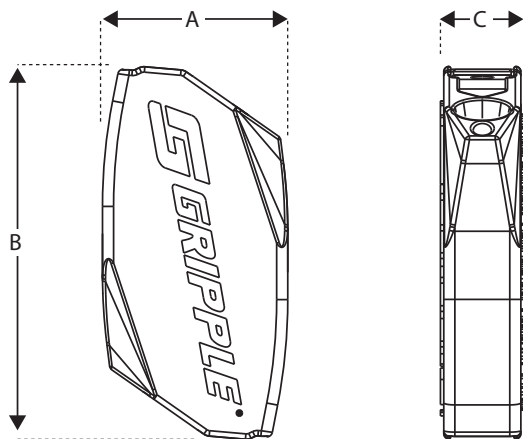


INSTALLATION & ADJUSTMENT



Ensure a minimum 75 mm of tail wire exits the hanger.

SPECIFICATION



Dimension	No.1 (mm)	No.2 (mm)	No.3 (mm)	No.4 (mm)	No.5 (mm)
A	16	18	26	37	43
B	24	34	43	62	106
C	6	8	8	11	13

AVAILABLE END FIXINGS



For more options on available end fixings please contact us or visit www.gripple.com

SUBMITTAL INFORMATION

Safe Working Load:

No.1 - 10 kg No.4 - 225 kg
 No.2 - 45 kg No.5 - 325 kg
 No.3 - 90 kg

All with a 5:1 safety factor

Material:

Housing - Type ZA2 Zinc
 Wedge - Sintered steel hardened to min. 56 Rockwell C
 Spring - Stainless Steel (Type 302)
 End Cap - UV stabilised homopolymer propylene