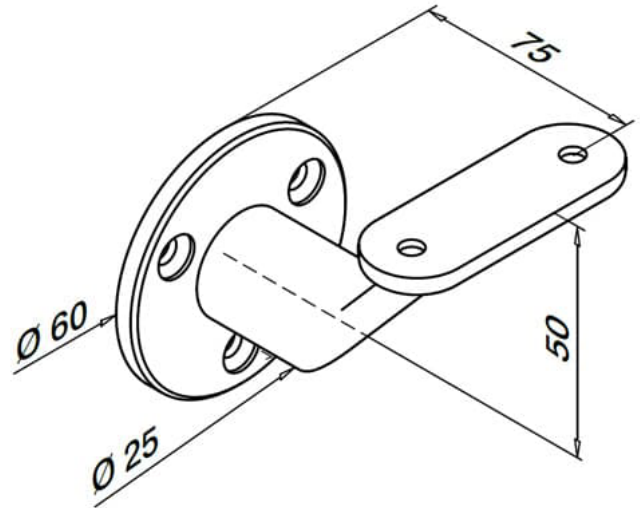


Handrail Bracket for Wall Mount to Flat Support - Mod 0126



| Code | Material | Application |
|---------------|---------------------------|-------------|
| 130126-000-12 | 304 grade stainless steel | Indoor |
| 140126-000-12 | 316 grade stainless steel | Outdoor |

Mounting type: Flat surfaces and walls

Reception: Flat and square profile handrail

Bore diameter mounting side: Ø8.5mm

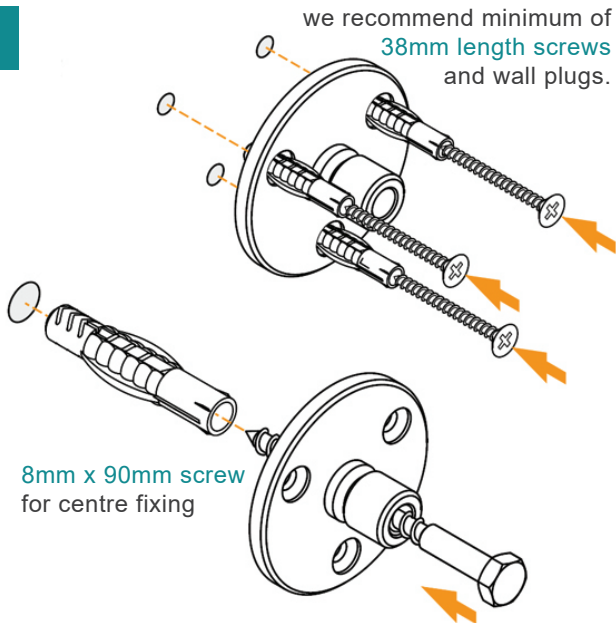
Bore diameter reception side: Ø5.5mm

*Note: mounting screws and plugs not included.

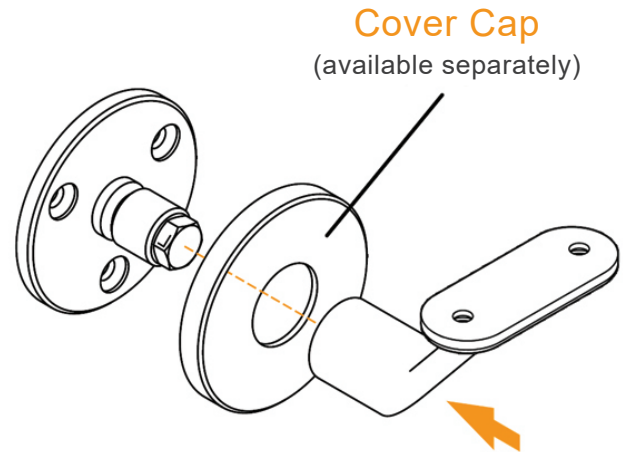
Handrail Bracket for Wall Mount to Flat Support - Mod 0126

Installation Advice:

1

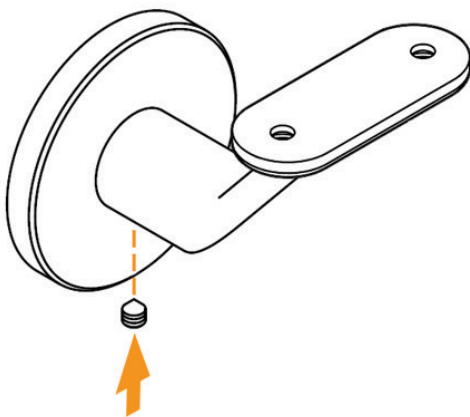


2

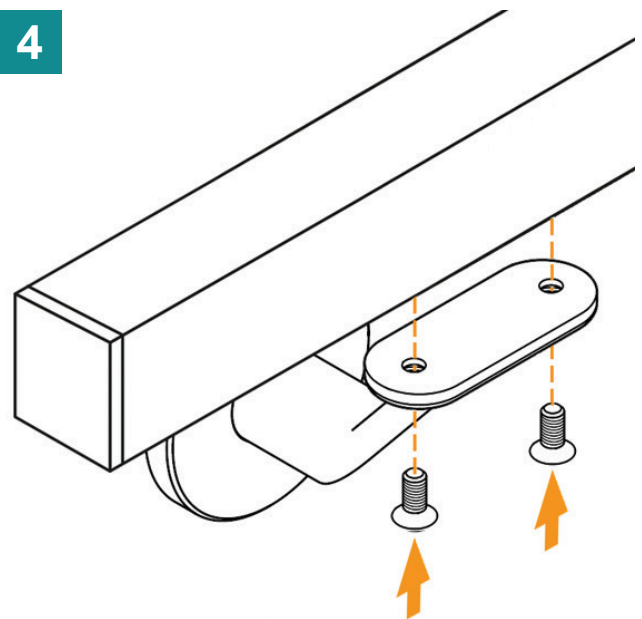


1. You can choose to mount the plate bracket using either 3 countersunk screws or using a strong bolt screw through the centre fixing point. If you want the strongest fixing possible do both.
2. Place bracket arm on to wall bracket. (optional **cover plate** for a neat and tidy finish available separately)

3



4



3. Secure bracket arm in place by tightening the underside grub screw.
4. Handrail is attached using two **M5 x 20mm countersunk hexagon head screws**.