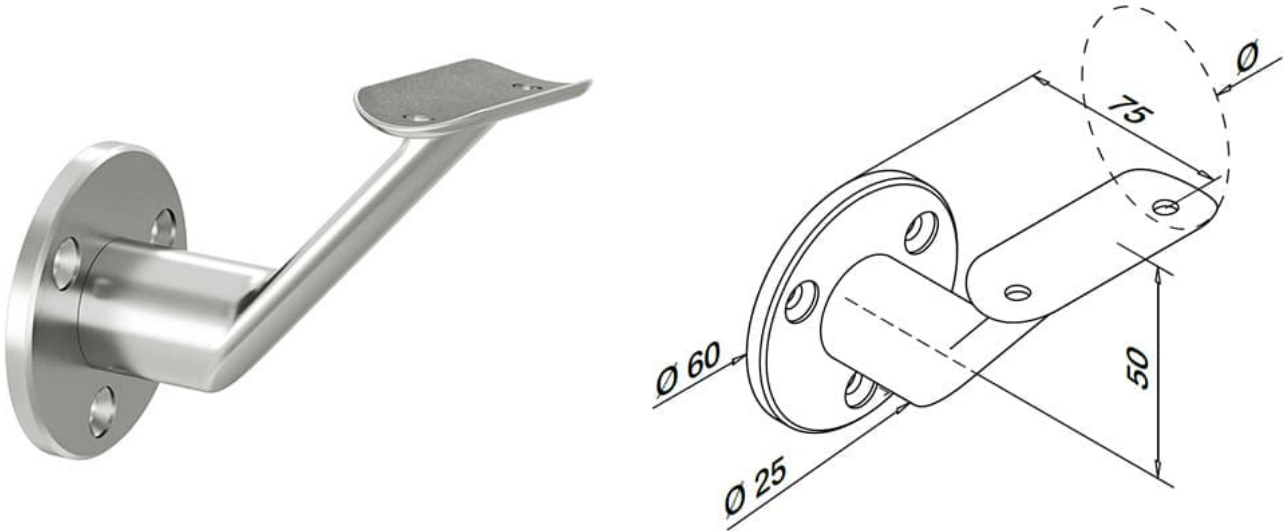


## Handrail Bracket for Wall Mount to Tube Support - Mod 0126



Code	Handrail Ø	Material	Application
130126-042-12	42.4mm	304 grade stainless steel	Indoor
130126-048-12	48.3mm	304 grade stainless steel	Indoor
140126-042-12	42.4mm	316 grade stainless steel	Outdoor

Mounting type: Flat surfaces and walls

Reception: 42.4mm and 48.3mm tubular handrail

Bore diameter mounting side: Ø8.5mm

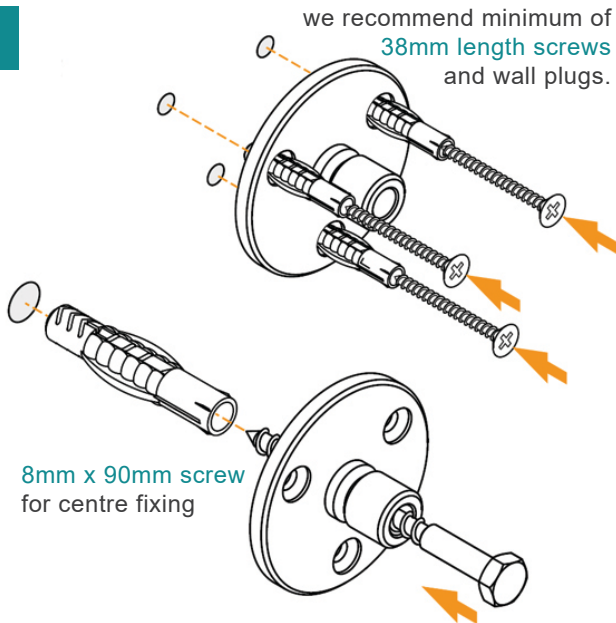
Bore diameter reception side: Ø5.5mm

\*Note: mounting screws and plugs not included.

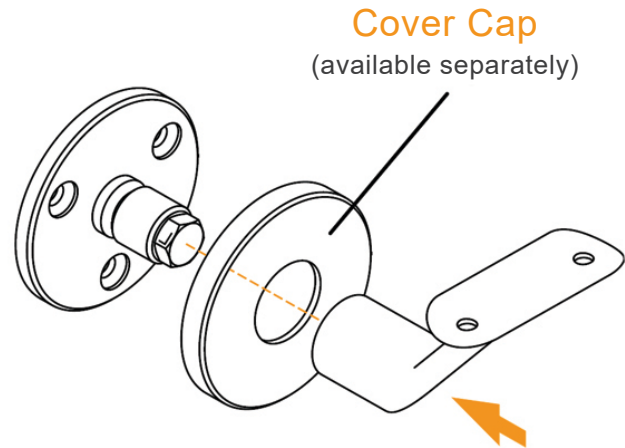
## Handrail Bracket for Wall Mount to Tube Support - Mod 0126

### Installation Advice:

**1**

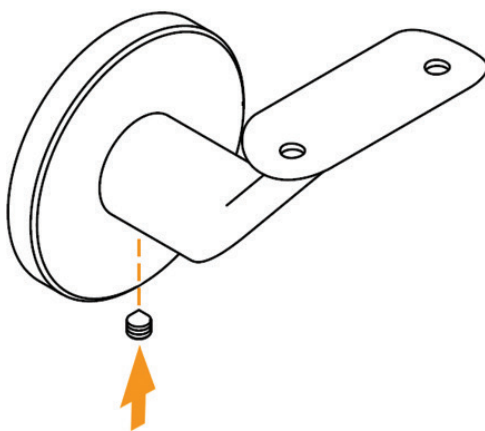


**2**

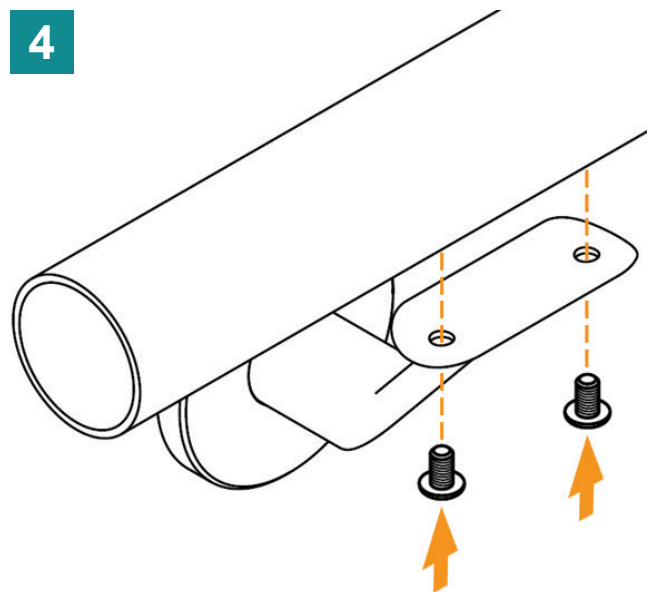


1. You can choose to mount the plate bracket using either 3 countersunk screws or using a strong bolt screw through the centre fixing point. If you want the strongest fixing possible do both.
2. Place bracket arm on to wall bracket. (optional **cover plate** for a neat and tidy finish available separately)

**3**



**4**



3. Secure bracket arm in place by tightening the underside grub screw.
4. Handrail is attached using two **M5 x 16mm hexagon head button screws**.