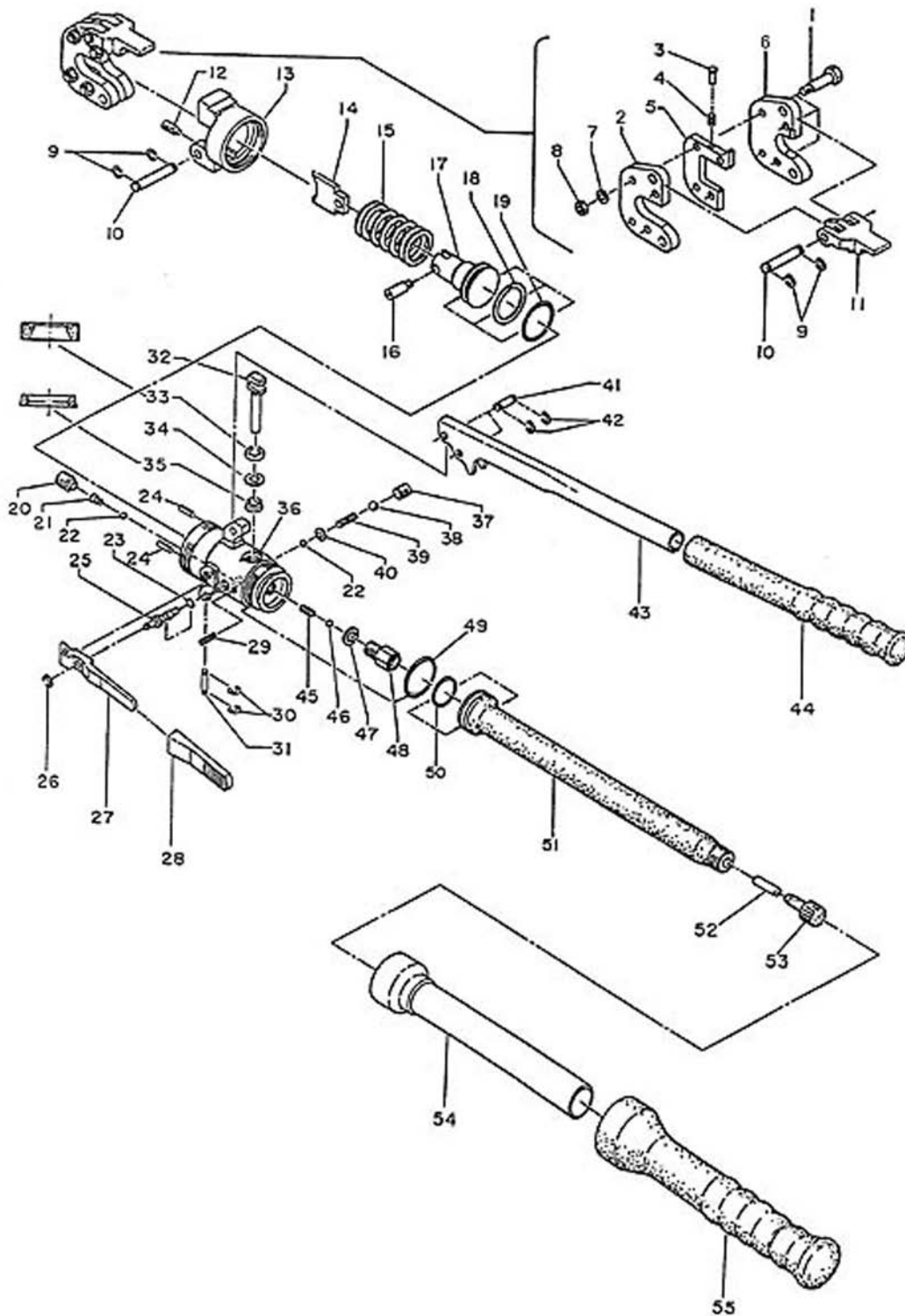


## HC20 Hydraulic Wire Rope Cutter Spares



## HC20 Hydraulic Wire Rope Cutter Spares

Key	Part Code	Description	Qty
1/01	16-03B	Shoulder Bolt	4
1/02	20-04	Main Head	1
1/03	20-71	Slide Pin	1
1/04	85-37	Spring (144)	1
1/05	20-70	Spacer	1
1/06	20-02	Head Shear	1
1/07	16-02	M6 Lock Washer	4
1/08	16-01	M6 Hex Nut	4
1/09	16-09	CE-8 Snap Ring	4
1/10	16-10	Pin (46)	2
1/11	16-11	Latch	1
1/12	55A-11	M5 x 10 Screw (DP)	1
1/13	20A-01	Body Head	1
1/14	20-07	Blade	1
1/15	16-17	Spring (75)	1
1/16	16-19	Blade Screw	1
1/17	16-21	Ram	1
1/18	16-22	P-29 Back-Up Ring (BC)	1
1/19	16-23	P-29 O-Ring (A)	1
1/20	16-24	Valve screw (3)	1
1/21	16-25	Spring (2)	1
1/22	16-26	7/32" Ball	2
1/23	16-36	P-3 O-Ring (A)	1
1/24	40A-03	2.5 x 10 Dowel Pin (D)	2
1/25	16-35	Release Valve Stem	1
1/26	16-33	E-3.2 Snap Ring	1
1/27	20-08	Release Lever	1
1/28	20-09	Release Lever Insulation	1
1/29	16-37	Spring (77)	1
1/30	16-28	E-2.5 Snap Ring	2
1/31	16-27	Pin (26)	1
1/32	16-47	Pump Piston	1
1/33	40A-05	VC8 Oil Seal	1
1/34	85-33	P-8 Back-Up Ring (BC)	1
1/35	16-44	PS-8 Pent Seal	1
1/36	20A-02	Body	1
1/37	16-41	M10 x 10 Screw (FP)	1
1/38	16-40	9/32" Ball	1
1/39	16-39	Spring (76)	1
1/40	16-38	M3 Flat Washer	1
1/41	16-29	Pin (47)	2
1/42	16-30	CE-6 Snap Ring	4
1/43	16-31	Pump Handle	1
1/44	20-10	Pump Handle Grip	1
1/45	16-48	Spring (4)	1
1/46	16-49	3/16" Ball	1
1/47	16-50	Copper Gasket (6)	1
1/48	16-51	Suction Valve Screw Ass'y	1
1/49	85-51	S-36 O-Ring	1
1/50	16-55	P-26 O-Ring (A)	1
1/51	20A-03	Oil Reservoir (4)	1
1/52	ROB-25	Magnet	1
1/53	410-55	Reservoir Cap	1
1/54	16-63	Body Handle	1
1/55	20-11	Body Handle Grip	1