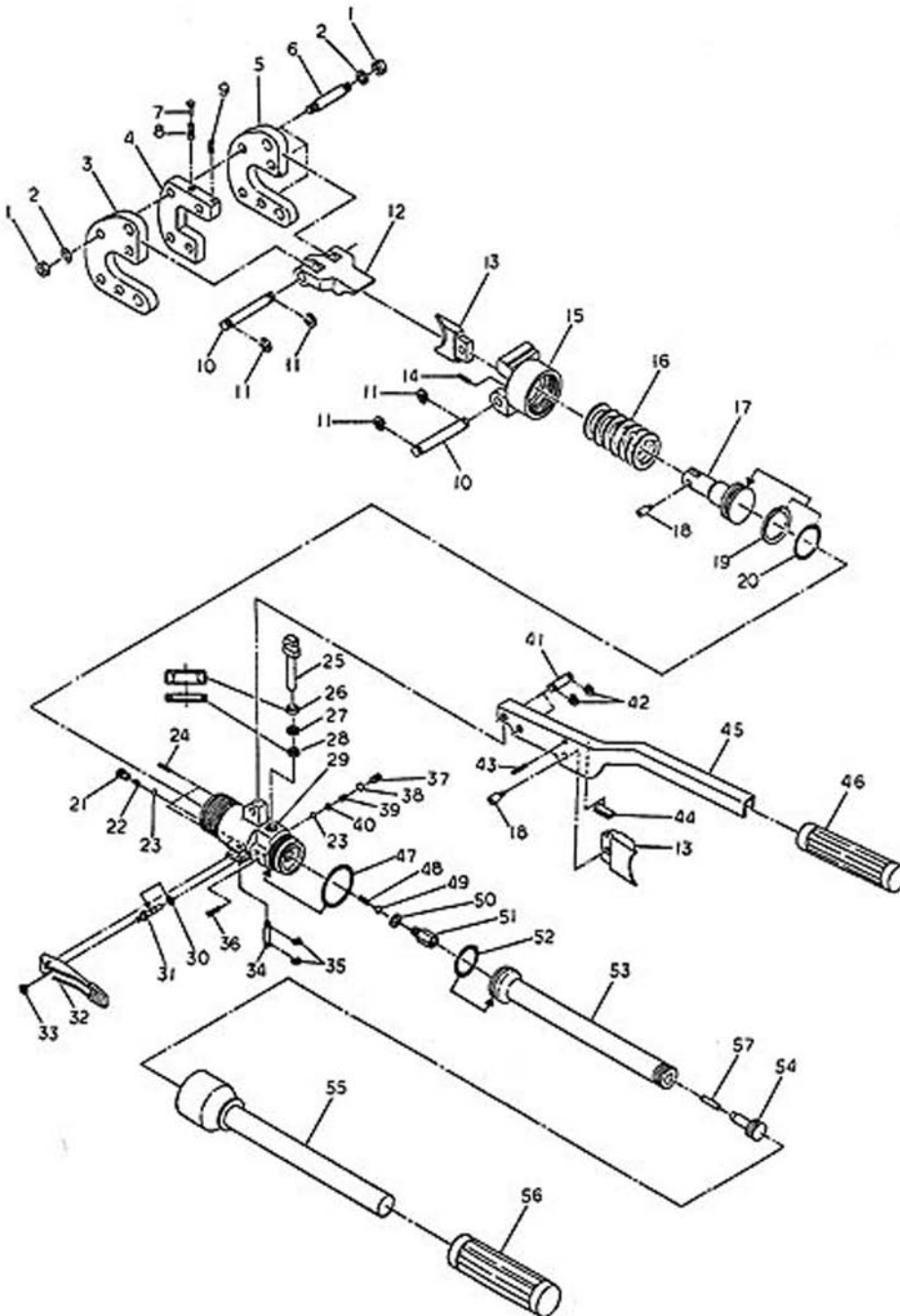


HC24 Hydraulic Wire Rope Cutter Spares



HC24 Hydraulic Wire Rope Cutter Spares

Key	Part Code	Description	Qty
2/01	40-24	M8 Hex Nut	8
2/02	40-25	M8 Lock Washer	8
2/03	24-02	Main Head	1
2/04	24-03	Spacer	1
2/05	24-04	Head Shear	1
2/06	24-05	Stud Bolt (21)	4
2/07	20-71	Slide Pin	1
2/08	85-37	Spring (144)	1
2/09	5-09	2 x 10 Drive Pin	1
2/10	24-06	Pin (142)	2
2/11	40-16	CE-10 Snap Ring	4
2/12	24-07	Latch	1
2/13	24-08	Blade	2
2/14	55A-11	M5 x 10 Screw (DP)	1
2/15	24-09	Body Head	1
2/16	24-10	Spring (375)	1
2/17	24-11	Ram	1
2/18	16-19	Blade Screw	2
2/19	40-43	P-32 Back-Up Ring (BC)	1
2/20	40-44	P-32 O-Ring	1
2/21	16-24	Valve screw (3)	1
2/22	16-25	Spring (2)	1
2/23	16-26	7/32" Ball	2
2/24	40A-03	2.5 x 10 Dowel Pin (D)	2
2/25	24-12	Pump Piston	1
2/26	40A-05	VC8 Oil Seal	1
2/27	85-33	P-8 Back-Up Ring (BC)	1
2/28	16-44	PS-8 Pent Seal	1
2/29	24-13	Body	1
2/30	16-36	P-3 O-Ring (A)	1
2/31	24-14	Release Valve Stem	1
2/32	24-15	Release Lever	1
2/33	16-33	E-3.2 Snap Ring	1
2/34	16-27	Pin (26)	1
2/35	16-28	E-2.5 Snap Ring	2
2/36	51-17	Spring (371)	1
2/37	40-47	M10 x 12 Screw (FP)	1
2/38	16-40	9/32" Ball	1
2/39	16-39	Spring (76)	1
2/40	16-38	M3 Flat Washer	1
2/41	51-23	Pin (131)	2
2/42	16-30	CE-6 Snap Ring	4
2/43	24-01	4 x 16 Dowel Pin (G)	1
2/44	24-16	Rubber	1
2/45	24-17	Pump Handle	1
2/46	51-25	Pump Handle Grip	1
2/47	85-51	S-36 O-Ring	1
2/48	16-48	Spring (4)	1
2/49	16-49	3/16" Ball	1
2/50	16-50	Copper Gasket (6)	1
2/51	16-51	Suction Valve Screw Ass'y	1
2/52	16-55	P-26 O-Ring (A)	1
2/53	20A-03	Oil Reservoir (4)	1
2/54	410-55	Reservoir Cap	1
2/55	24-18	Body Handle	1
2/56	24-19	Body Handle Grip	1
2/57	ROB-25	Magnet	1