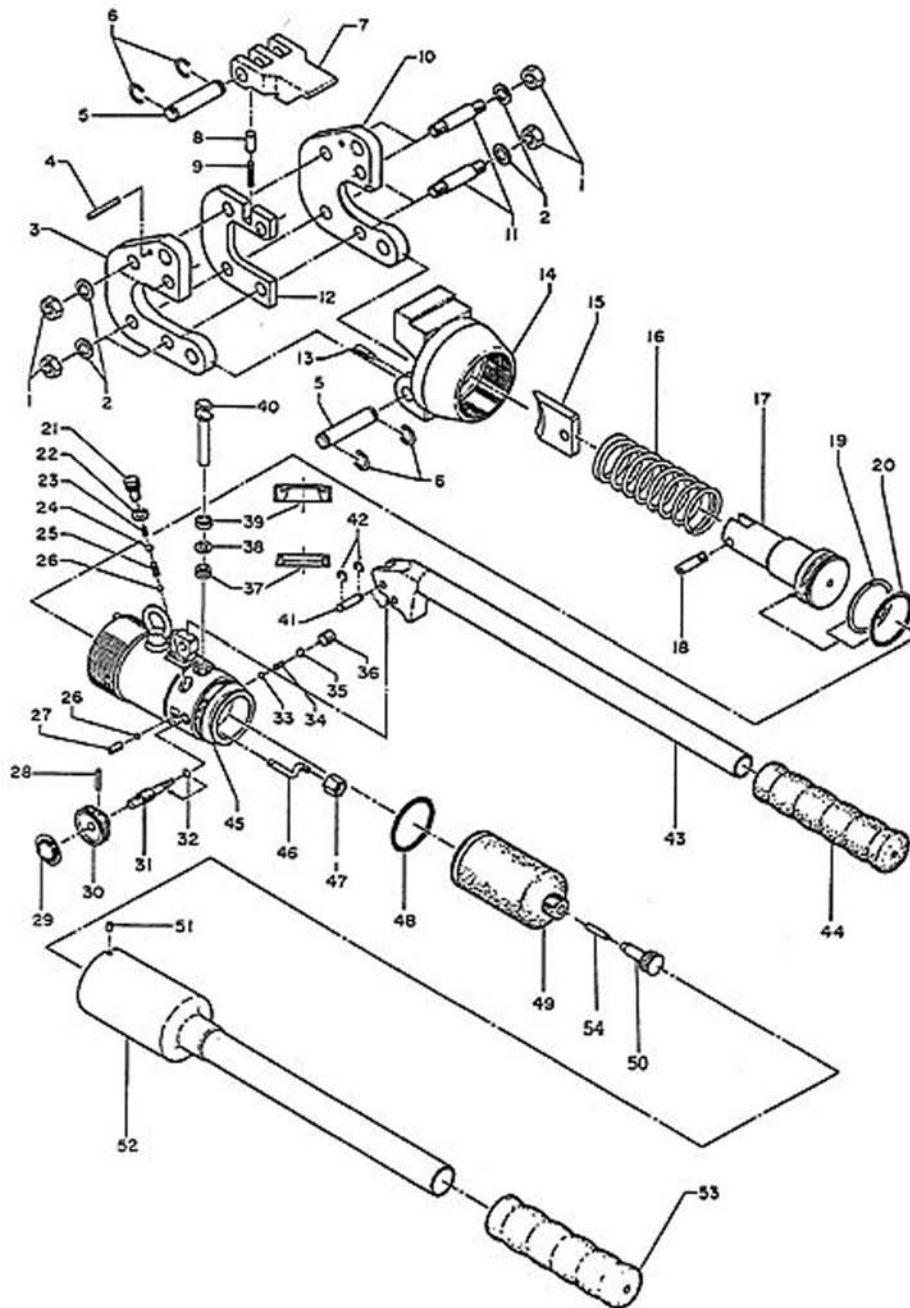


HC32 Hydraulic Wire Rope Cutter Spares



HC32 Hydraulic Wire Rope Cutter Spares

Key	Part Code	Description	Qty
3/01	40-31	M10 Hex Nut	8
3/02	40-32	M10 Lock washer	8
3/03	32-01	Main Head	1
3/04	26-02	4 x 36 Drive pin	1
3/05	26-03	Pin (31)	2
3/06	26-04	CE-12.7 Snap Ring	4
3/07	26-05	Latch	1
3/08	26-06	Spring Holder	1
3/09	26-07	Spring (81)	1
3/10	32-02	Head Shear	1
3/11	26-09	Stud Bolt (2)	4
3/12	32-03	Spacer	1
3/13	55A-11	M5 x 10 Screw (DP)	1
3/14	32-05	Body Head	1
3/15	32-06	Blade	1
3/16	32-07	Spring (182)	1
3/17	32-08	Ram	1
3/18	32-09	Blade Screw	1
3/19	32-10	P-45 Back-Up Ring (BC)	1
3/20	32-11	P-45 O-Ring	1
3/21	26-19	Exhaust Valve Screw	1
3/22	26-20	Copper Gasket (4)	1
3/23	26-21	Spring (68)	1
3/24	26-22	1/4" Ball	1
3/25	16-48	Spring (4)	1
3/26	16-49	3/16" Ball	2
3/27	32-23	M6 x 15 Screw (FP)	1
3/28	32-13	2.5 x 20 Drive Pin	1
3/29	32-14	Release Knob Label	1
3/30	32-15	Release Knob	1
3/31	32-16	Release Valve Stem	1
3/32	16-36	P-3 O-Ring (A)	1
3/33	16-26	7/32" Ball	1
3/34	16-39	Spring (76)	1
3/35	16-40	9/32" Ball	1
3/36	16-41	M10 x 10 Screw (FP)	1
3/37	32-18	PS-9 Pent Seal	1
3/38	32A-01	P-9 Back-up Ring (BC)	1
3/39	32A-02	VC-9 Oil Seal	1
3/40	32-21	Pump Piston	1
3/41	26-29	Pin (5)	2
3/42	40-49	CE-7 Snap Ring	4
3/43	26-30	Pump Handle	1
3/44	26-31	Pump Handle Grip	1
3/45	32A-04	Body	1
3/46	26-34	Suction Tube	1
3/47	26-35	Filter Base Ass'y	1
3/48	26-37	P-38 O-Ring	1
3/49	32A-03	Oil Reservoir (10)	1
3/50	410-55	Reservoir Cap	1
3/51	55A-24	M4 x 5 Screw (CP)	1
3/52	26-39	Body Handle	1
3/53	26-40	Body Handle Grip	1
3/54	ROB-25	Magnet	1