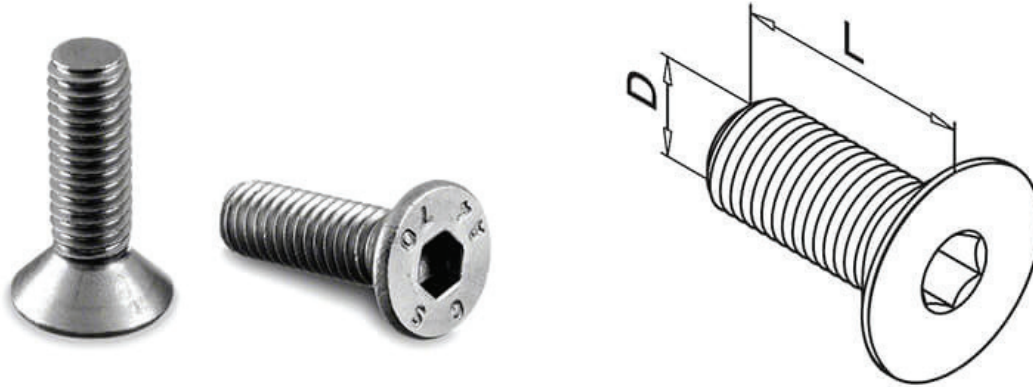


Hex Head Countersunk Screw



	Code	D (Thread)	L (mm)	Pack Size
M5 x 20	93.0670.520.14	M5	20	50
M6 x 8	95.0670.608.14	M6	8	50
M6 x 12	93.0670.612.14	M6	12	50
M6 x 16	93.0670.616.14	M6	16	50
M6 x 20	93.0670.620.14	M6	20	50
M6 x 25	93.0670.625.14	M6	35	50
M6 x 30	93.0670.630.14	M6	30	50
M8 x 25	93.0670.825.14	M8	25	50
M8 x 40	93.0670.840.14	M8	40	50
M10 x 30	93.0671.030.14	M10	30	50

A note about dimensional information

Please be aware that dimensions published on our site should be treated as indicative.

We publish dimensions to the best of our ability, however manufacturers can, from time to time, make small alterations to their designs.

If your dimensional criteria is critical please do contact us prior to making your purchase to let us know and we will do our best to fulfil your requirements.