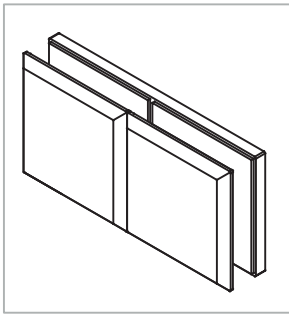
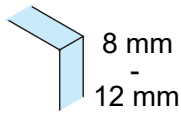


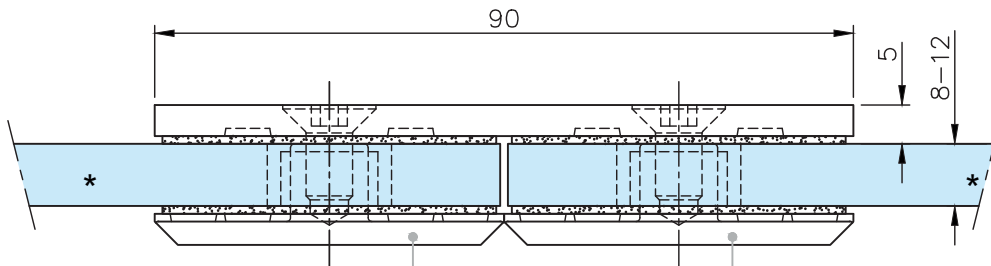
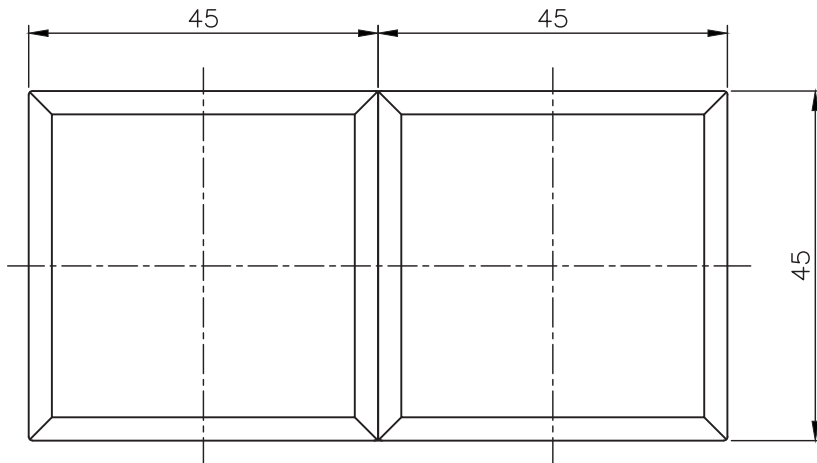
Square in-line Glass Mount Clamp for Glass Walls & Shower Cubicles



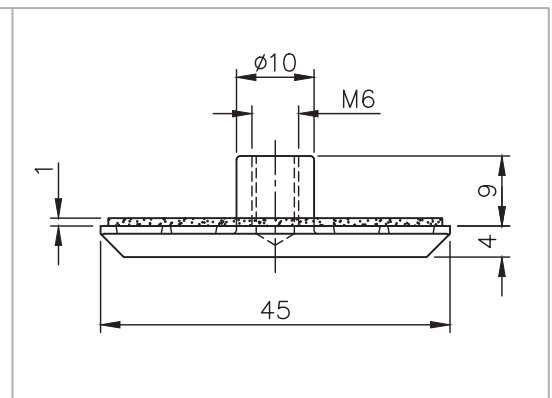
Options:



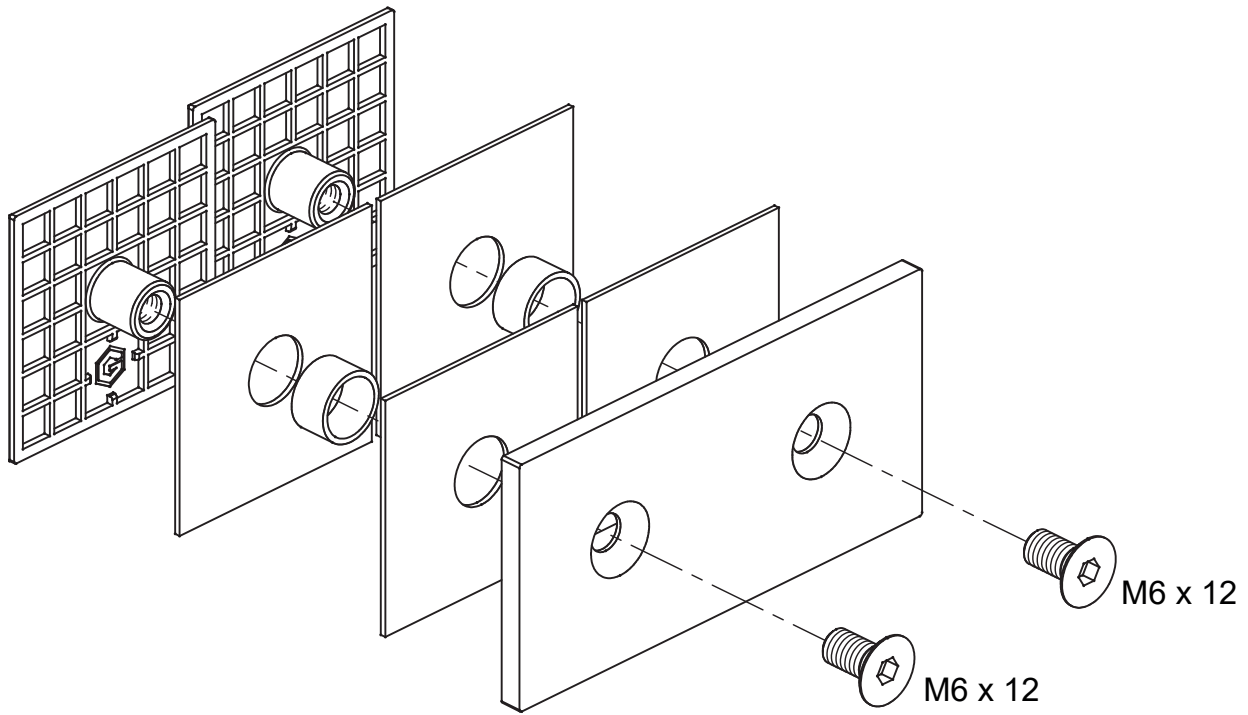
Material:	Stainless steel AISI 304	Weight: 0,25 kg		
Finish:	Stainless steel design 40.4012.180.12	Chrome design 40.4012.180.10	Anthracite design 40.4012.180.26	



* drawing shows 8mm glass



Square In-line Glass Mount Clamp for Glass Walls & Shower Cubicles



Glass preparation:

