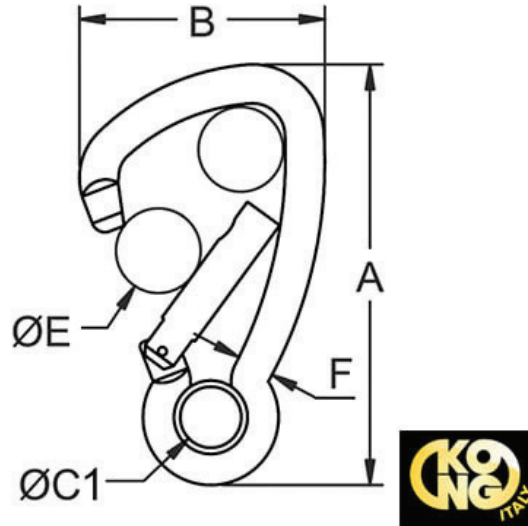


Kong Carabiner - Asymmetric with Eye - Stainless Steel



Code	A (mm)	B (mm)	C1 (mm)	E (mm)	F (mm)	Weight (g)	Break Load
CAT-052-E	53	33.5	7	11	5	18	150 kg
CAT-065-E	65	41.5	7.5	14	6	33	150 kg
CAT-085-E	86	52.5	9.5	17	8	78	15 kN
CAT-100-E	102.5	60	11.5	18	10	147	22 kN
CAT-125-E	124	73	15.5	26	11	215	28 kN
CAT-200-E	209	129	30	56	13	509	24 kN

A note about dimensional information

Please be aware that dimensions published on our site should be treated as indicative.

We publish dimensions to the best of our ability, however manufacturers can, from time to time, make small alterations to their designs.

If your dimensional criteria is critical please do contact us prior to making your purchase to let us know and we will do our best to fulfil your requirements.