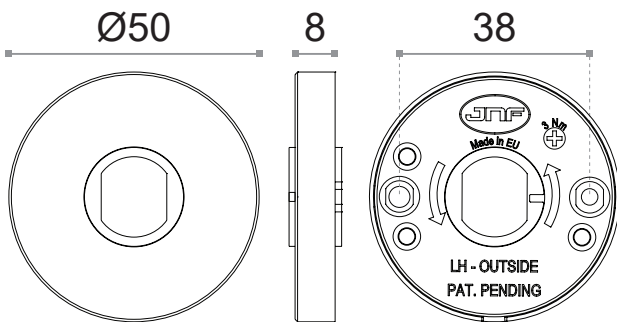
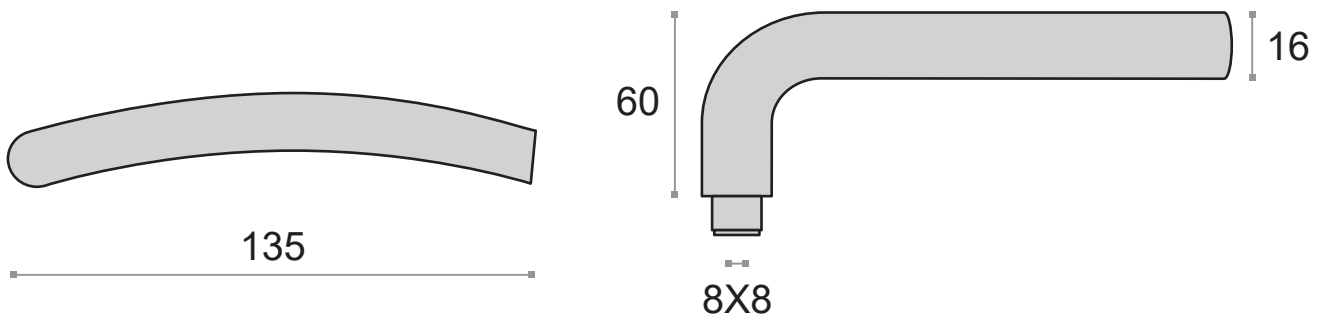


# Lever Door Handle with Curved Grip

IN.00.026

Material: EN 1.4301 (AISI 304 Stainless Steel)



A note about dimensional information  
 Please be aware that dimensions published on our site should be treated as indicative.  
 We publish dimensions to the best of our ability, however manufacturers can, from time to time, make small alterations to their designs.  
 If your dimensional criteria is critical please do contact us prior to making your purchase to let us know and we will do our best to fulfil your requirements.