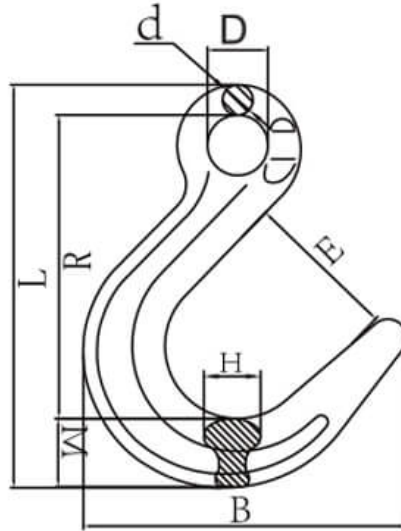


Lifting Eye Foundry Hook with Flat - Grade 80



| Code | Chain Ø (mm) | WLL (tonne) | Weight (kg) | B / L (mm) | D / d (mm) | E (mm) | H (mm) | M (mm) | R (mm) |
|----------|-----------------|----------------|----------------|---------------|---------------|-----------|-----------|-----------|-----------|
| XN116-07 | 7/8 | 2 | 0.72 | 130/158.5 | 24/12 | 62 | 19 | 26 | 120.5 |
| XN116-10 | 10 | 3.2 | 1.25 | 152.5/199 | 31.5/15 | 73 | 25 | 31 | 153.2 |
| XN116-13 | 13 | 5.3 | 2.32 | 186/241.5 | 44/19 | 90 | 33 | 38.5 | 184 |
| XN116-16 | 16 | 8 | 3.45 | 218/279 | 49/22 | 105 | 37 | 42 | 216 |
| XN116-20 | 18/20 | 12.5 | 6.42 | 252/330 | 60/26 | 114 | 46 | 57 | 247 |

A note about dimensional and loading information

Please be aware that dimensions and loads published on our site should be treated as indicative.

We publish this information to the best of our ability, however manufacturers can, from time to time, make small alterations to their designs.

If your dimensional criteria is critical please do contact us prior to making your purchase to let us know and we will do our best to fulfil your requirements.