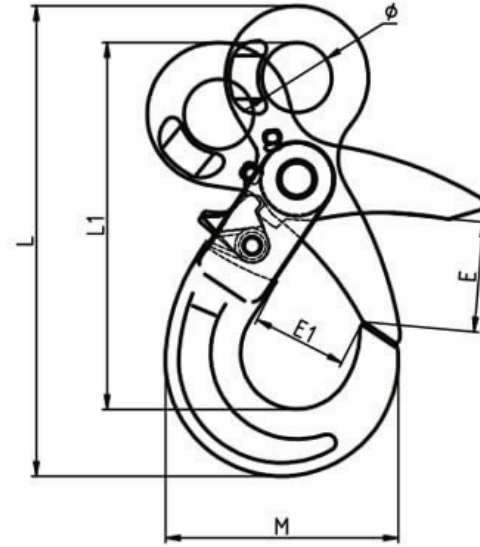


## Lifting Hook with Eye - Self Locking - Grade 80



Code	Chain Ø (mm)	WLL (tonne)	Weight (kg)	Ø (mm)	E (mm)	E1 (mm)	L (mm)	L1 (mm)	M (mm)
XN737-07	7/8	2	0.88	25	30.4	35	175	136	88
XN737-10	10	3.15	1.58	34.5	48	45	214	168	108
XN737-13	13	5.3	3	40	54	52.5	268	207	136
XN737-16	16	8	5.9	50	47	63.3	332	254	168.5
XN737-20	18/20	12.5	7	64.5	54	86	332	274.5	186.2
XN737-22	22	15	12.3	70	59.4	76	415	319	202
XN737-26	26	21.2	20	80	101	96	472	362	244
XN737-32	32	31.5	43	105	101	133	614	470	329.5

A note about dimensional and loading information

Please be aware that dimensions and loads published on our site should be treated as indicative.

We publish this information to the best of our ability, however manufacturers can, from time to time, make small alterations to their designs.

If your dimensional criteria is critical please do contact us prior to making your purchase to let us know and we will do our best to fulfil your requirements.