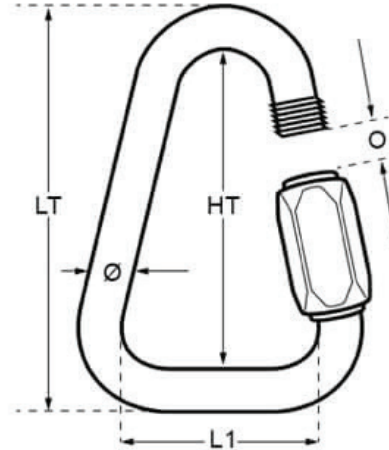


Maillon Rapide Quick Link - Delta - Stainless Steel



Code	Ø (mm)	LT (mm)	HT (mm)	L1 (mm)	O (MM)	WLL (kg)	Tightening Torque (Nm)
RDL-03	3	30	24	21	4	110	0.30
RDL-04	4	40	32	27.5	5.5	200	0.70
RDL-05	5	48	38	30	6.5	325	0.80
RDL-06	6	56	44	35	7.5	450	1.20
RDL-08	8	73	57	40	10	770	3.00
RDL-10	10	87	67	46	12	1250	7.00
RDL-12	12	104	80	51	15	1750	9.00
RDL-14	14	123	95	57	17	2450	12.00
RDL-16	16	138	106	61	19	3150	18.00

A note about dimensional information

Please be aware that dimensions published on our site should be treated as indicative.

We publish dimensions to the best of our ability, however manufacturers can, from time to time, make small alterations to their designs.

If your dimensional criteria is critical please do contact us prior to making your purchase to let us know and we will do our best to fulfil your requirements.