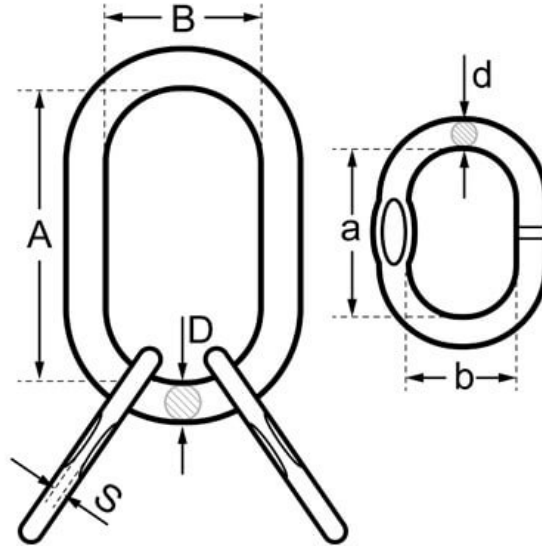


Master Link Assembly - Grade 100 - Alloy Steel



Code	Chain Ø (mm)	WLL (tonne)	Weight (kg)	A (mm)	B (mm)	D (mm)	a,b,d (mm)	S (mm)
XN1012-06	6	3	1.3	135	75	19	54, 25, 13	7
XN1012-08	8	5.3	2.33	160	90	23	70, 34, 16.5	8
XN1012-10	10	8	3.7	180	100	27	85, 40, 19	11
XN1012-13	13	14	6.5	200	110	33	115, 50, 23	13
XN1012-16	16	21.2	10.1	260	140	36	140, 65, 27	17
XN1012-20	19/20	33.6	24.15	350	190	50	180, 90, 33	N/A*
XN1012-22	22	39.9	24.15	350	190	50	180, 100, 36	N/A*

*Note : 33.6 and 39.9 tonne master link assemblies are supplied without engineered flat (S).

A note about dimensional and loading information

Please be aware that dimensions and loads published on our site should be treated as indicative.

We publish this information to the best of our ability, however manufacturers can, from time to time, make small alterations to their designs.

If your dimensional criteria is critical please do contact us prior to making your purchase to let us know and we will do our best to fulfil your requirements.