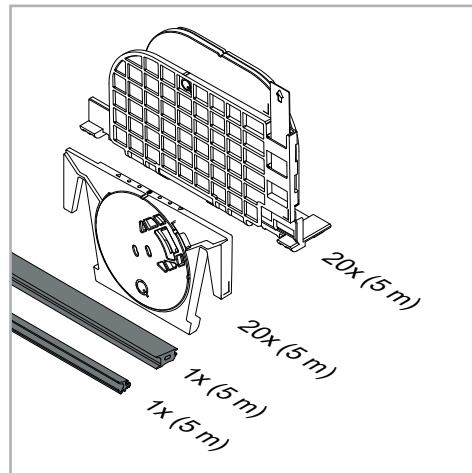


## Q-Disc Set - Easy Glass Smart Balustrade



**1**

Insert the inlay into Easy Glass Smart floor profile.

**2**

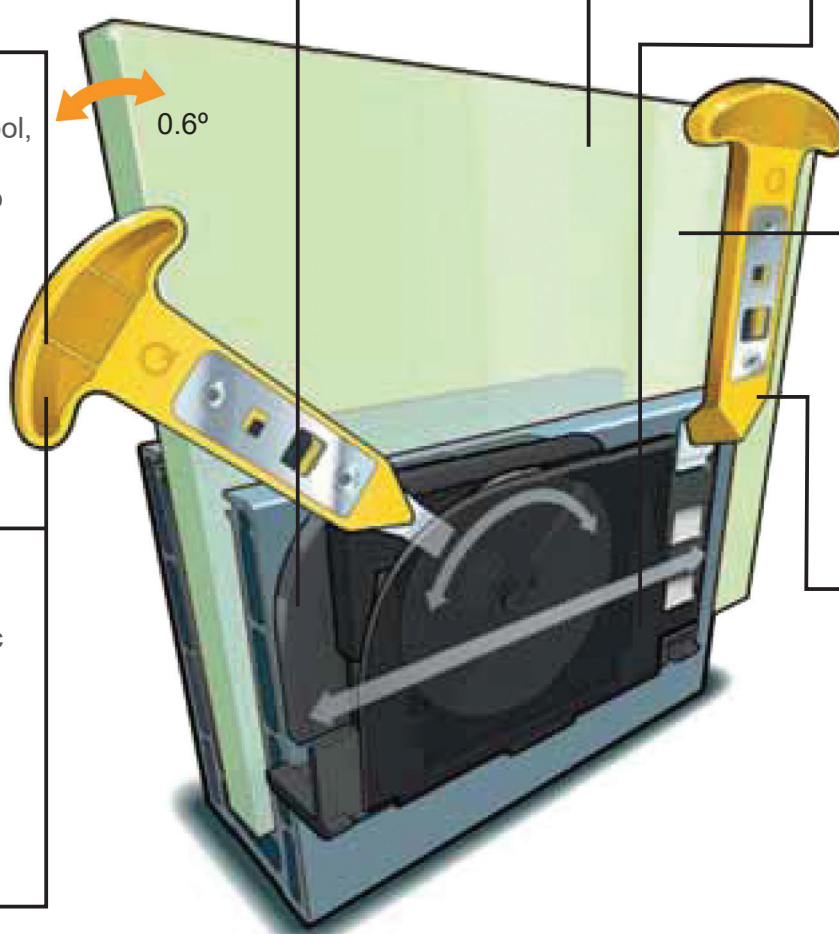
Insert the glass pane.

**3**

Insert the Q-disc between the glass and inlay until it clicks into place.

**4**

Using the Q-disc tool, hand tighten the Q-disc clockwise to secure glass.



**5**

Check if individual panes of glass need to be aligned

**6**

To adjust a disc, unscrew the Q-disc counter-clockwise.

**7**

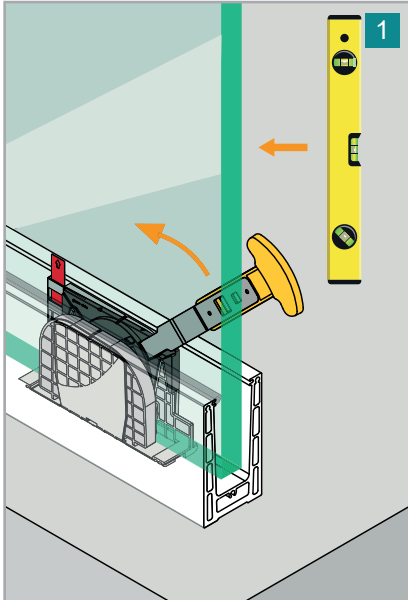
To adjust the tilt of the glass, use the Q-tool to move inlay left or right (optional).

**8**

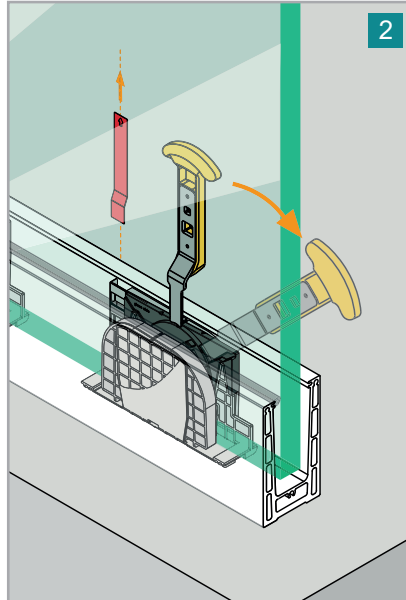
Fix the glass disc by tightening the Q-disc clockwise. Check instruction on page 3 for adjusting the torque wrench.

# Q-Disc Set - Easy Glass Smart Balustrade

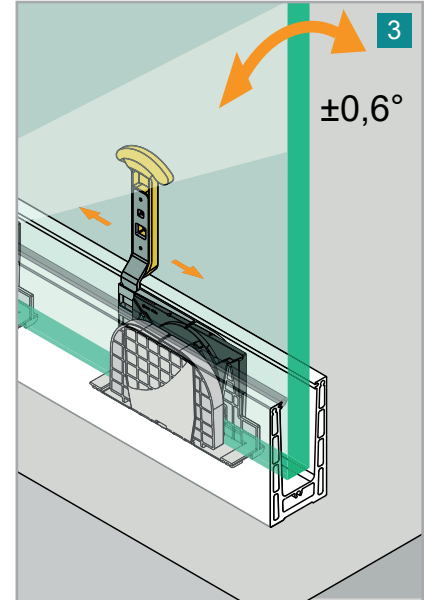
## Glass Adjustment



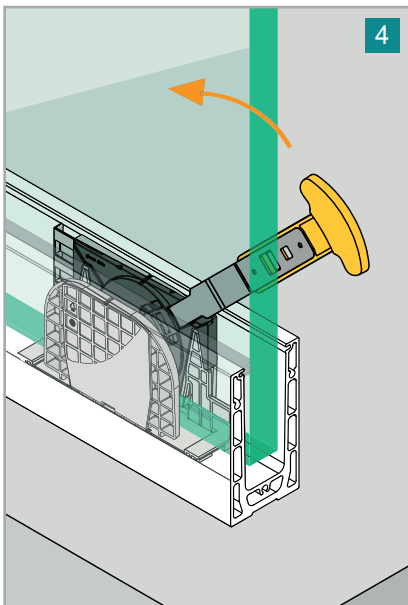
Check if individual panes of glass need to be aligned



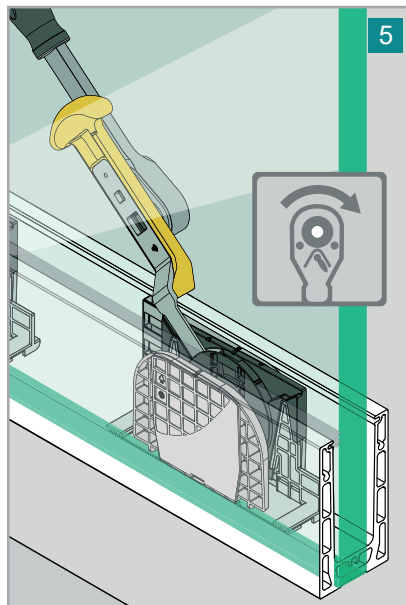
Loosen



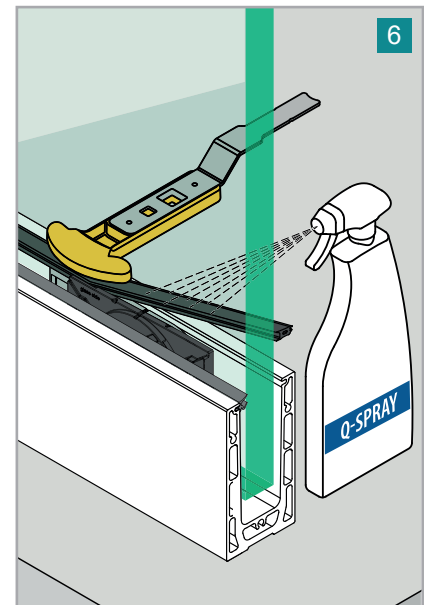
Align Glass



Tighten to secure glass



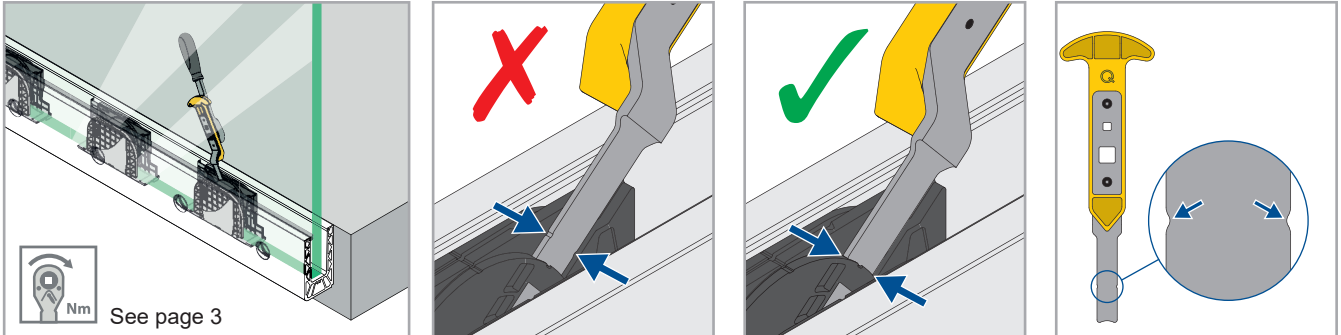
Check assembly instructions for setting the torque wrench (page 3)



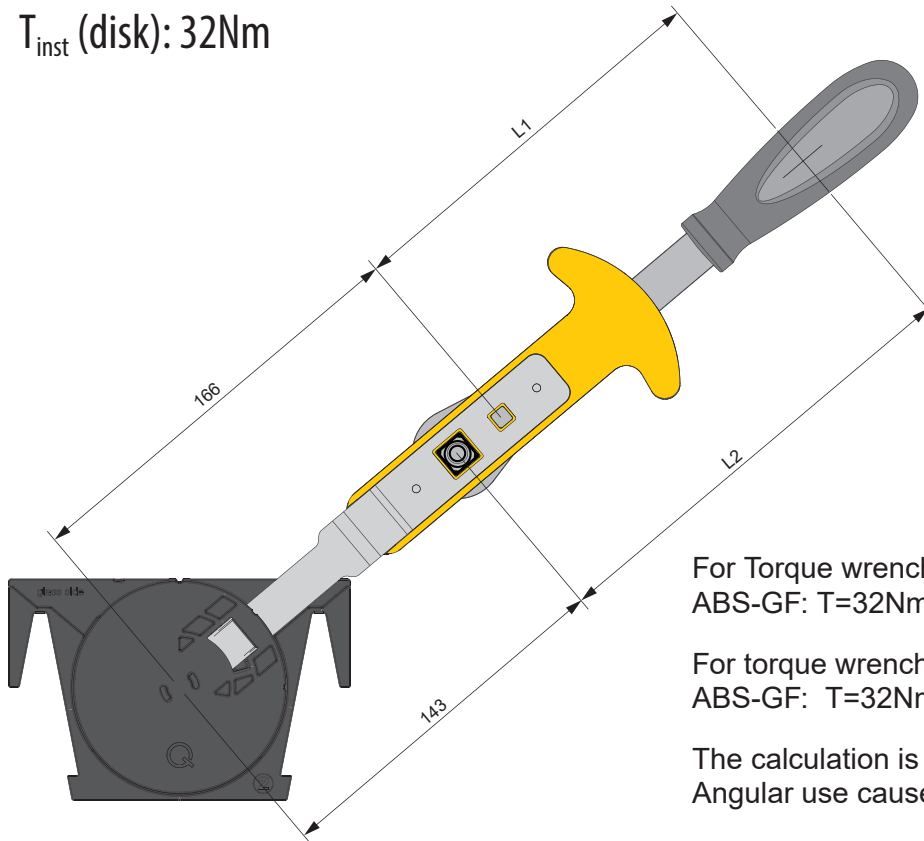
Clean

# Q-Disc Set - Easy Glass Smart Balustrade

## Q-disc and inlay tool



$T_{inst}$  (disk): 32Nm



For Torque wrench 1/4":  
ABS-GF:  $T=32Nm \cdot L1 / (L1+166mm)$

For torque wrench 1/2"  
ABS-GF:  $T=32Nm \cdot L2 / (L2+143mm)$

The calculation is valid for straight-lined use.  
Angular use causes different torque.