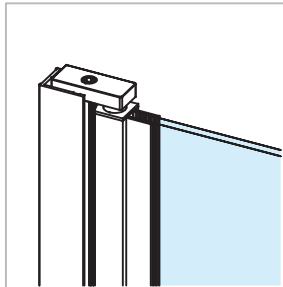
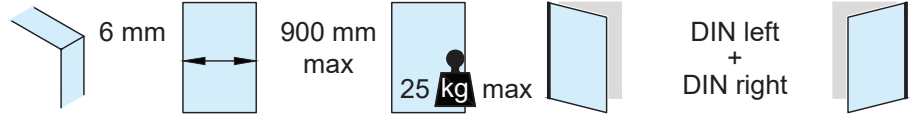


Shower Door Wall Profile for 6mm Glass

shower door fitting with rise and fall mechanism



Options:



Material:

Aluminium

Weight:

2.2 kg

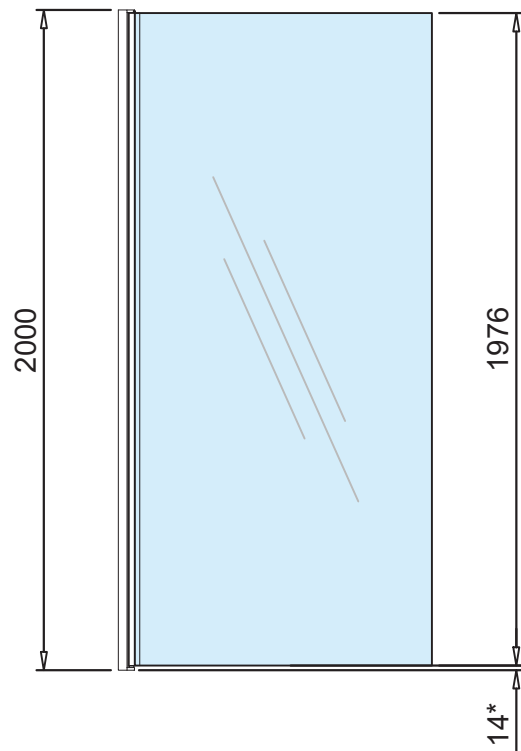
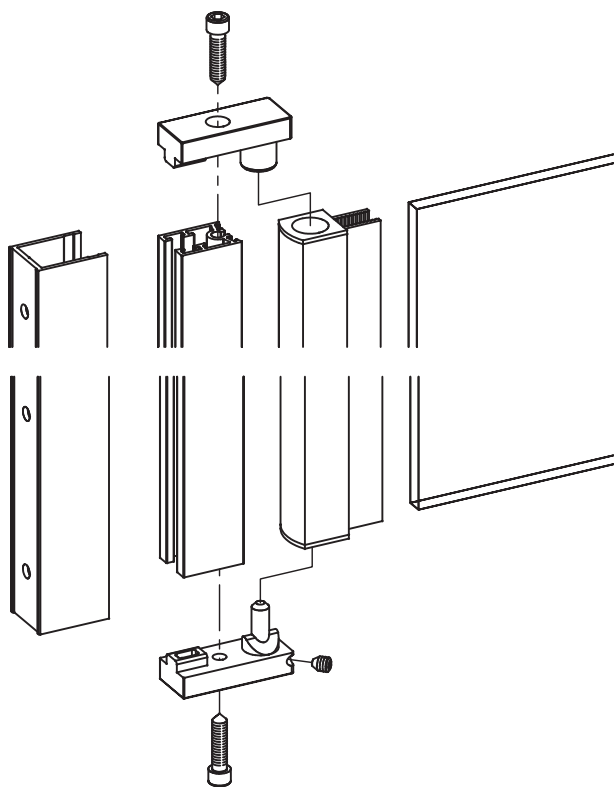
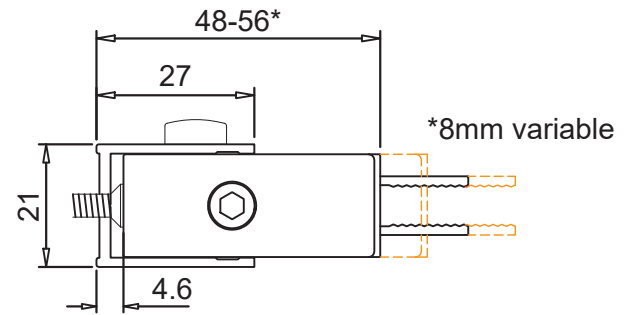
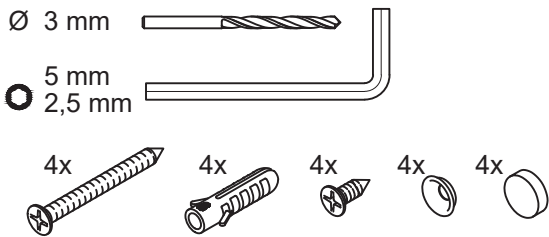
Finish:

Silver Matt Anodised

Chrome Design

Anthracite Black

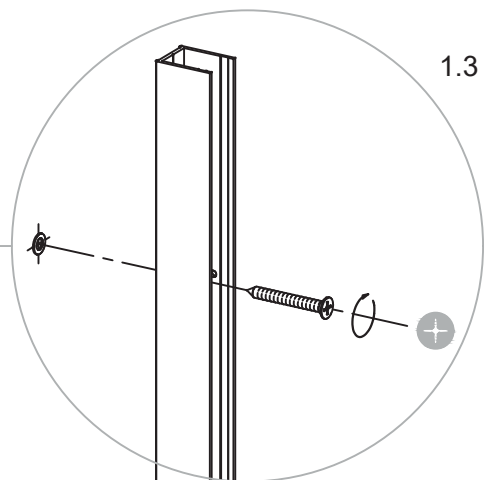
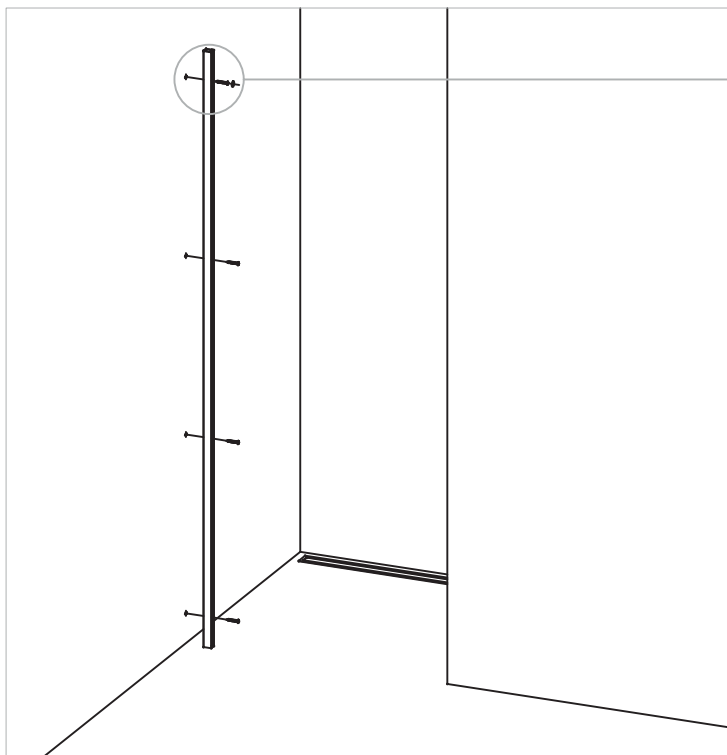
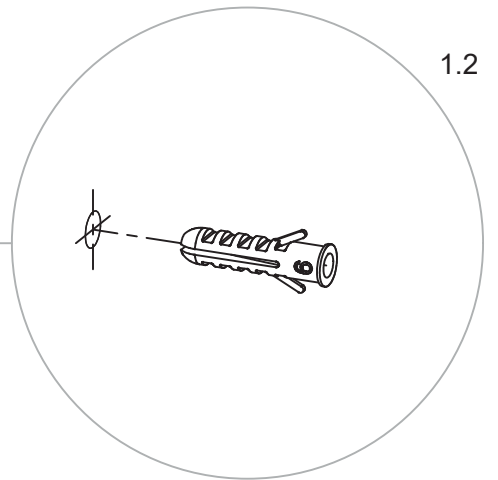
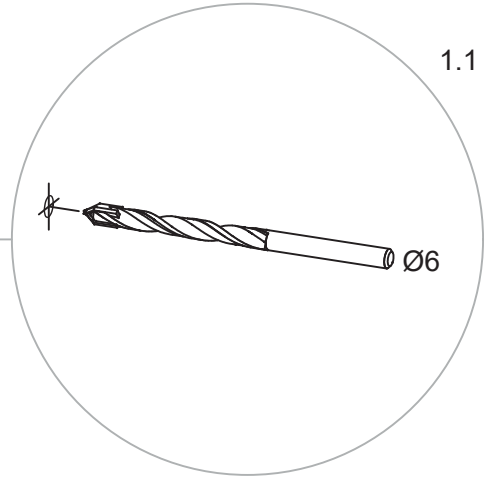
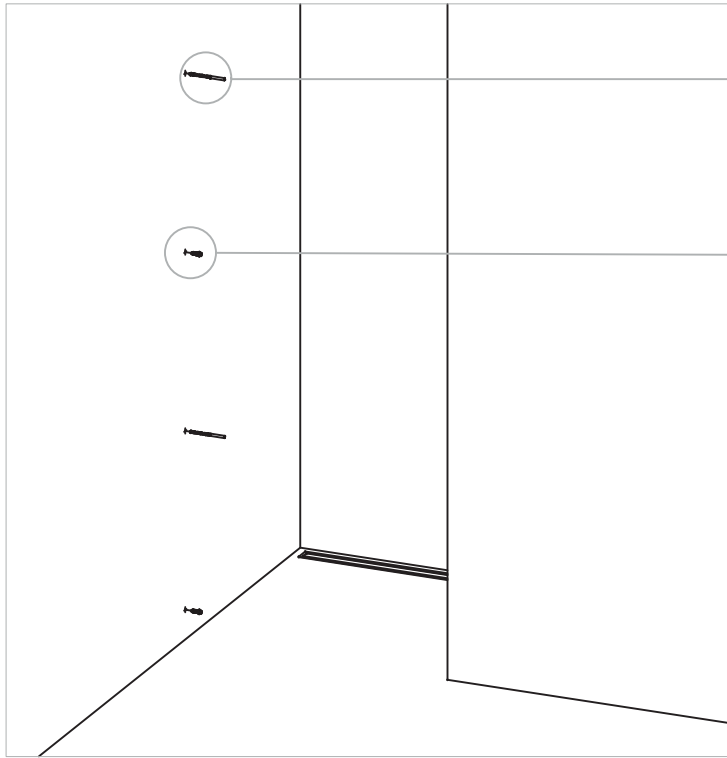
Scope of supply:



*When closed

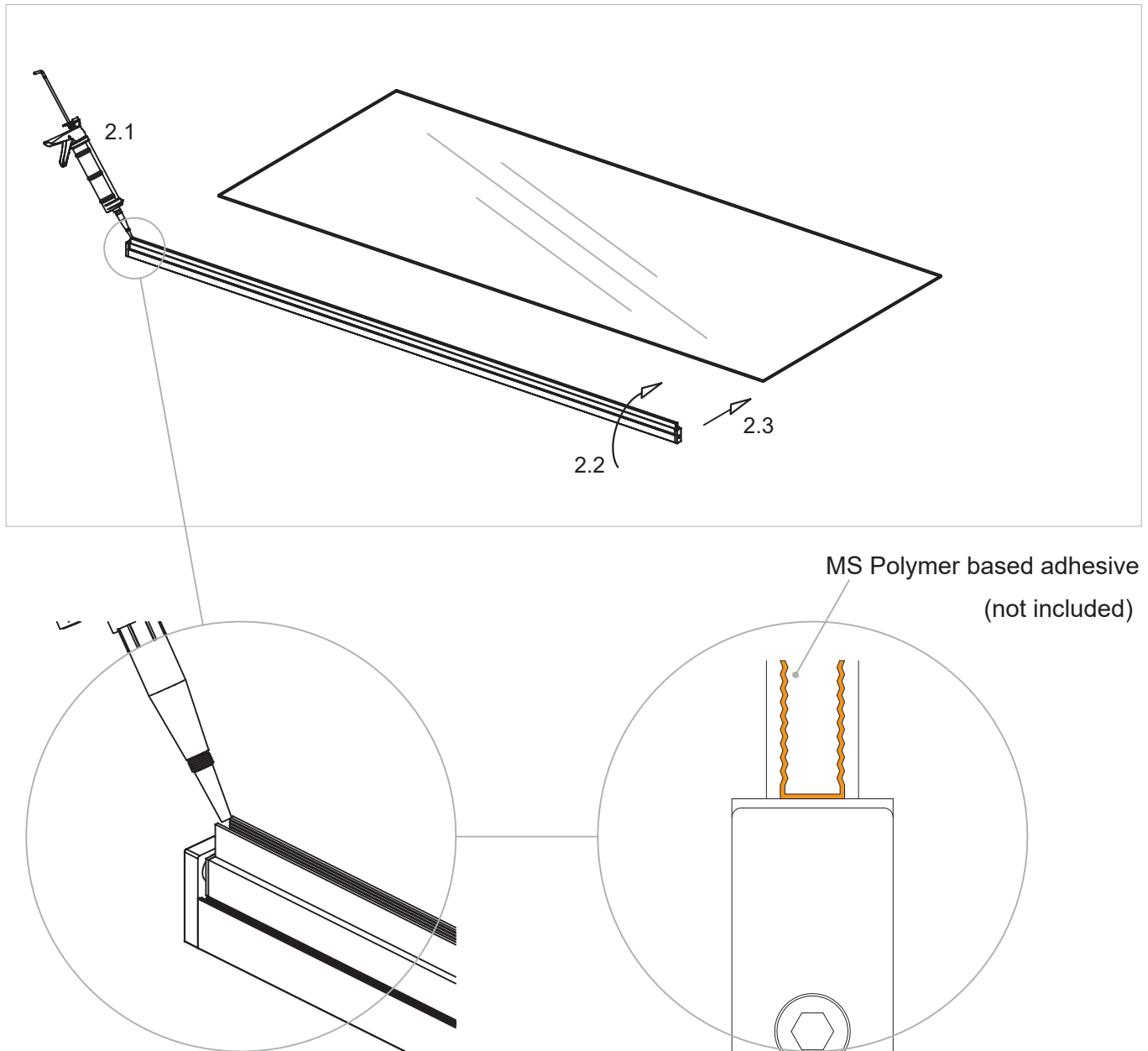
Shower Door Wall Profile for 6mm Glass

1. Mounting of the wall profile:



Shower Door Wall Profile for 6mm Glass

2. Mounting of door profile to the door glass:

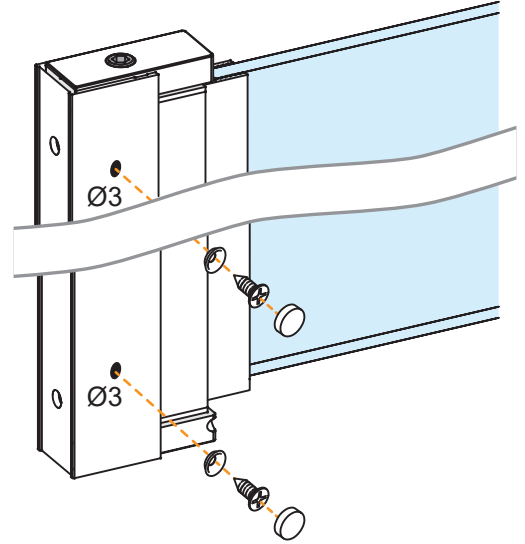
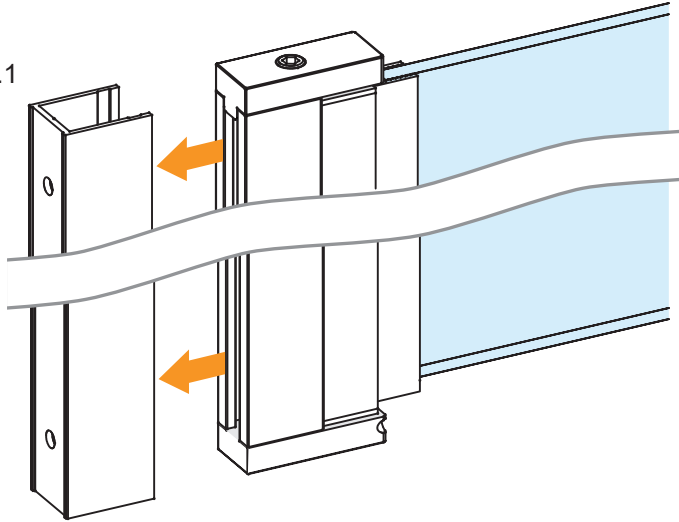


Important: Before mounting, clean the glass in the area of the bonding surface.

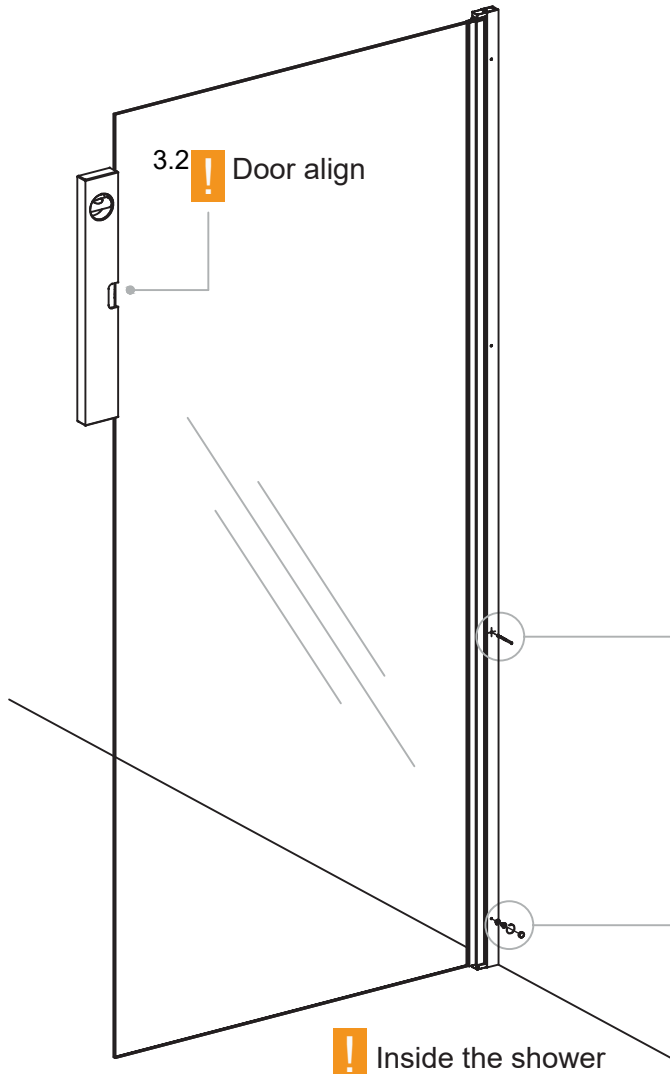
Shower Door Wall Profile for 6mm Glass

3. Mounting the glass door:

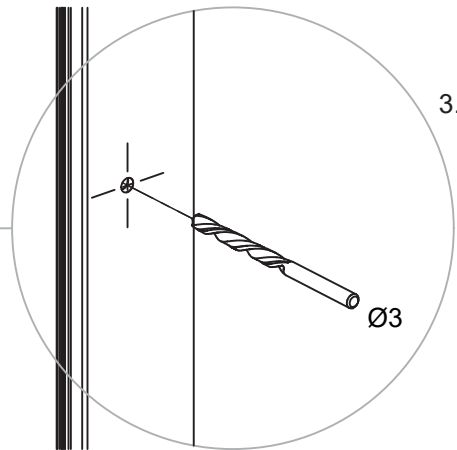
3.1



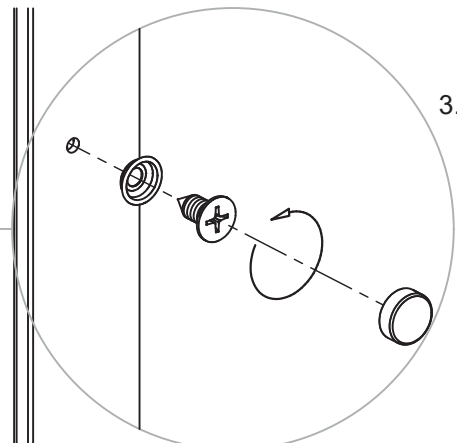
3.2 ! Door align



3.3 ! Drill holes transferred to the hinge profile & screw it together.
3.4



3.3



3.4

Shower Door Wall Profile for 6mm Glass

4 Setting the 0° position of the door:

