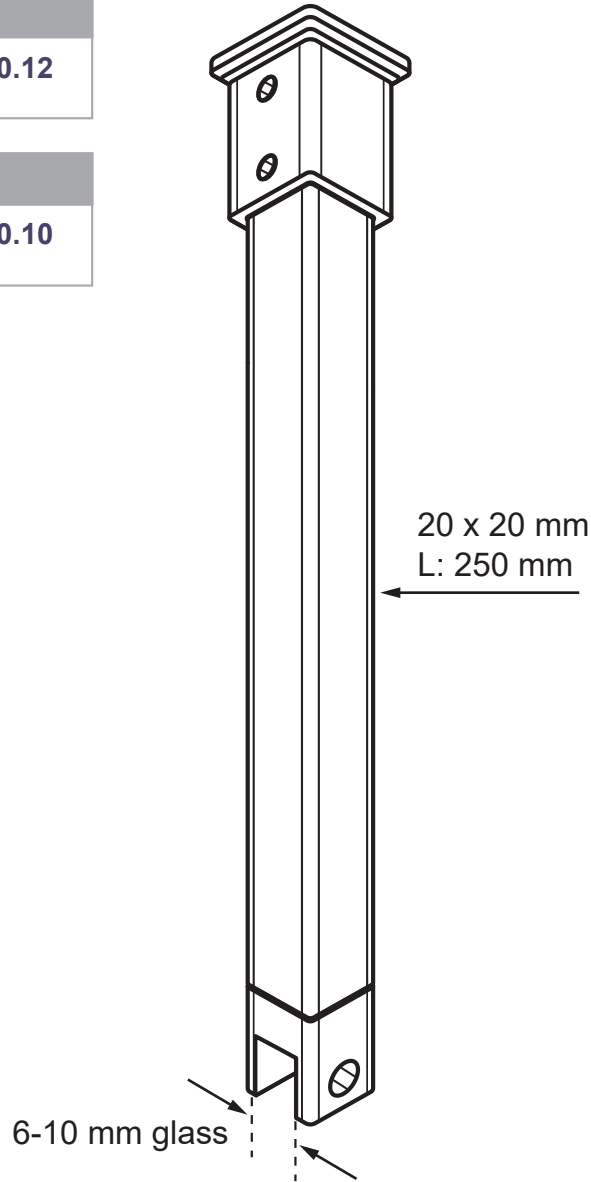


Shower Screen Support Arm - Vertical to Glass - Square

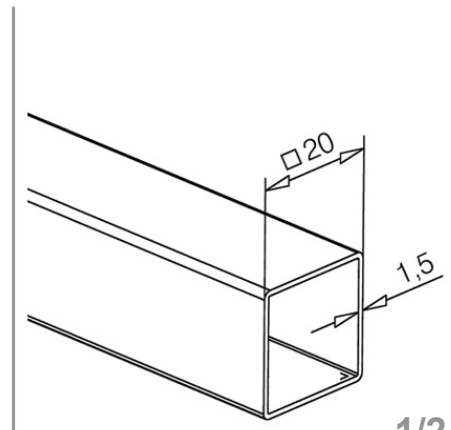
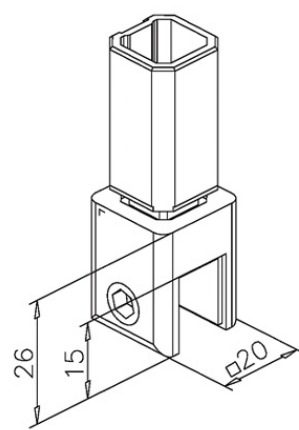
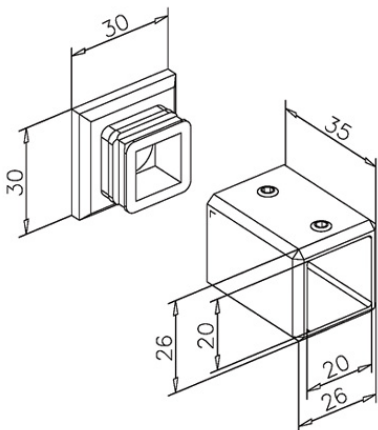
Choice of:

| Stainless Steel Design | |
|------------------------|-----------------------|
| 250mm | 29.6415.020.12 |

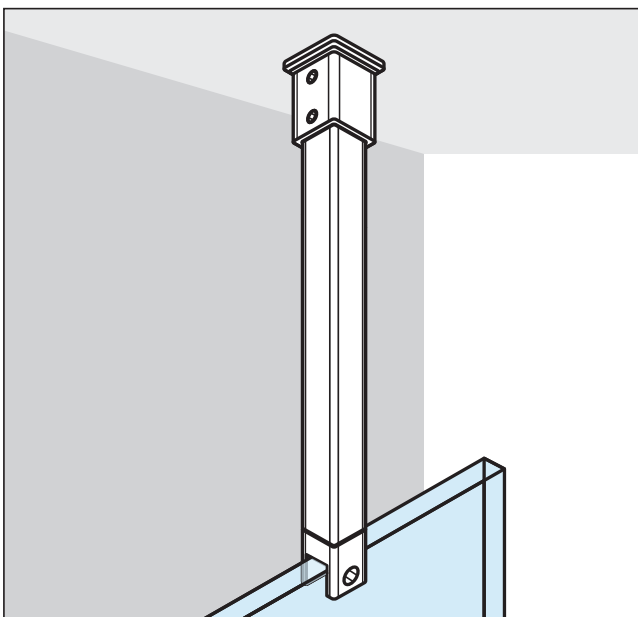
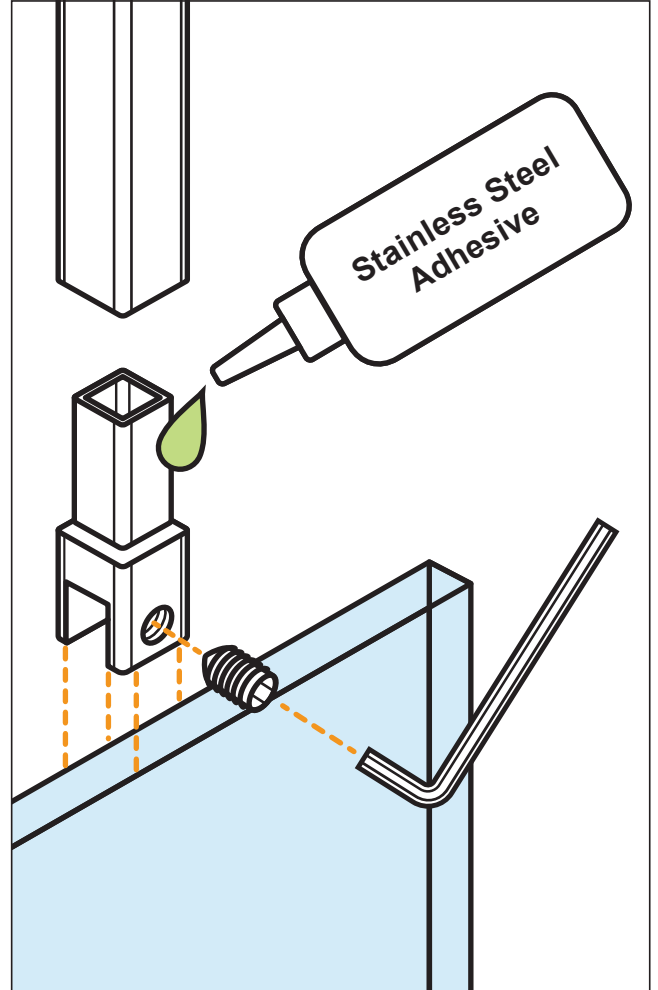
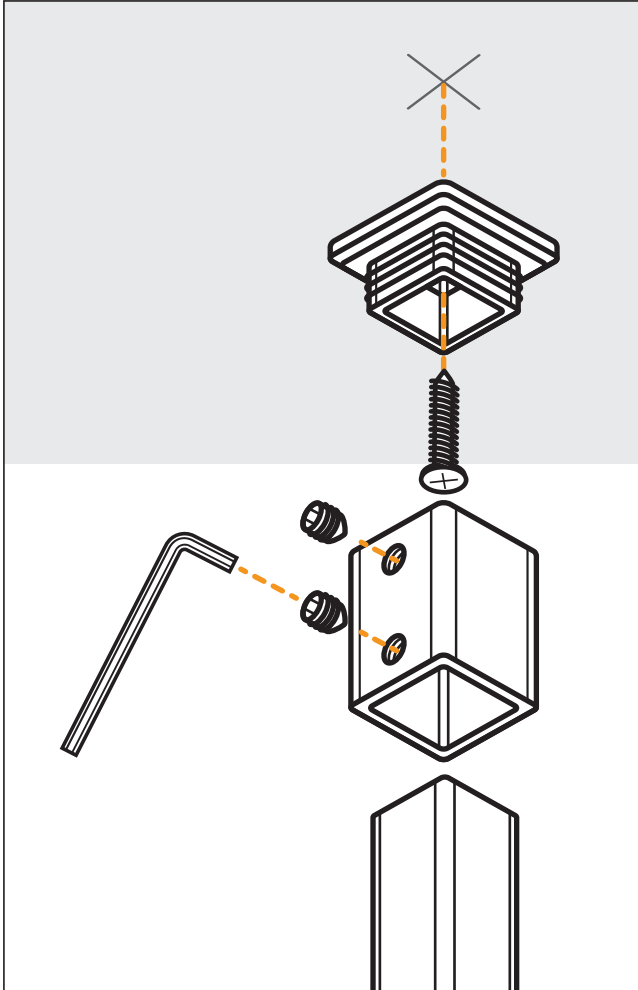
| Chrome Plated Finish | |
|----------------------|-----------------------|
| 250mm | 29.6415.020.10 |



Components



Shower Screen Support Arm - Vertical to Glass - Square



You can use Stainless Steel Adhesive (not included) to fix Tube Insert Clamp in place, although this is not essential, as end fitting is a tight fit and will be held firmly in position by tension between glass and ceiling fitting.