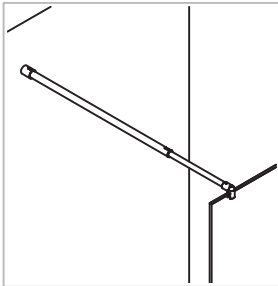


## Shower Screen Support Telescopic Arm - Wall Mount



Options:



6-8 mm



90°

Material:

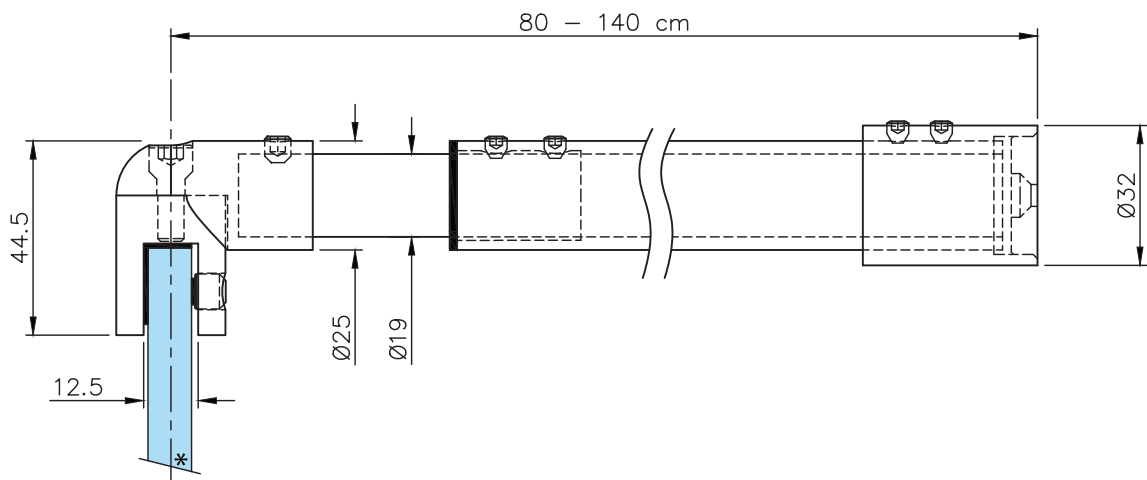
Stainless steel AISI 304

Weight: 1,570 kg

Finish:

Stainless steel design

Chrome design



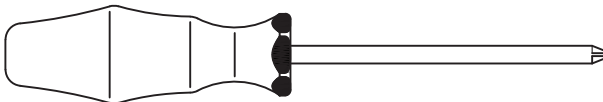
Mounting tools:



Ø8 mm

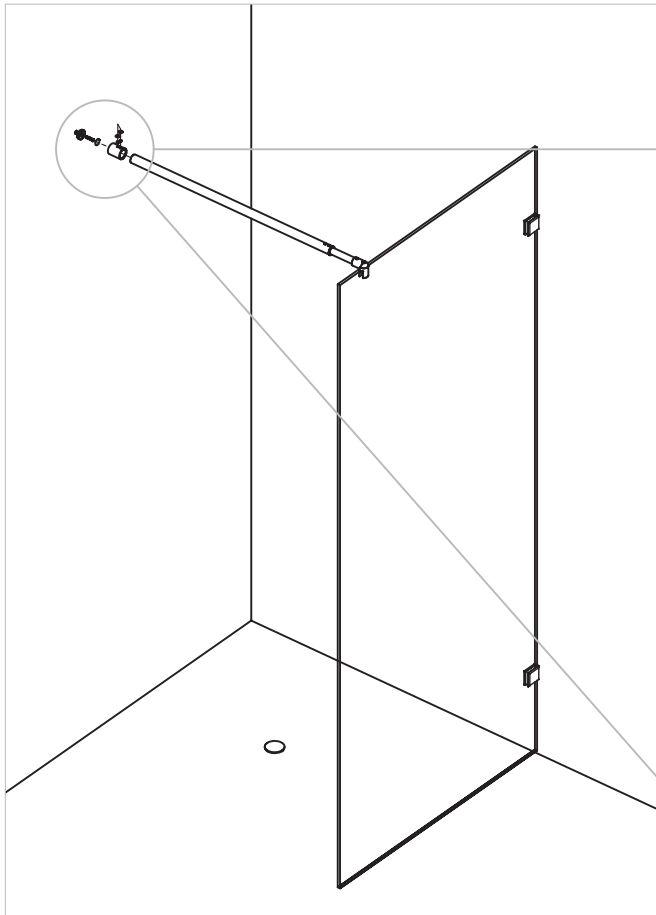


2,5 mm

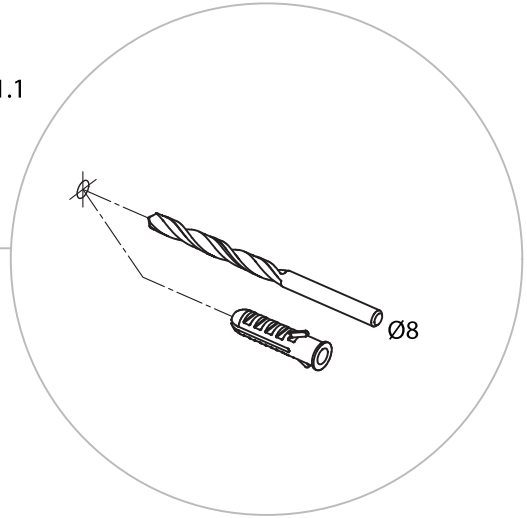


## Shower Screen Support Telescopic Arm - Wall Mount

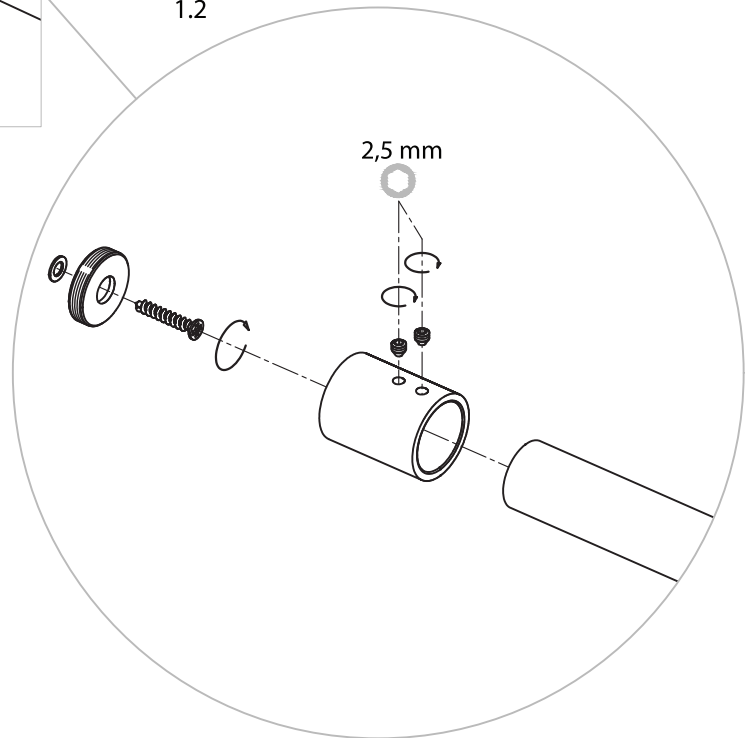
Installation of the stabilizer :



1.1

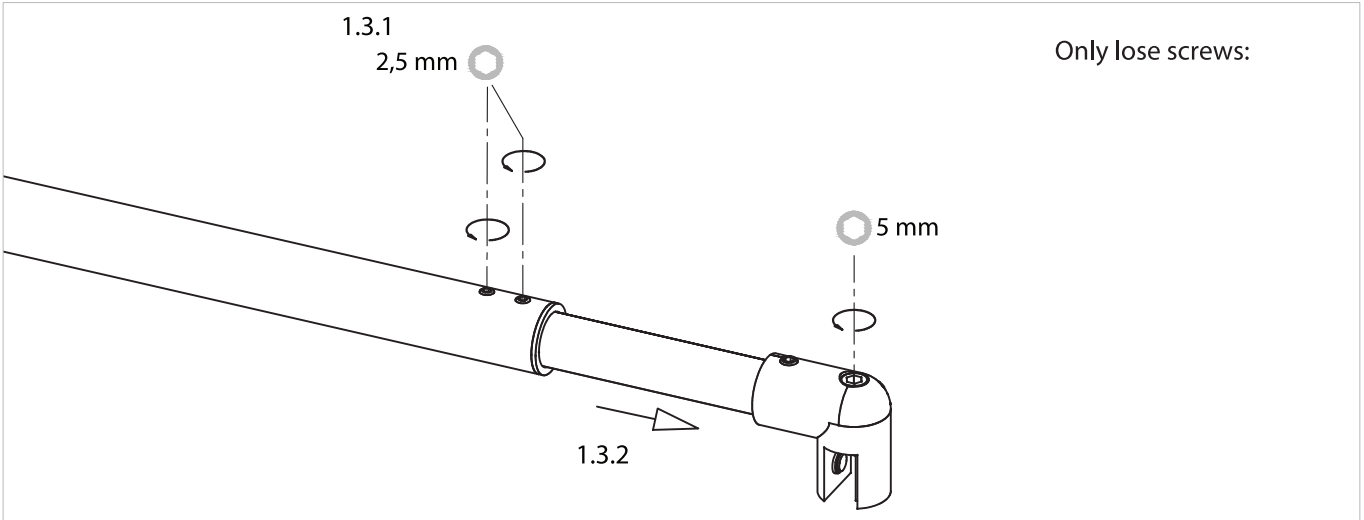


1.2

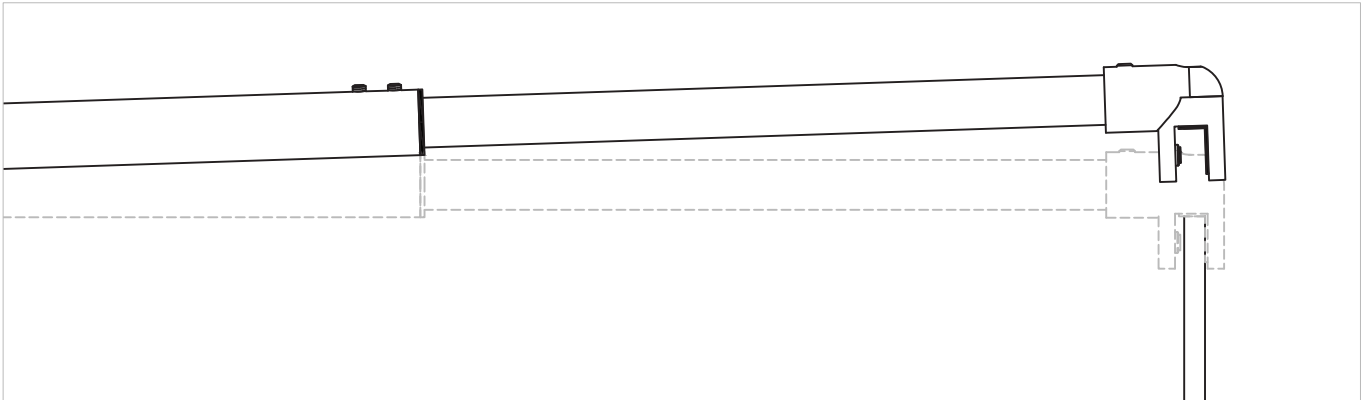


## Shower Screen Support Telescopic Arm - Wall Mount

1.3



1.4



1.5

