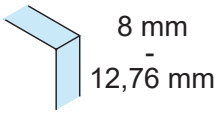
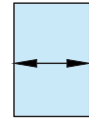




Sliding Glass Barn Door Runner Installation

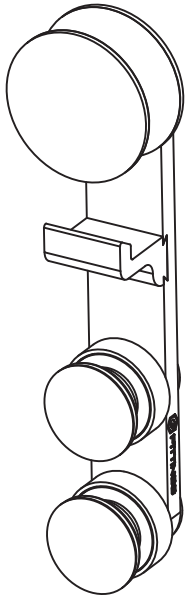
Options:  8 mm - 12,76 mm  1200 mm max.  100 kg max. Glass upon request - Not in scope of supply! 

Material: Stainless steel AISI 304 Weight: 4,7 kg

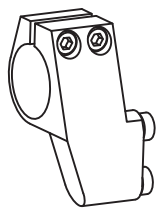
Finish: Stainless steel design Anthracite black design

Scope of supply:

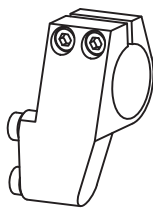
2x 46.6130.000.12



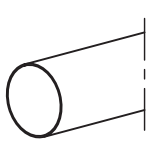
1x 46.6122.000.12



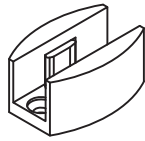
1x 46.6123.000.12



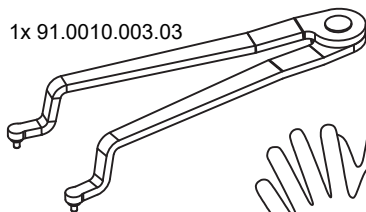
1x 12.8925.025.12



1x 46.6109.000.12

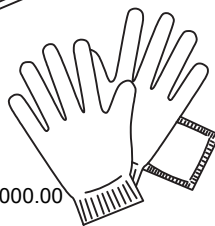


1x 91.0010.003.03



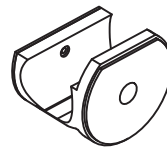
1x 19.1330.005.00

1x 19.0700.000.00



29.5131.251.12

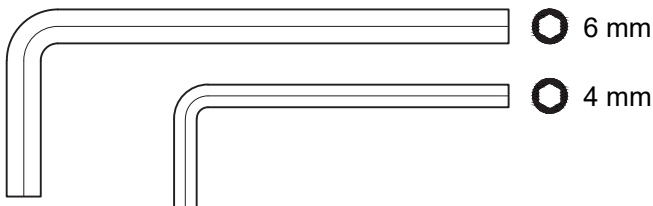
5x 46.6117.000.12



2x 11.0732.025.20



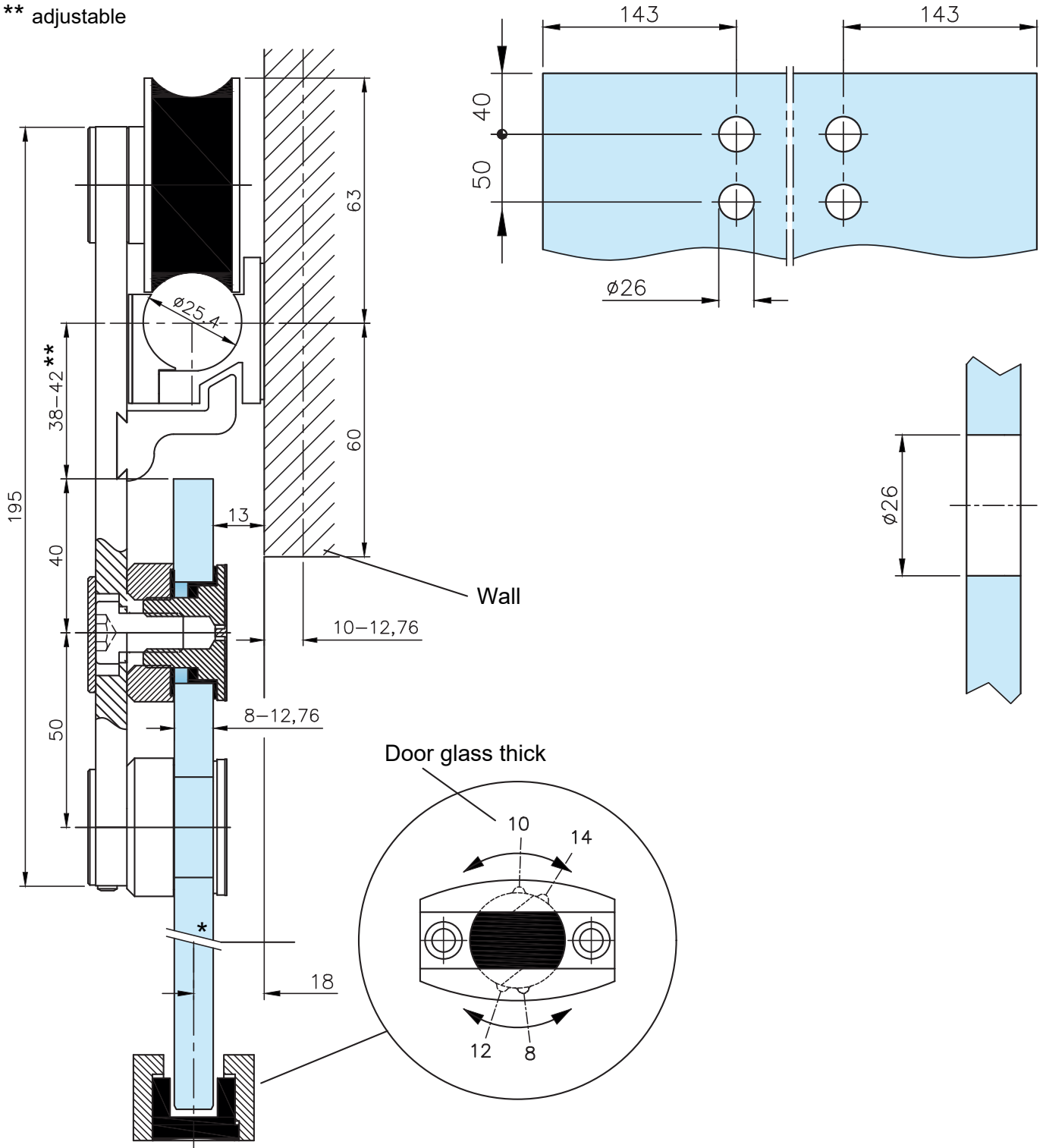
Mounting tools required:



Sliding Glass Barn Door Runner Installation

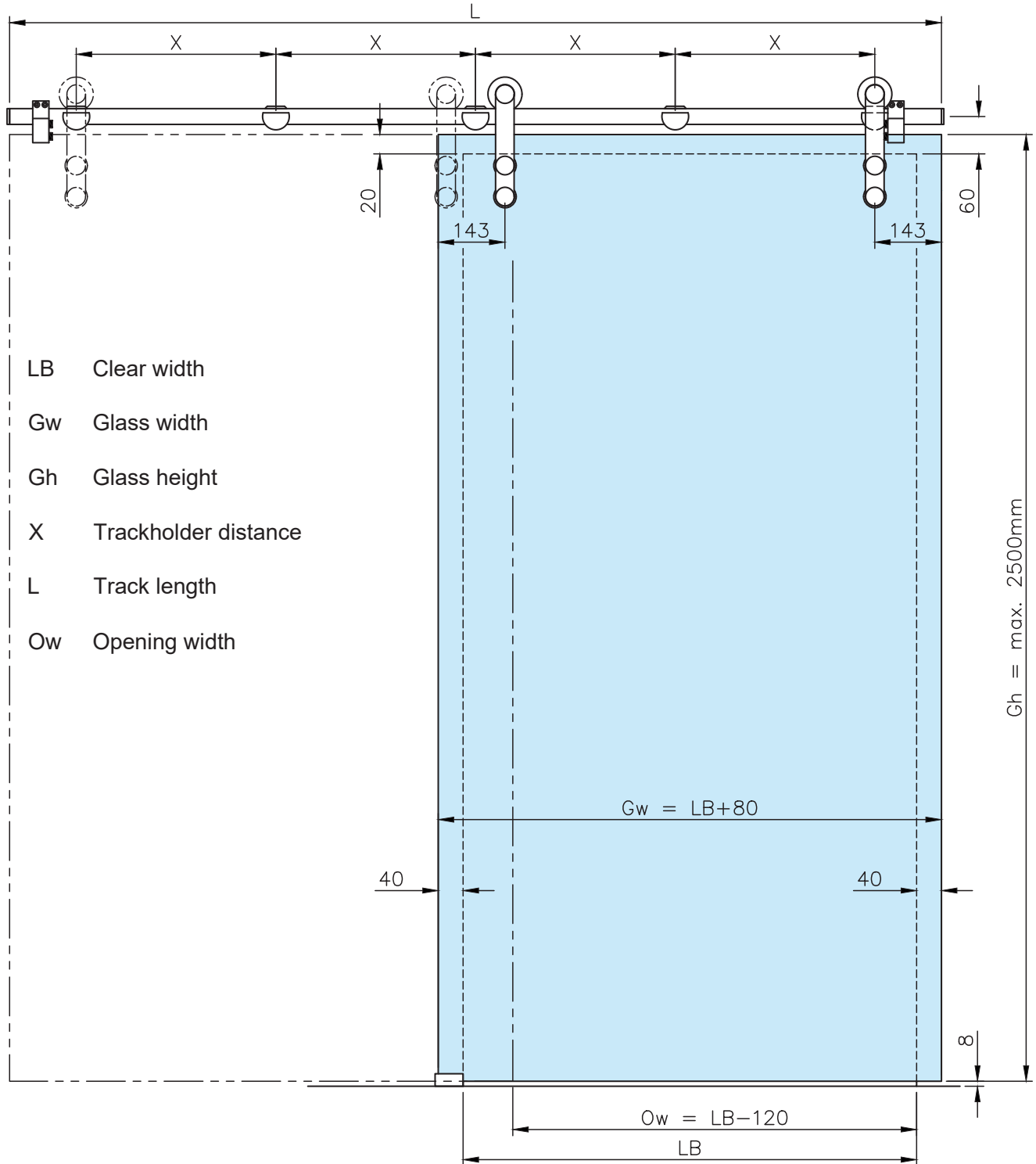
Stainless Steel Design
Anthracite Black Design

* drawing shows 10mm glass
** adjustable



Sliding Glass Barn Door Runner Installation

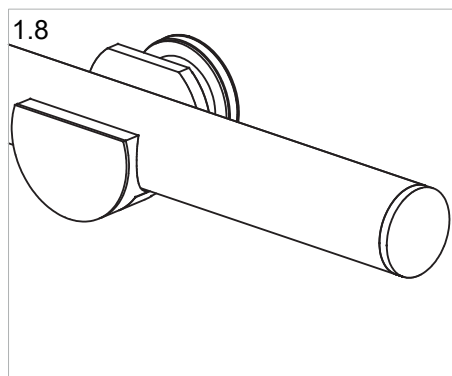
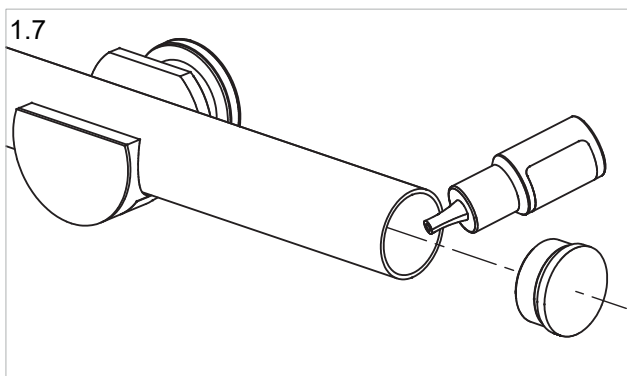
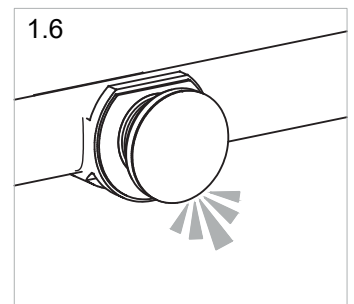
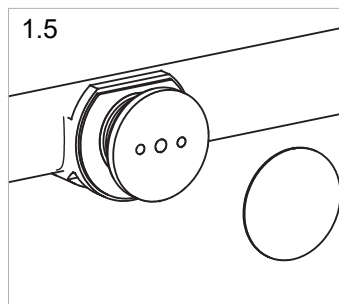
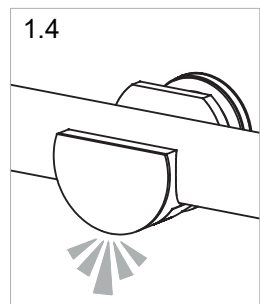
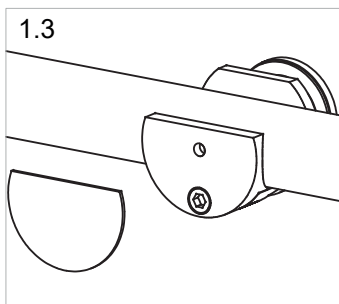
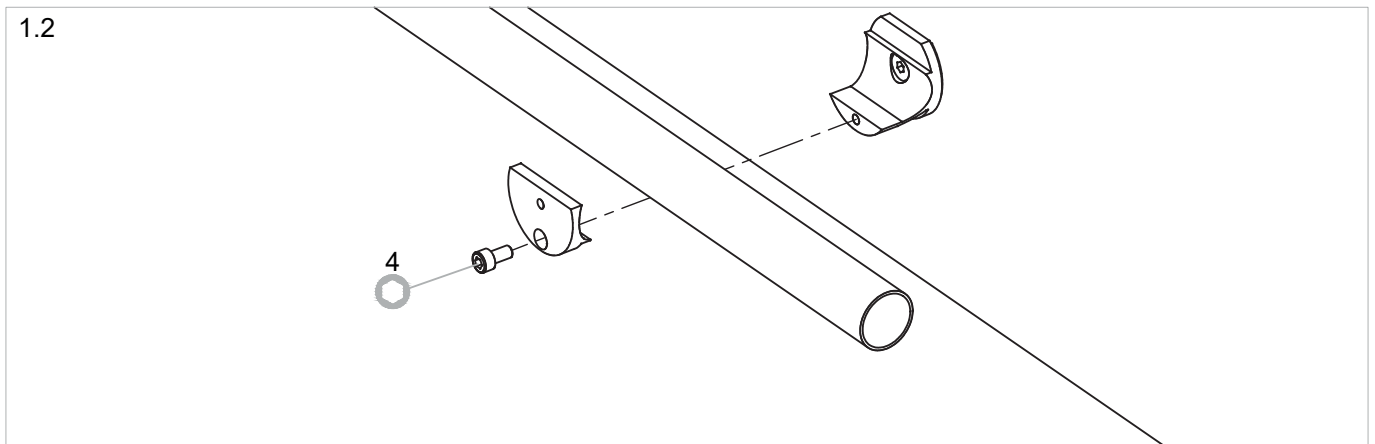
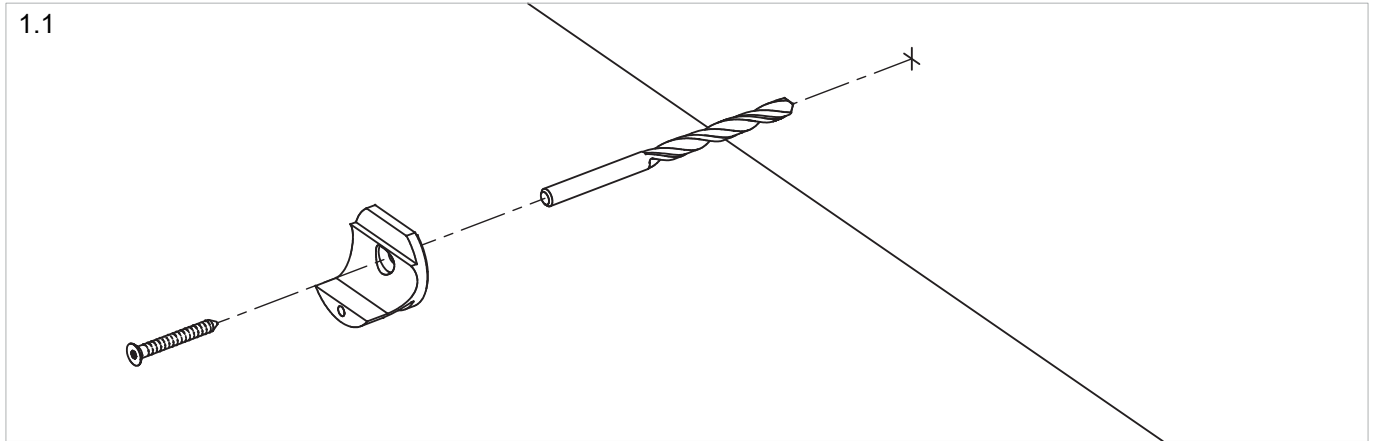
Stainless Steel Design
Anthracite Black Design



Important: The glass clamping and drill hole area must be cleaned before installation.
(Do not use thinners/solvents!)

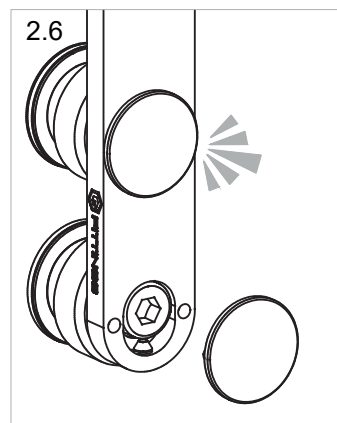
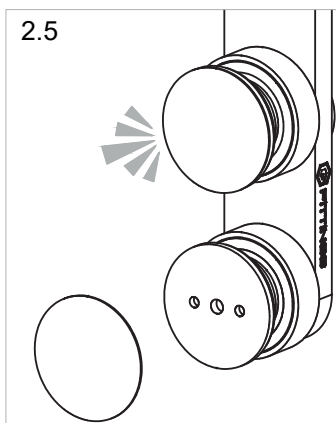
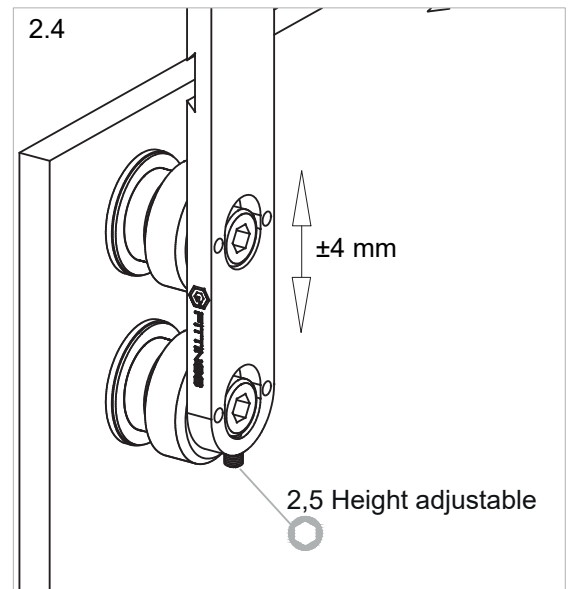
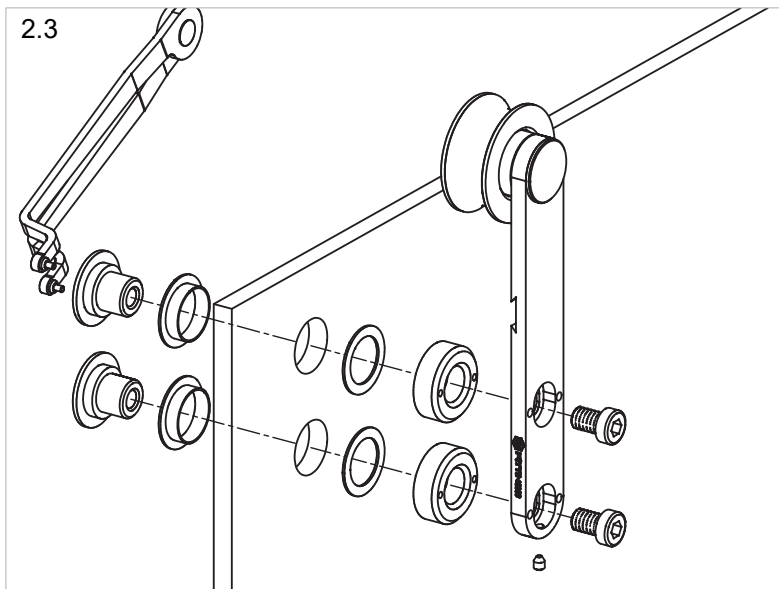
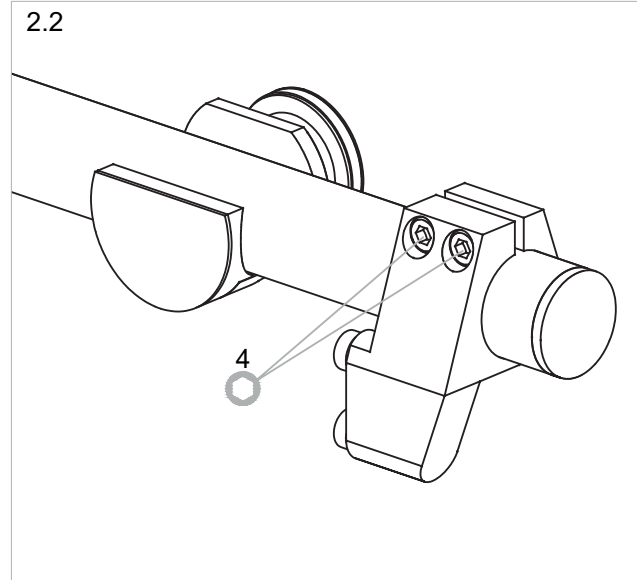
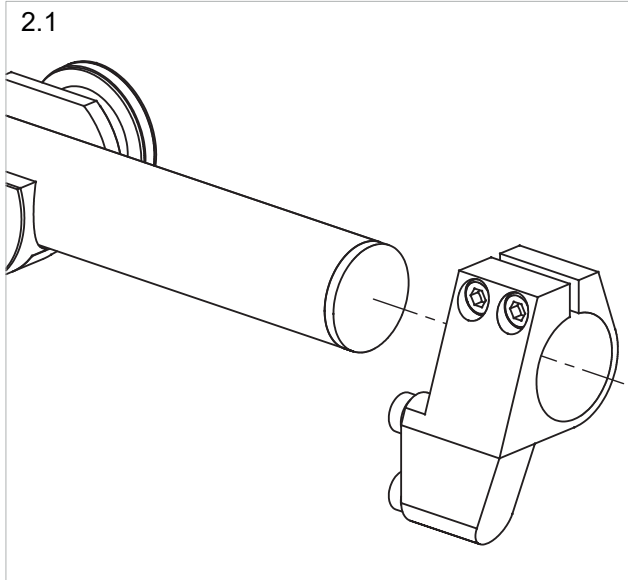
Sliding Glass Barn Door Runner Installation

Stainless Steel Design
Anthracite Black Design



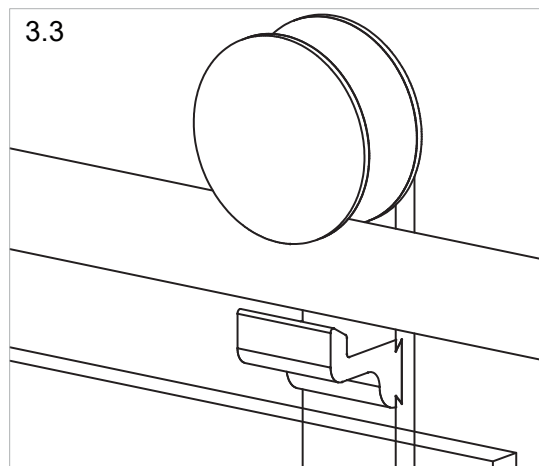
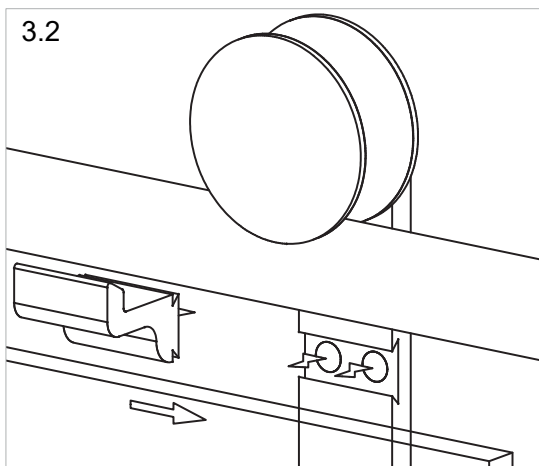
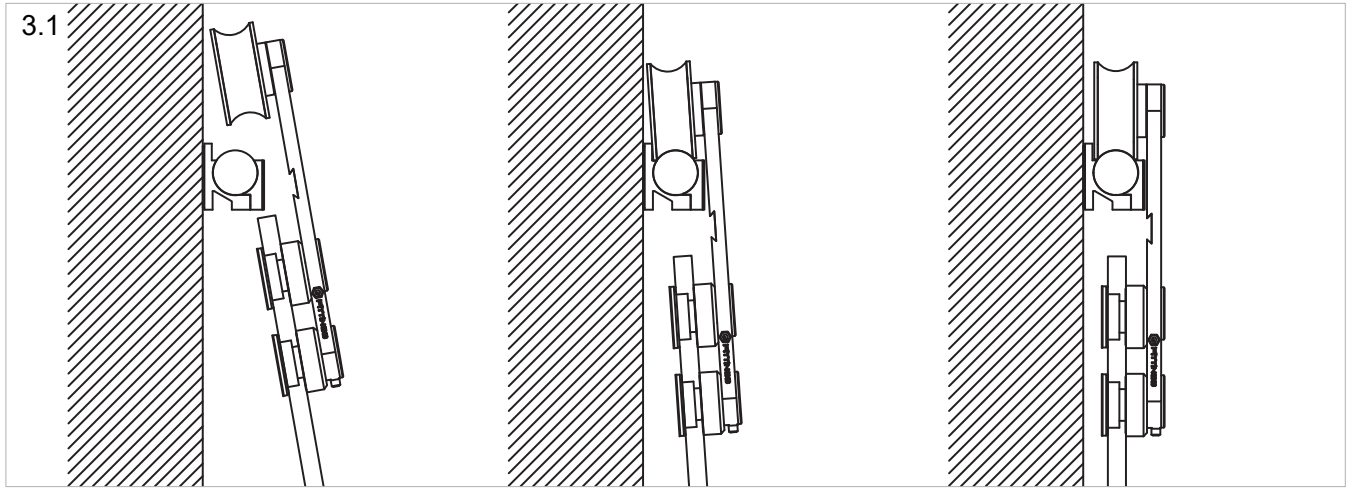
Sliding Glass Barn Door Runner Installation

Stainless Steel Design
Anthracite Black Design



Sliding Glass Barn Door Runner Installation

Stainless Steel Design
Anthracite Black Design



Toolless installation of Anti-Lift, thanks to built-in magnet technology

