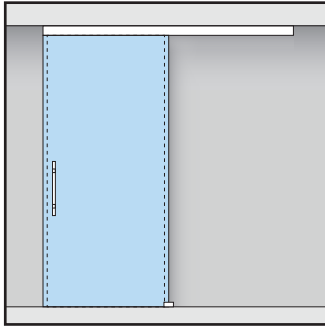


Sliding Glass Door Track Kit - Ceiling Mount Installation



Ceiling Mount

Aluminium

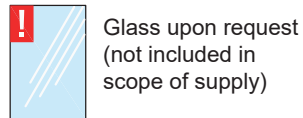
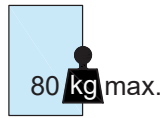
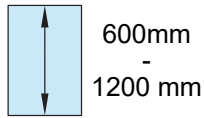
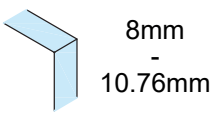
2500mm - 46.2000.250.46

Material: Aluminium

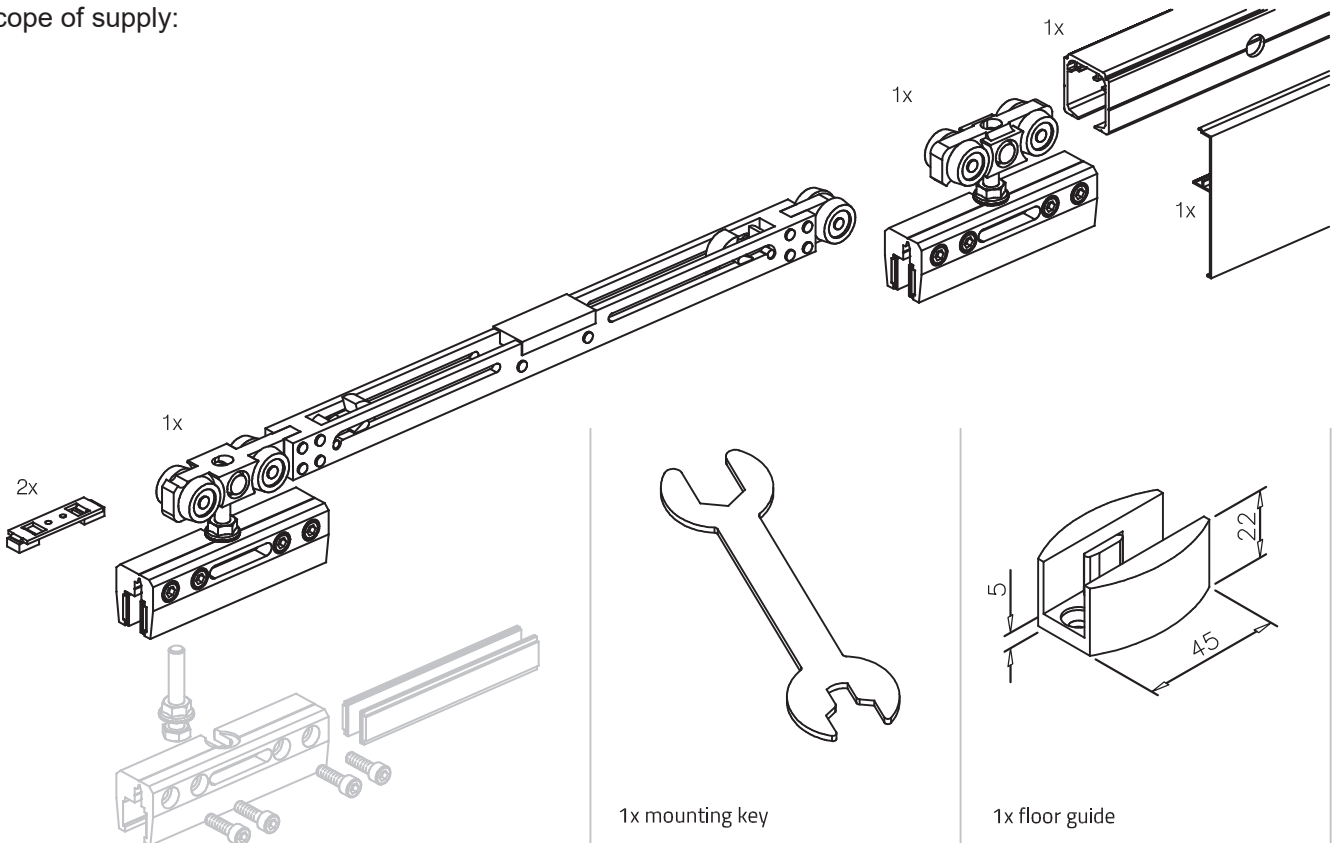
Weight: 11,76kg

Finish: Stainless steel design

Door: Glass



Scope of supply:

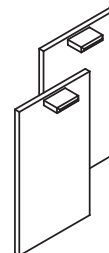


1x mounting key

1x floor guide

End Caps Not Included:

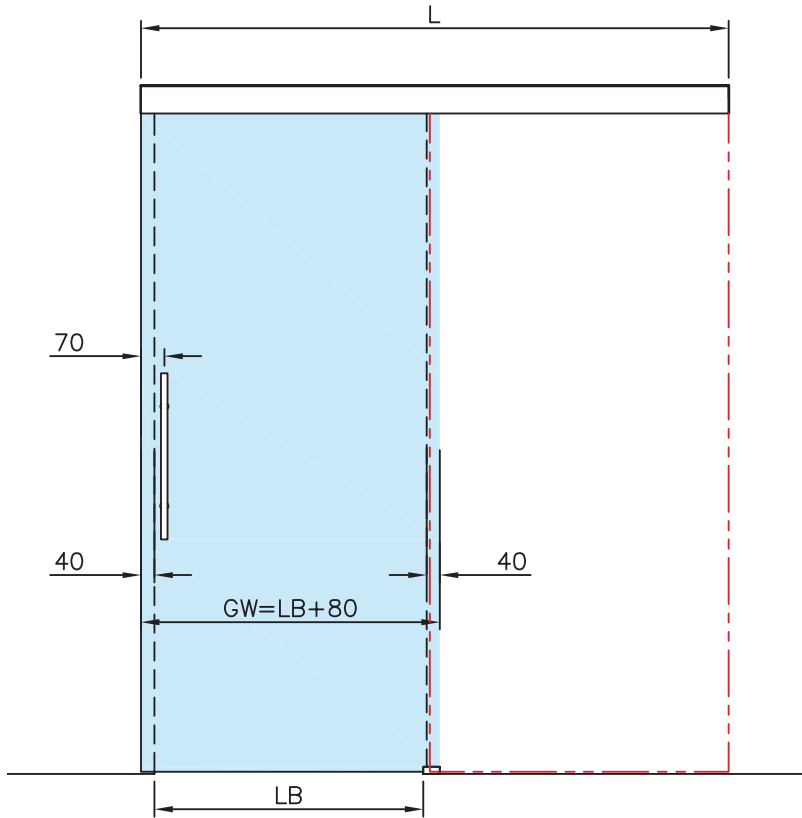
Optional End Caps:
1x 46.2011.000.00



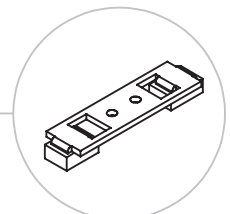
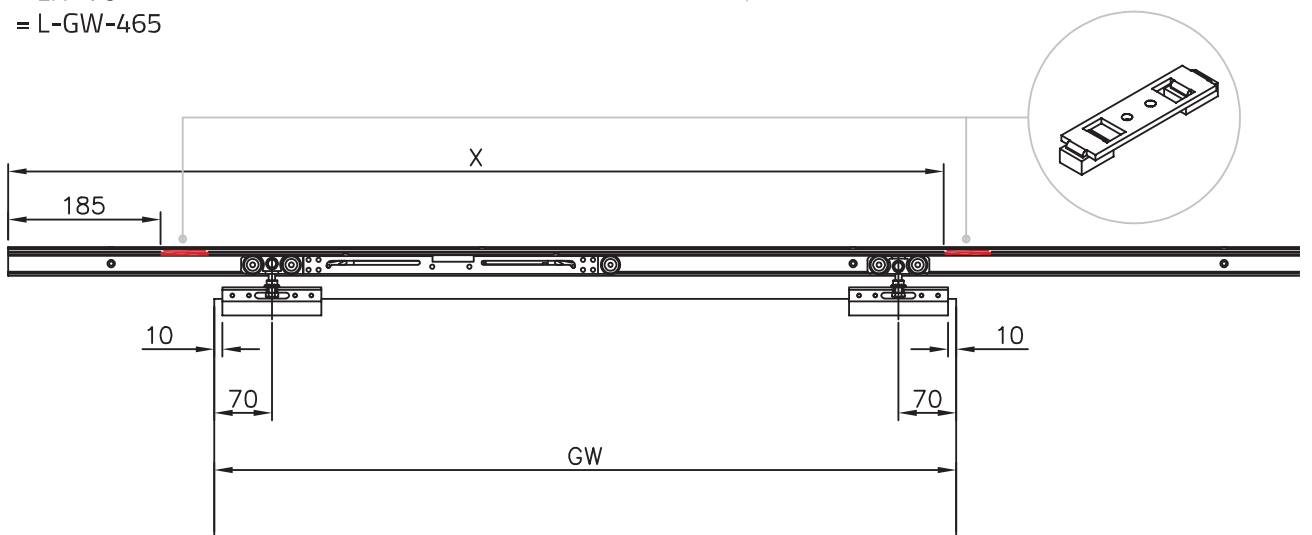
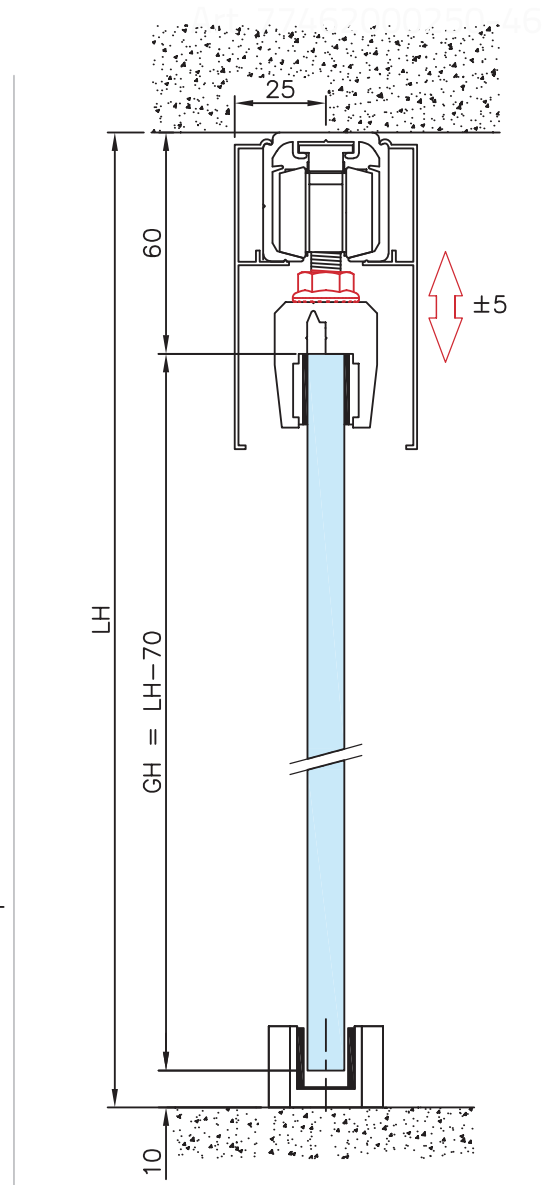
*Glass and door handle not included

Sliding Glass Door Track Kit - Ceiling Mount Installation

dimensions:

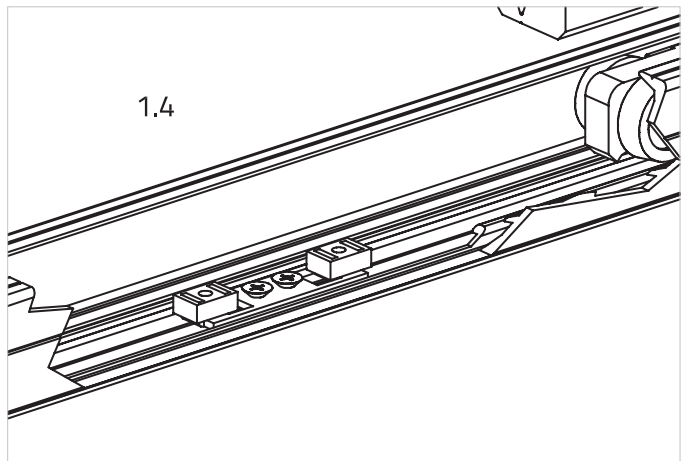
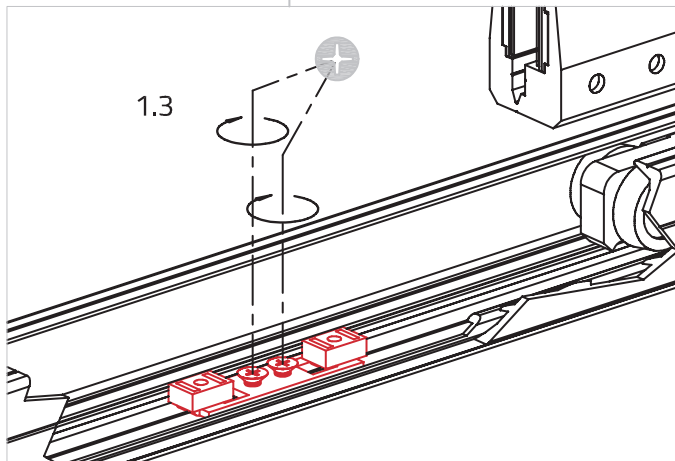
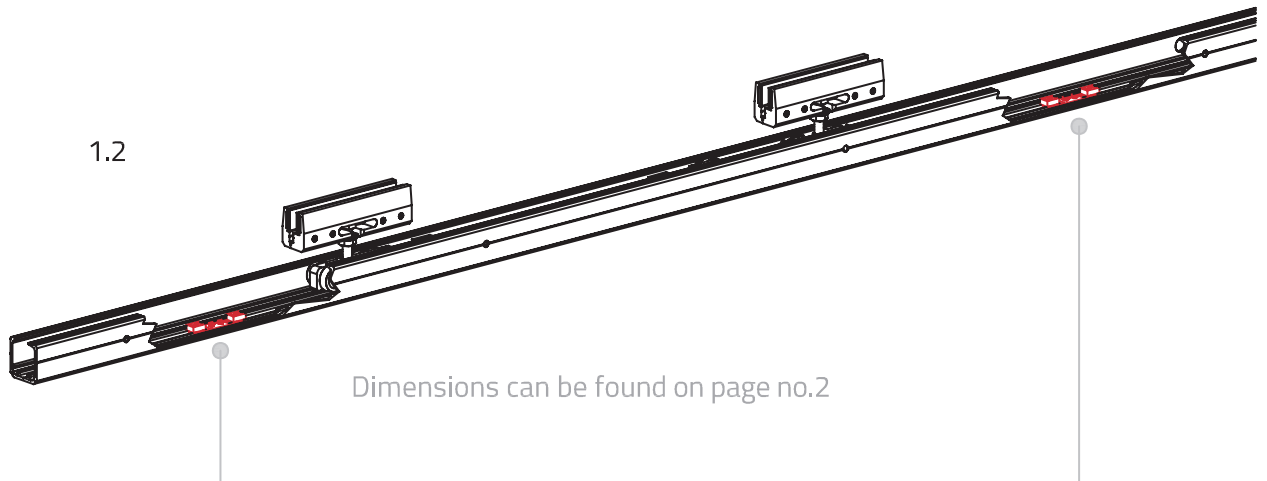
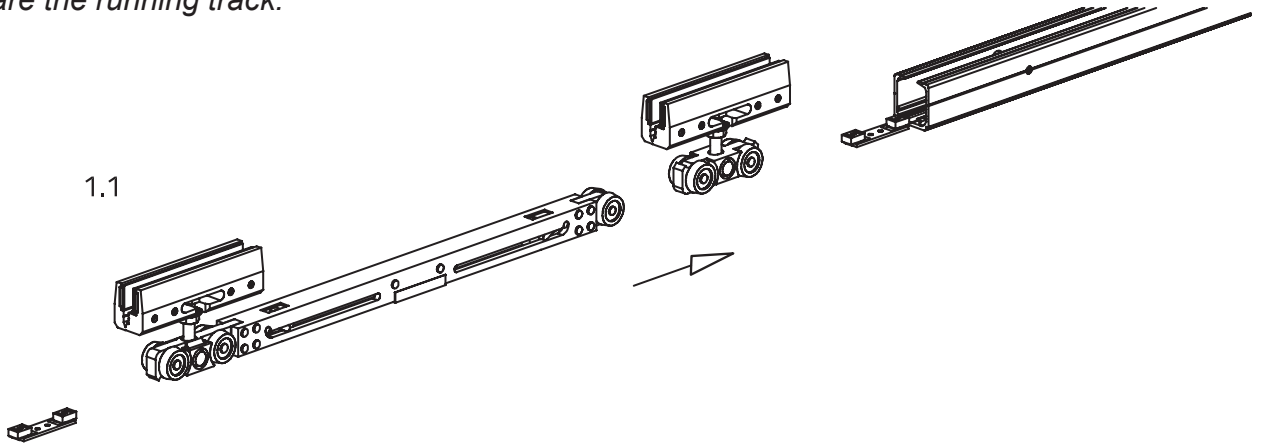


- LB = min. 520mm - max. 1120mm
- GW = LB + 80mm (min. 600mm - max. 1200mm)
- L = (GW x 2) - 60
- GH = LH - 70
- X = L - GW - 465



Sliding Glass Door Track Kit - Ceiling Mount Installation

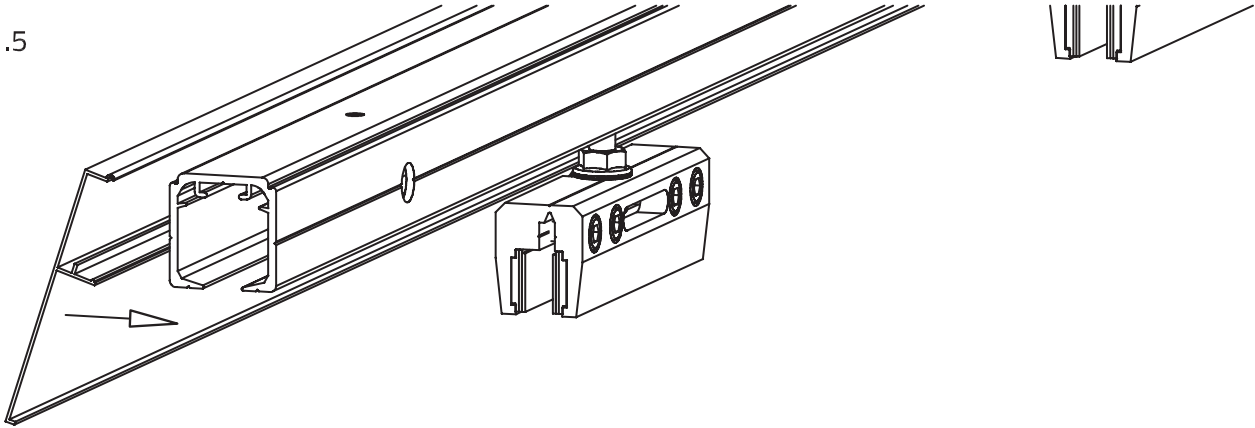
1. Prepare the running track:



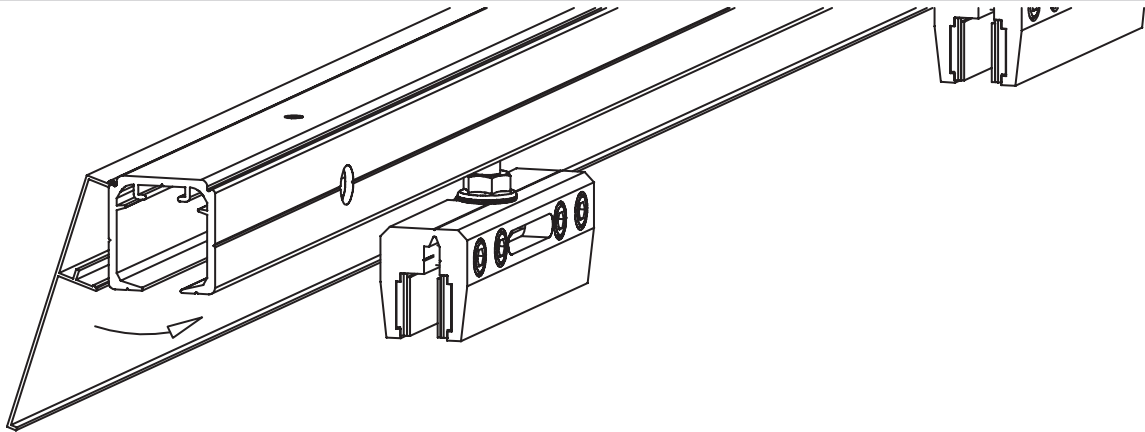
Sliding Glass Door Track Kit - Ceiling Mount Installation

1. Prepare the running track:

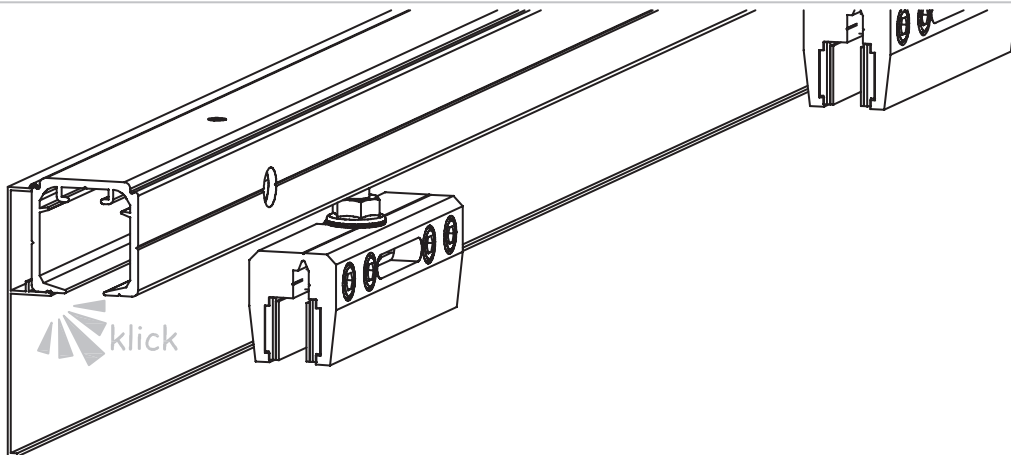
1.5



1.6

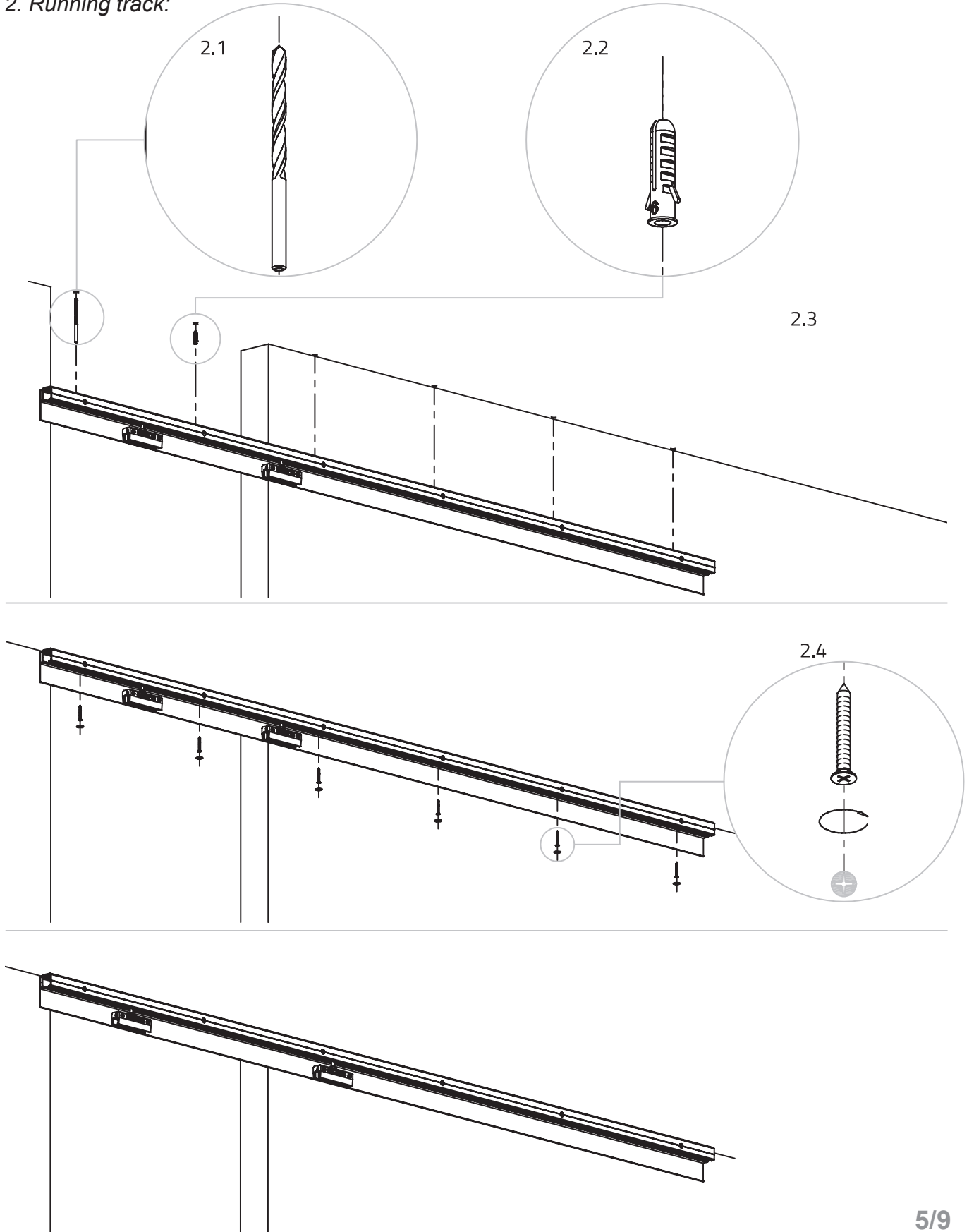


1.7



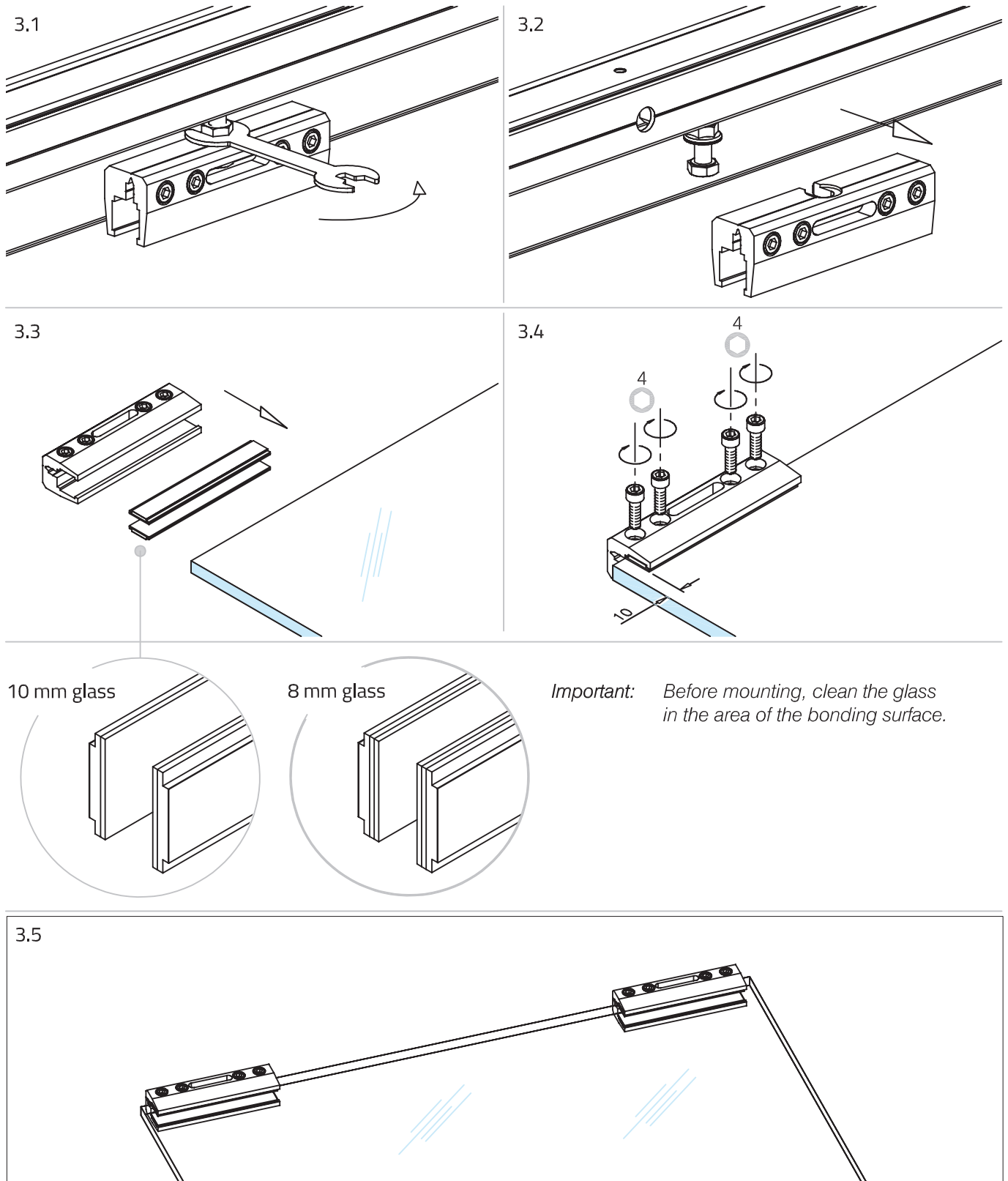
Sliding Glass Door Track Kit - Ceiling Mount Installation

2. Running track:



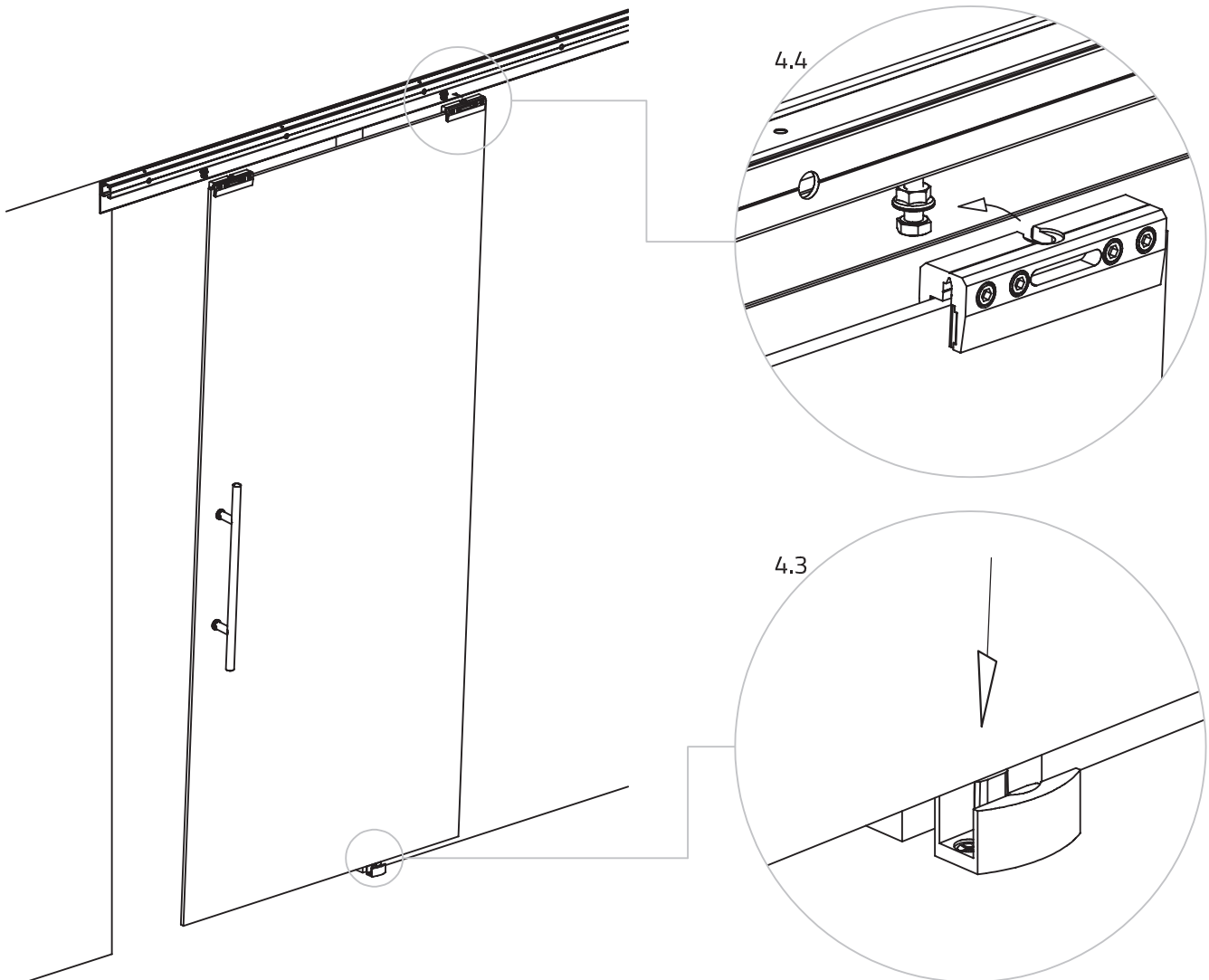
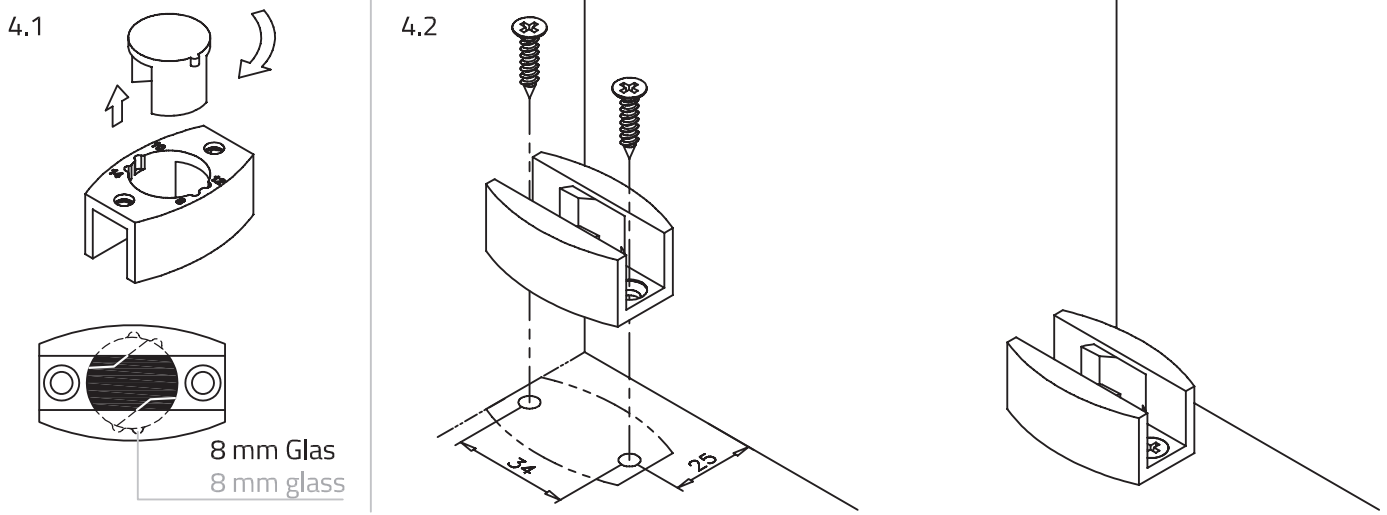
Sliding Glass Door Track Kit - Ceiling Mount Installation

3. Prepare glass door:



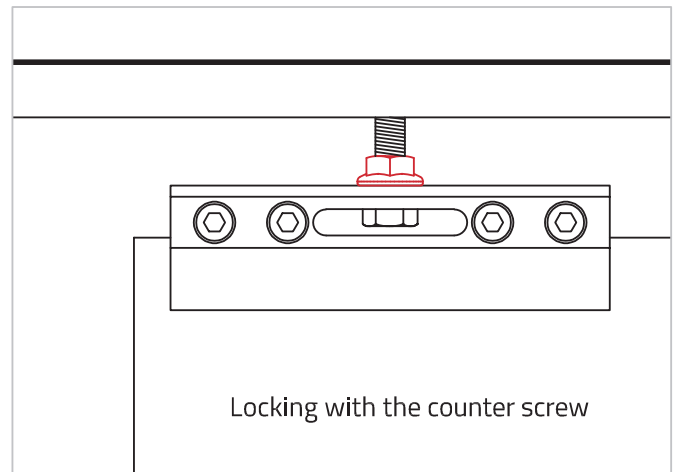
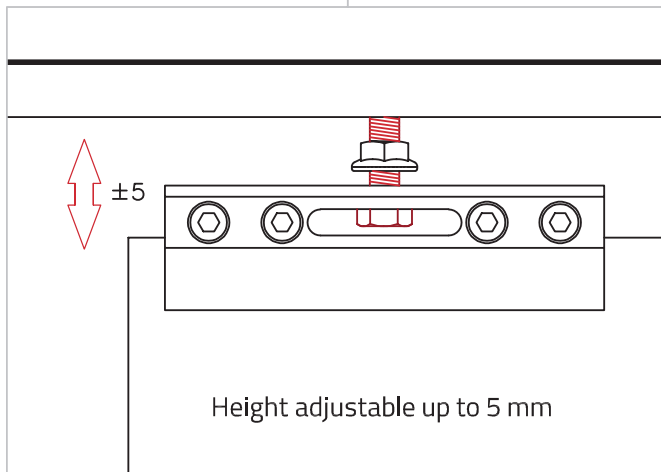
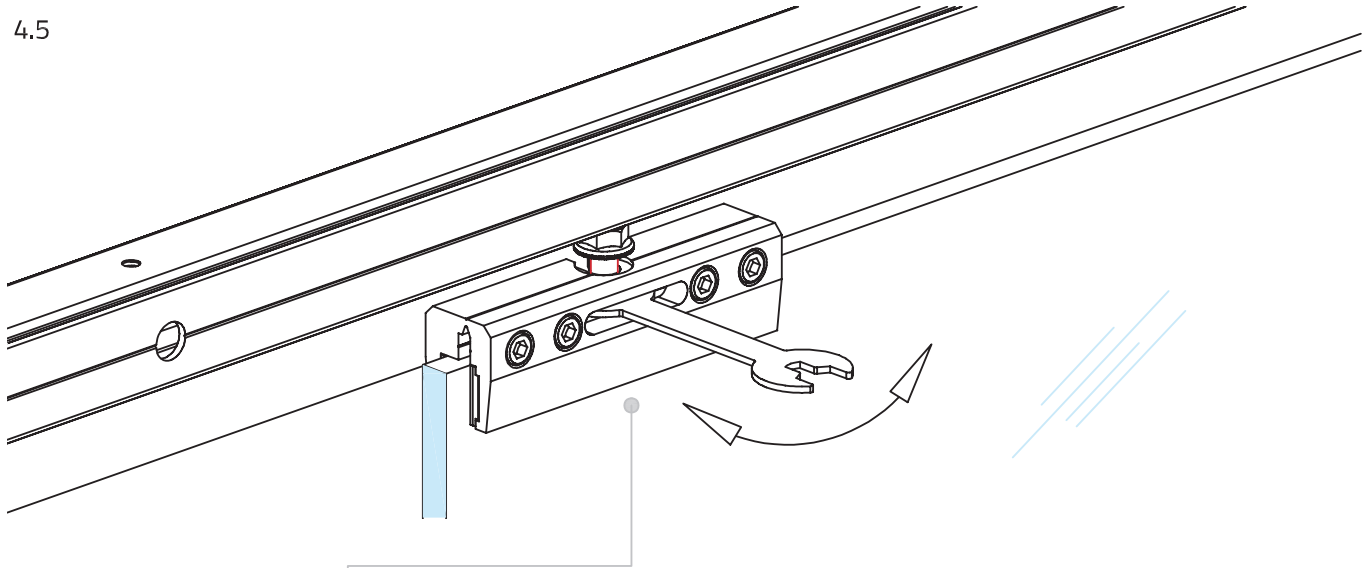
Sliding Glass Door Track Kit - Ceiling Mount Installation

4. Door guide and glass door mounting:

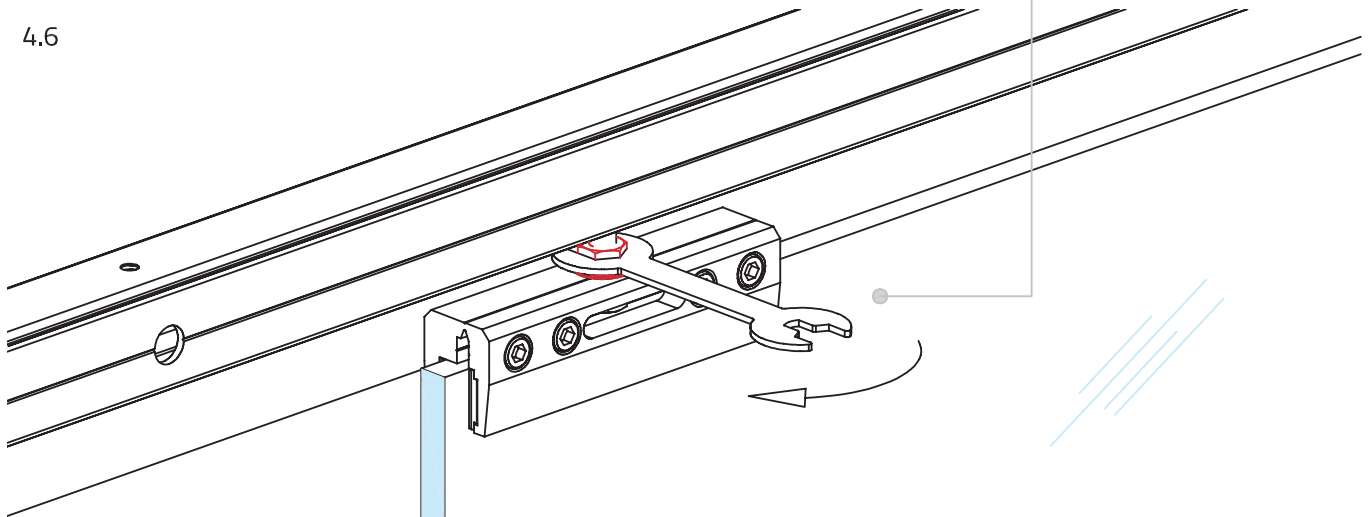


Sliding Glass Door Track Kit - Ceiling Mount Installation

4.5



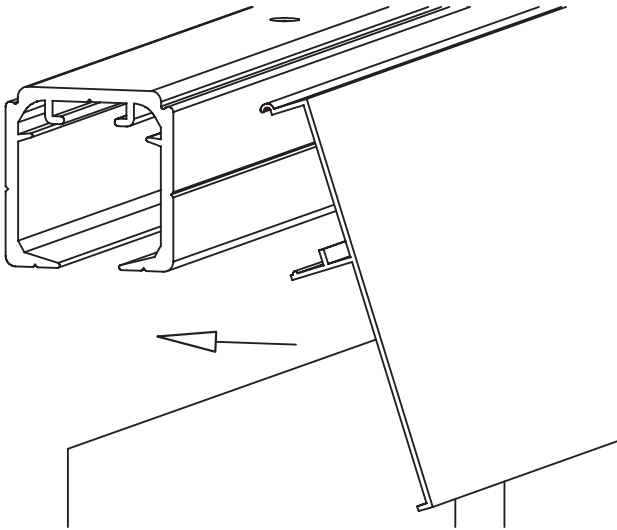
4.6



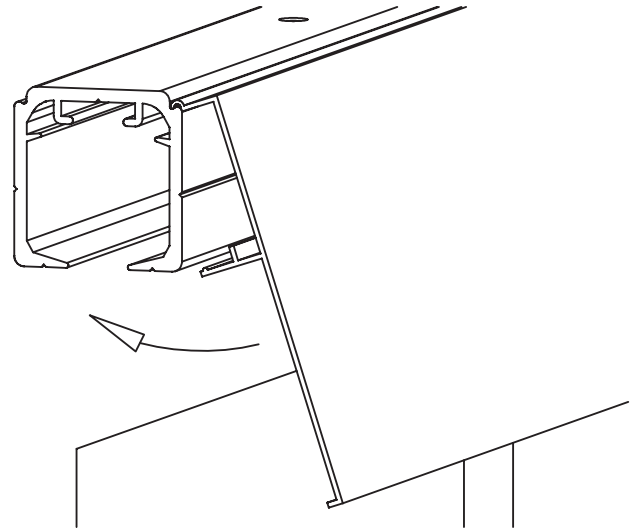
Sliding Glass Door Track Kit - Ceiling Mount Installation

5. mount cover profile and cover caps:

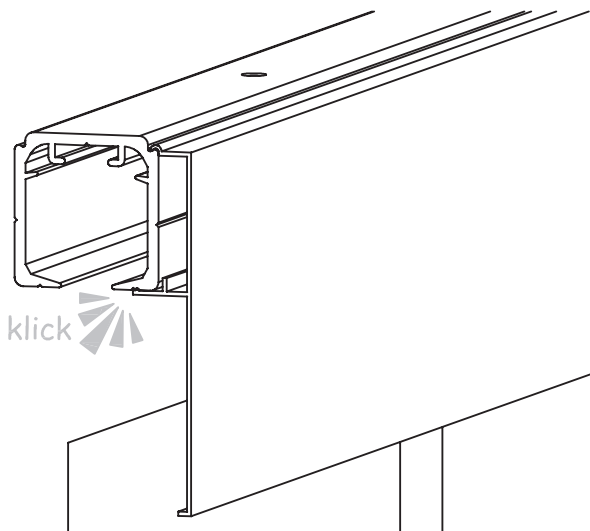
5.1



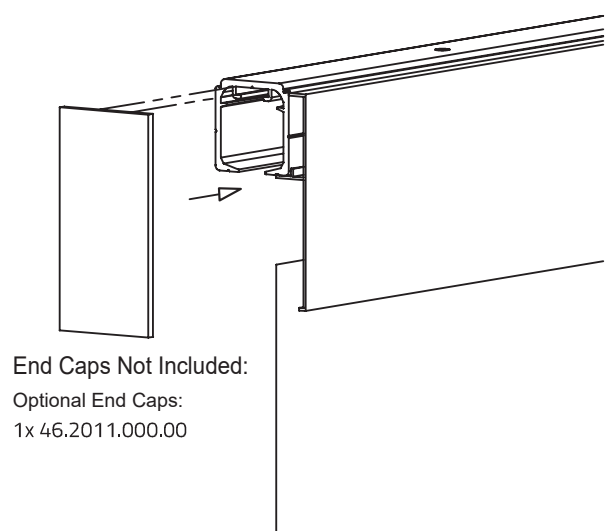
5.2



5.3



5.4



5.5

