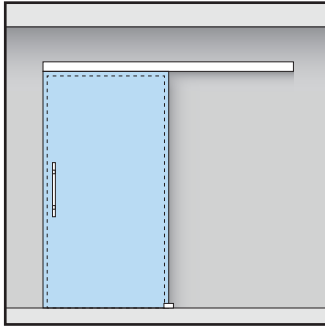


Sliding Glass Door Track Kit - Wall Mount Installation

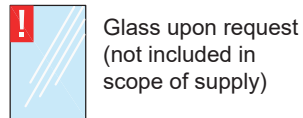
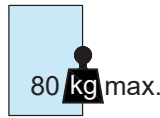
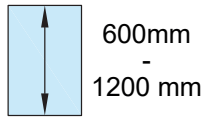
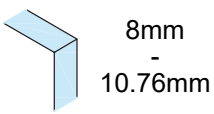


Wall Mount

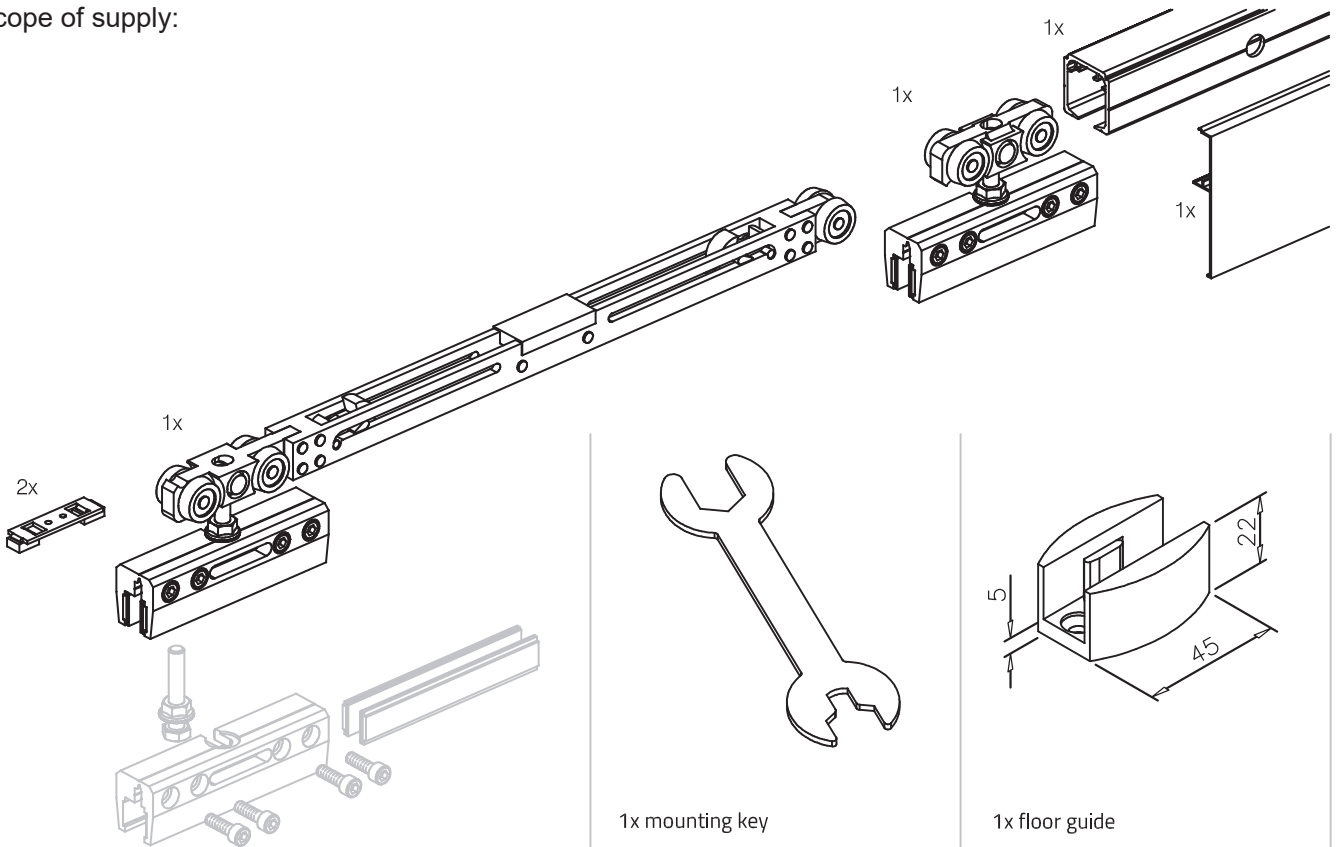
Aluminium

2500mm - 46.2000.250.46

Material:	Aluminium	Weight:	11,76kg
Finish:	Stainless steel design	Door:	Glass

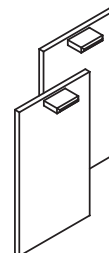


Scope of supply:



End Caps Not Included:

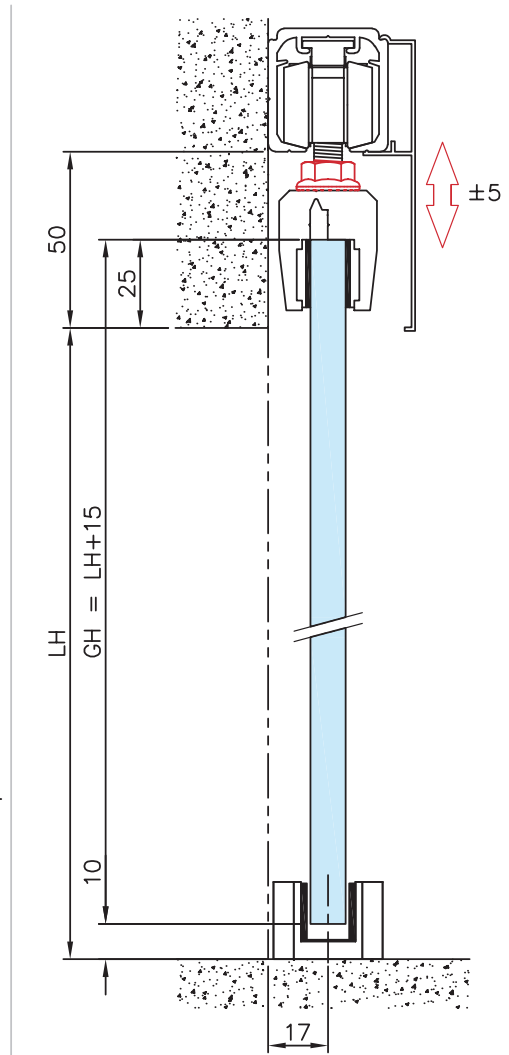
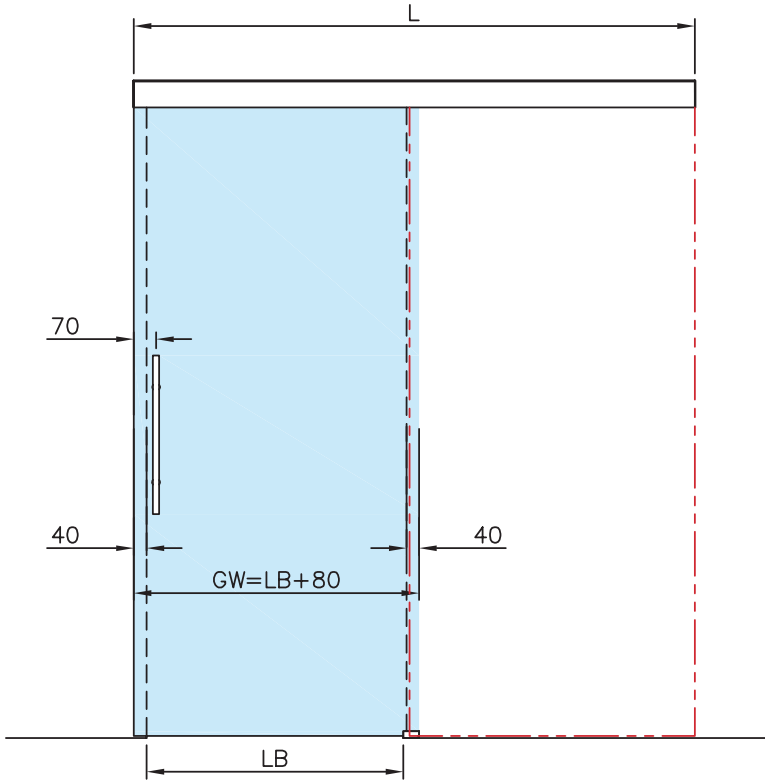
Optional End Caps:
1x 46.2010.000.00



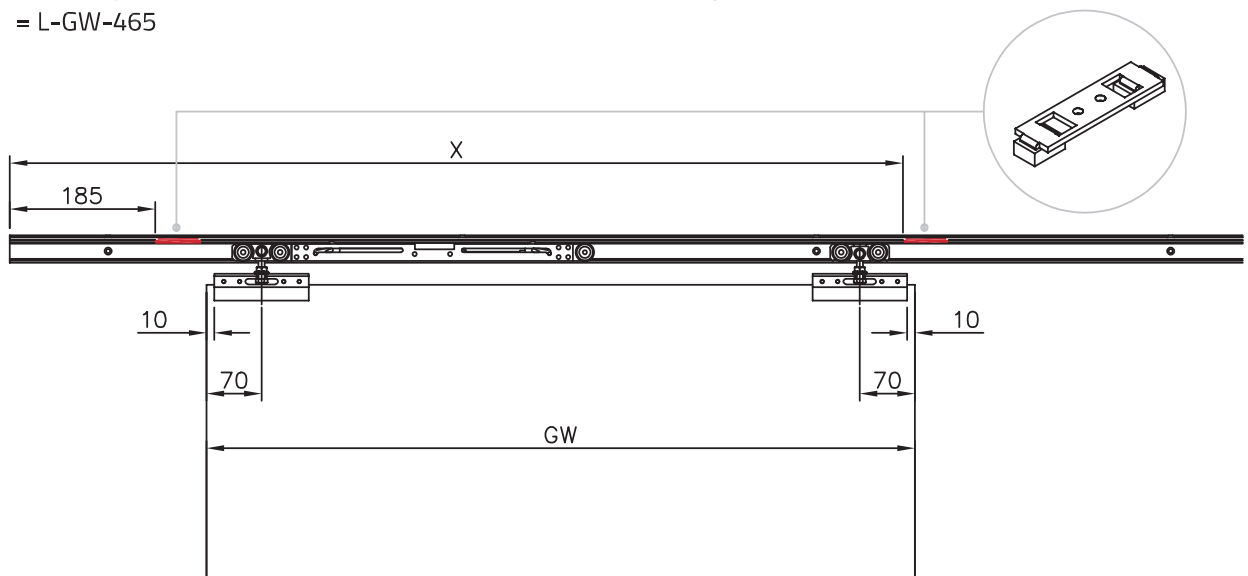
*Glass and door handle not included

Sliding Glass Door Track Kit - Wall Mount Installation

dimensions:

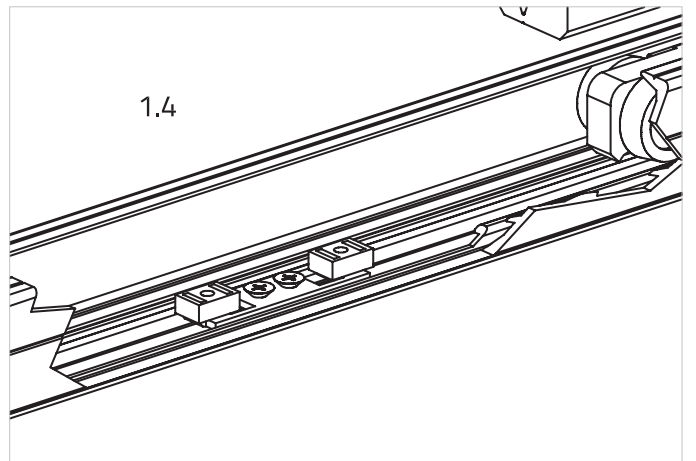
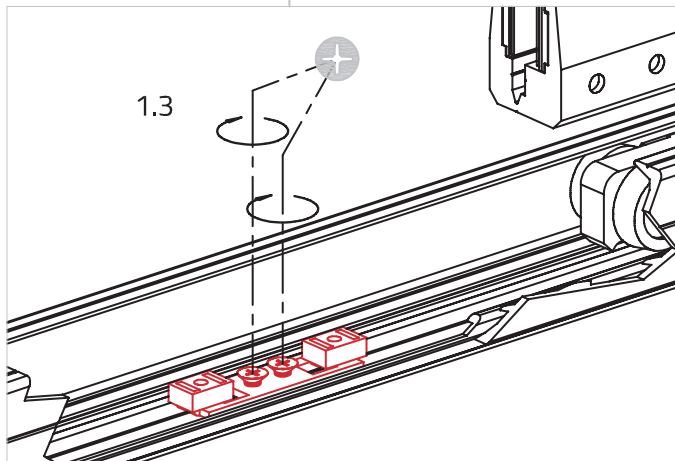
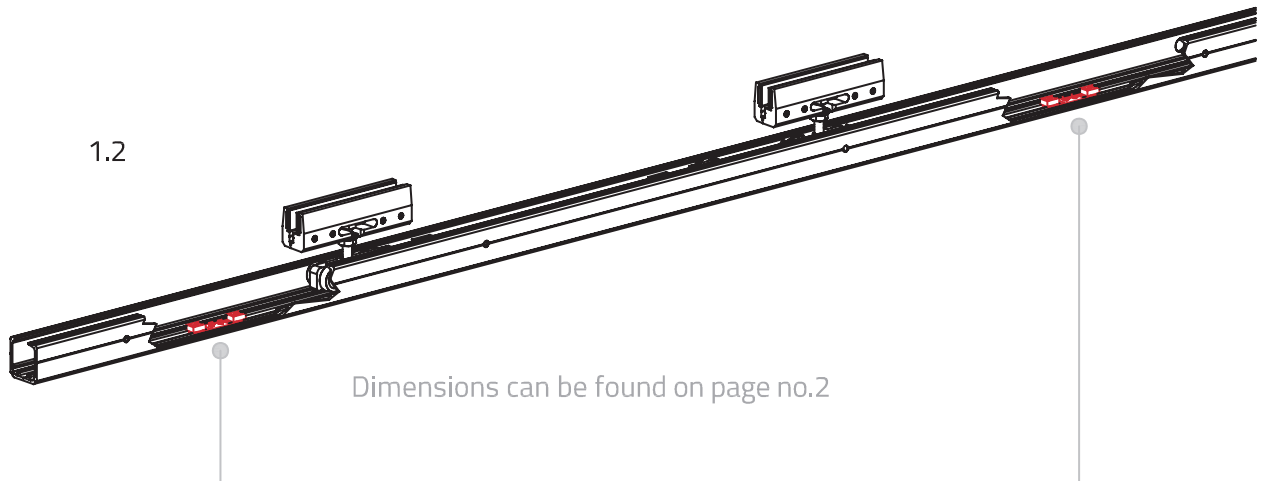
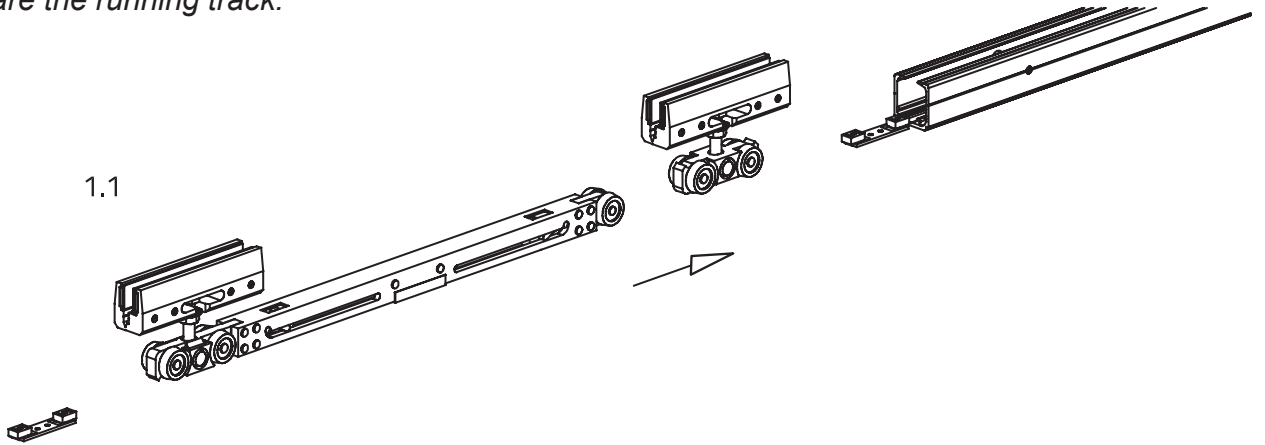


- LB = min. 520mm - max. 1120mm
- GW = LB + 80mm (min. 600mm - max. 1200mm)
- L = (GW x 2) - 60
- GH = LH + 15
- X = L - GW - 465



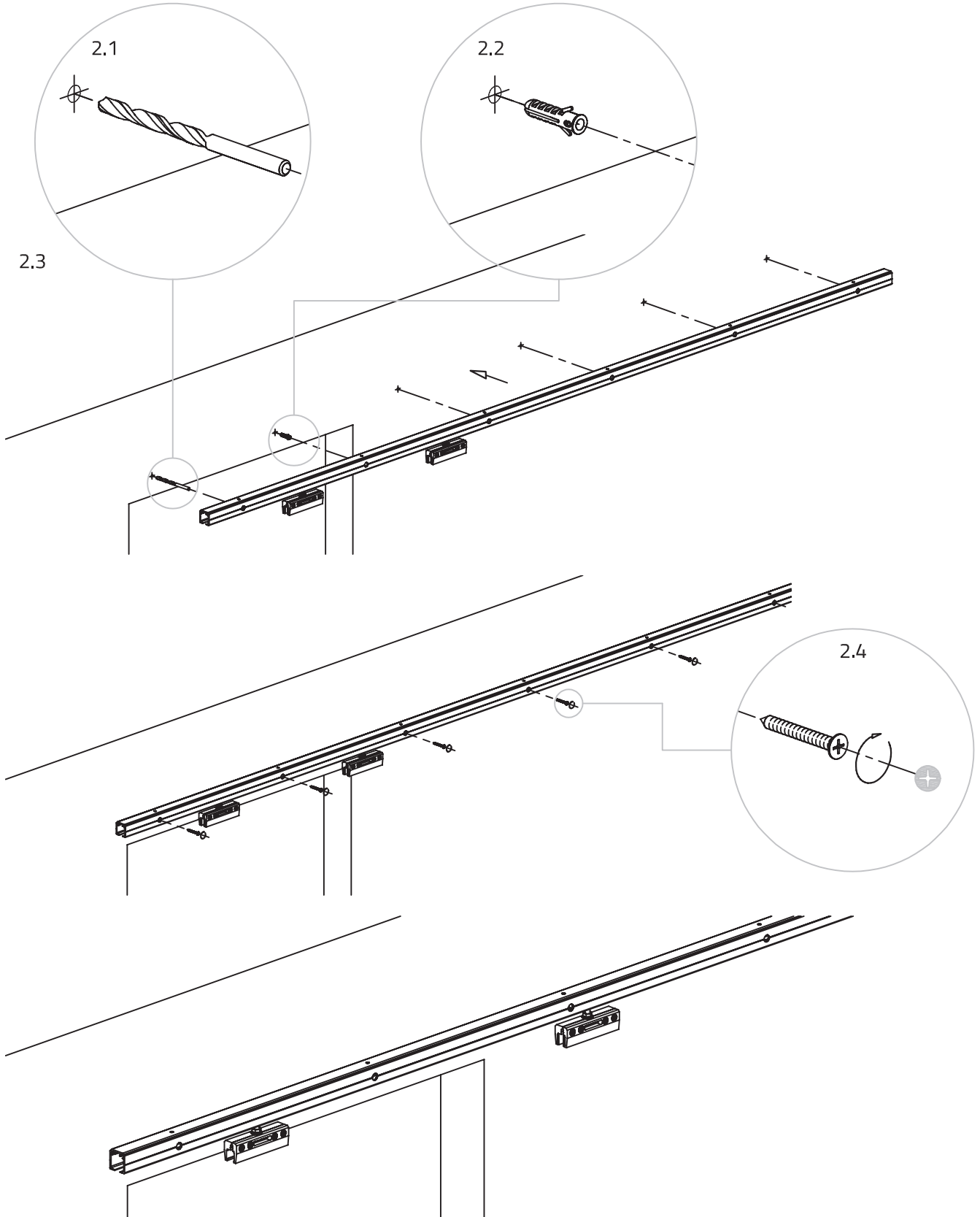
Sliding Glass Door Track Kit - Wall Mount Installation

1. Prepare the running track:



Sliding Glass Door Track Kit - Wall Mount Installation

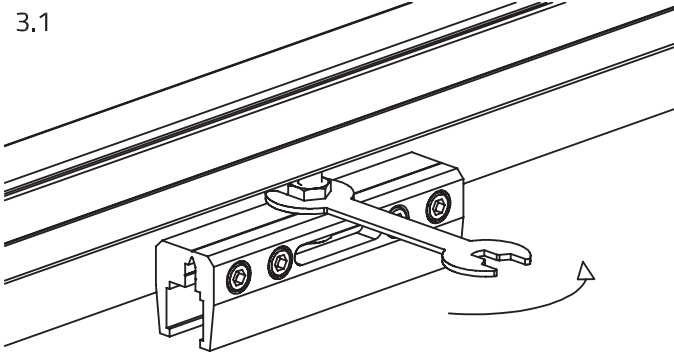
2. Running track



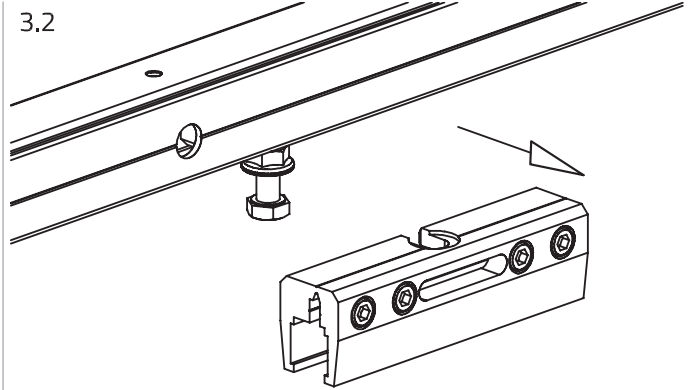
Sliding Glass Door Track Kit - Wall Mount Installation

3. Prepare glass door:

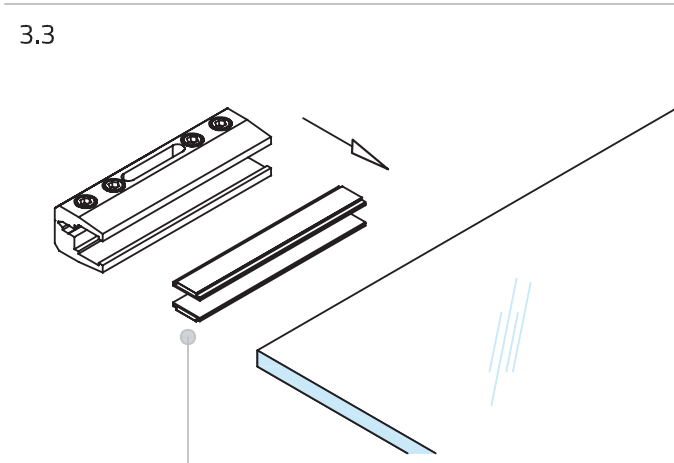
3.1



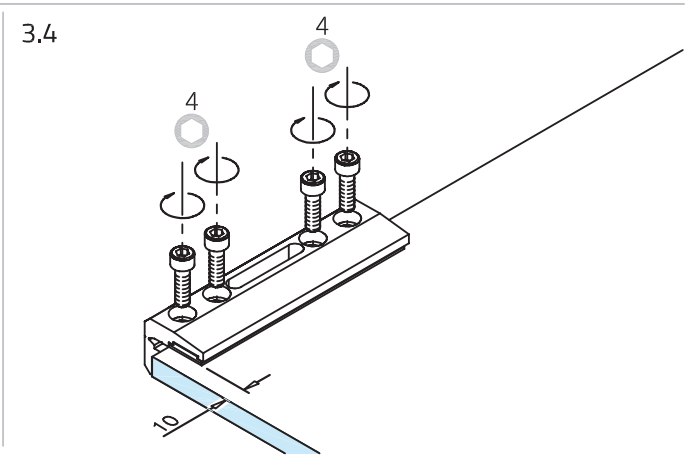
3.2



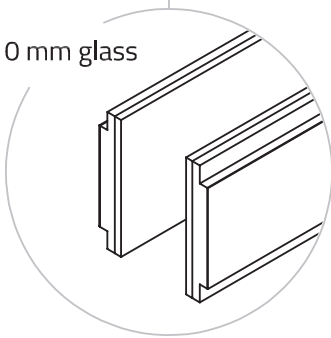
3.3



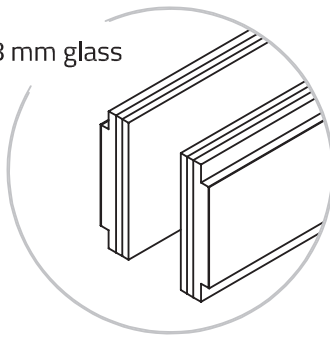
3.4



10 mm glass

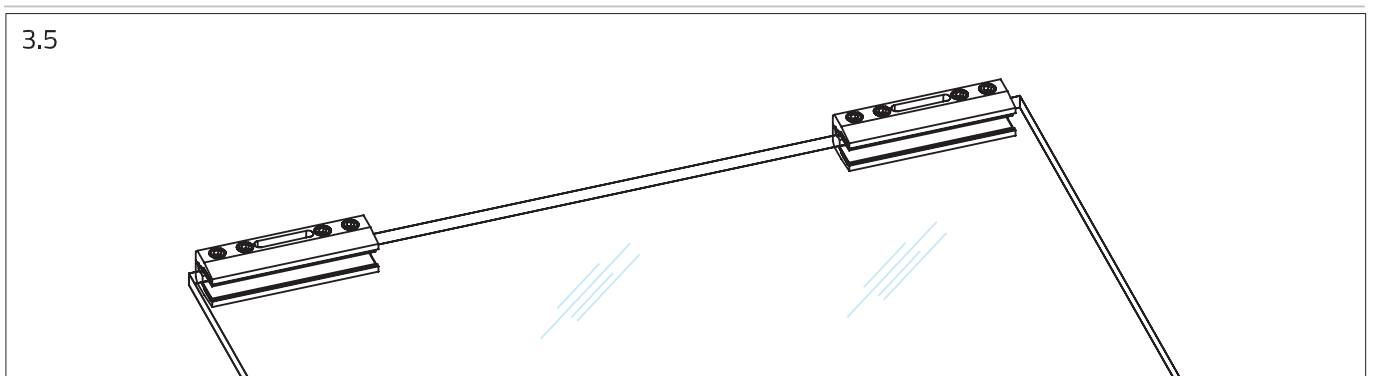


8 mm glass



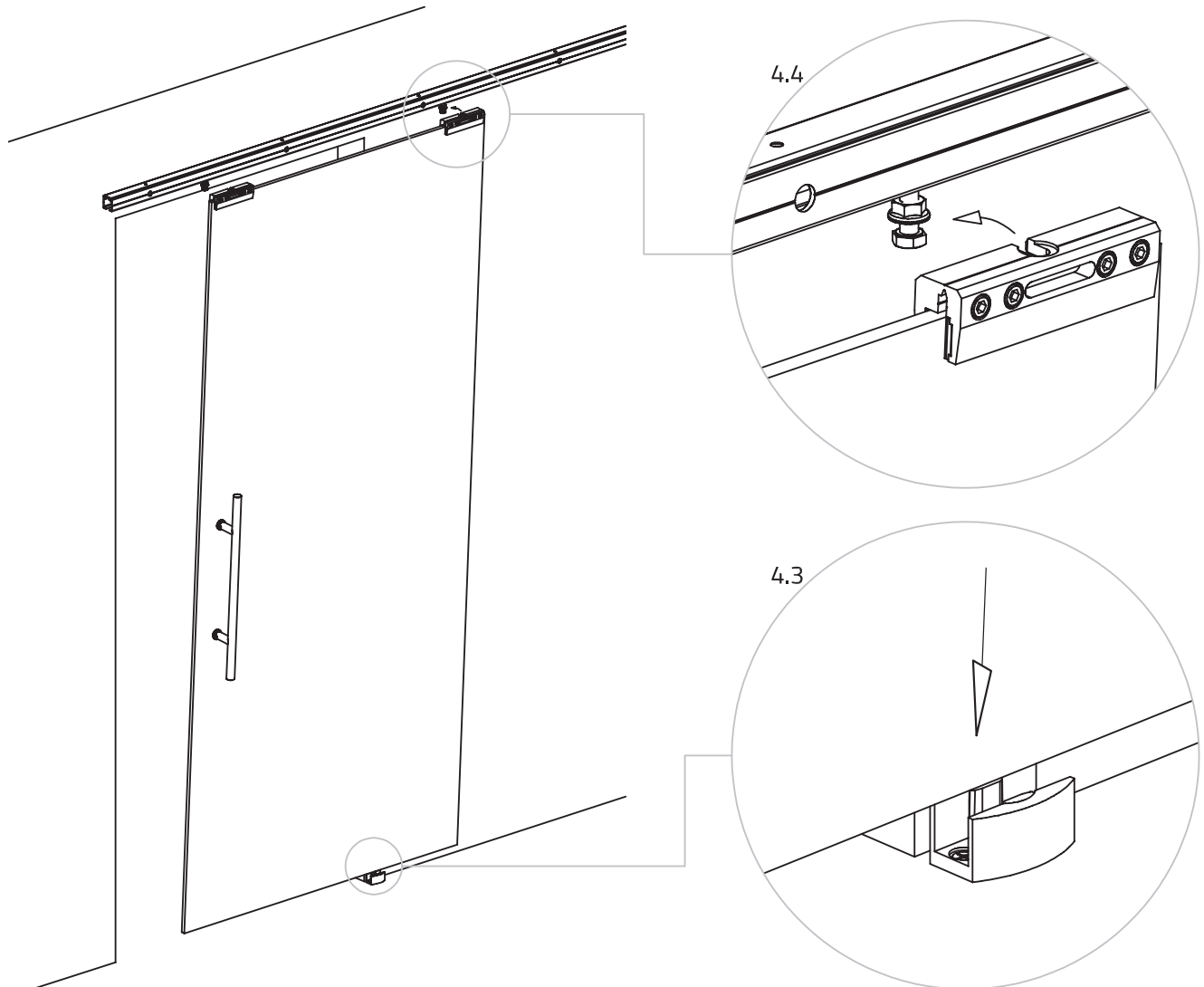
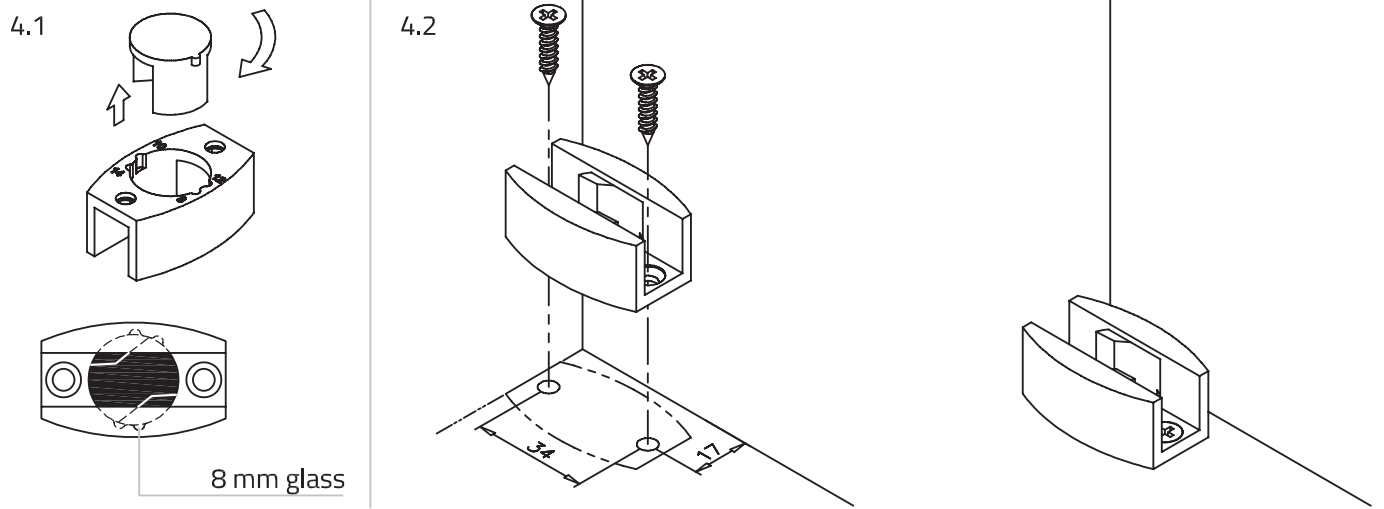
Important: Before mounting, clean the glass in the area of the bonding surface.

3.5



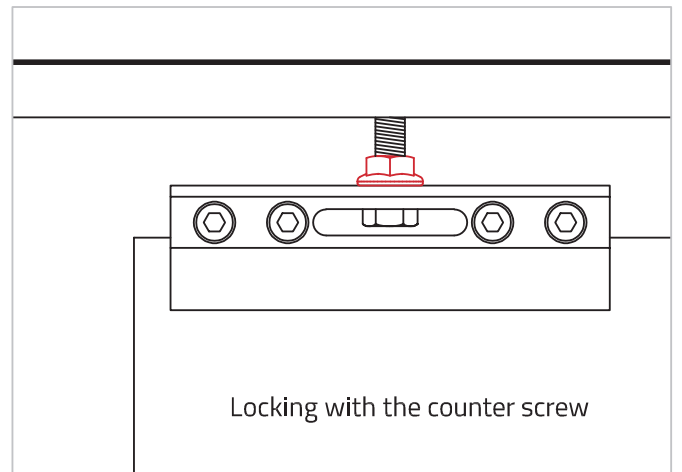
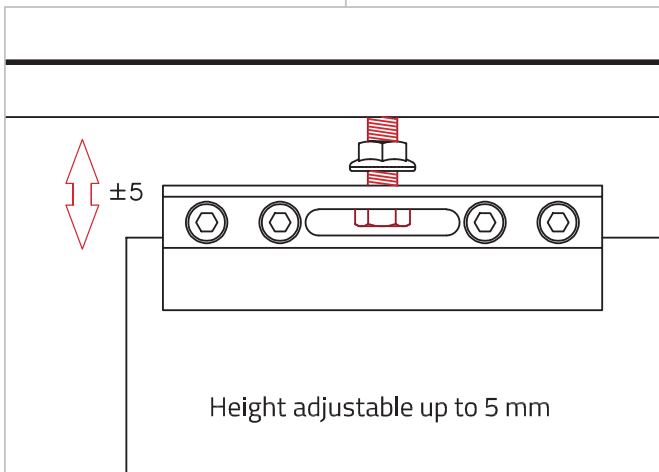
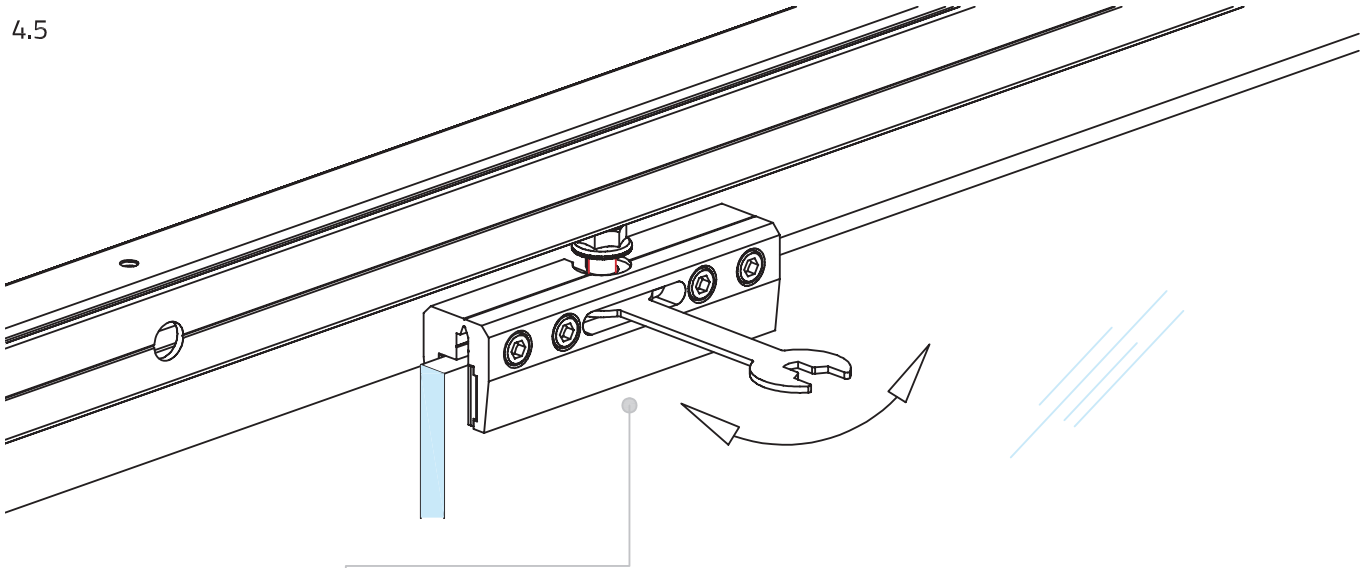
Sliding Glass Door Track Kit - Wall Mount Installation

4. Door guide and glass door mounting:

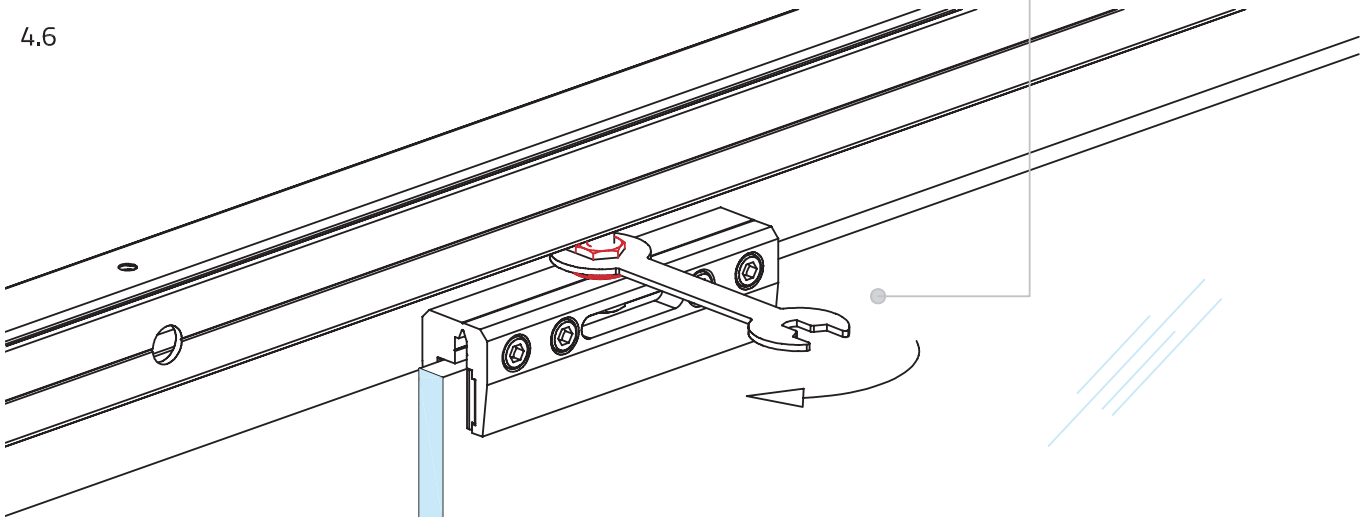


Sliding Glass Door Track Kit - Wall Mount Installation

4.5



4.6



Sliding Glass Door Track Kit - Wall Mount Installation

5. Mount cover profile and cover caps:

