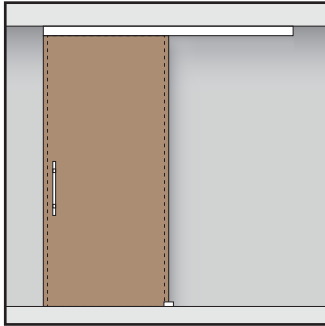


# Sliding Wooden Door Track - Ceiling Mount Installation

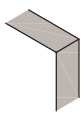


## Ceiling Mount

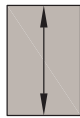
Aluminium

2500mm - 46.2005.250.46

Material:	Aluminium	Weight:	12,3kg
Finish:	Silver matt anodised	Door:	Wood



25mm  
40mm



600mm  
1200 mm

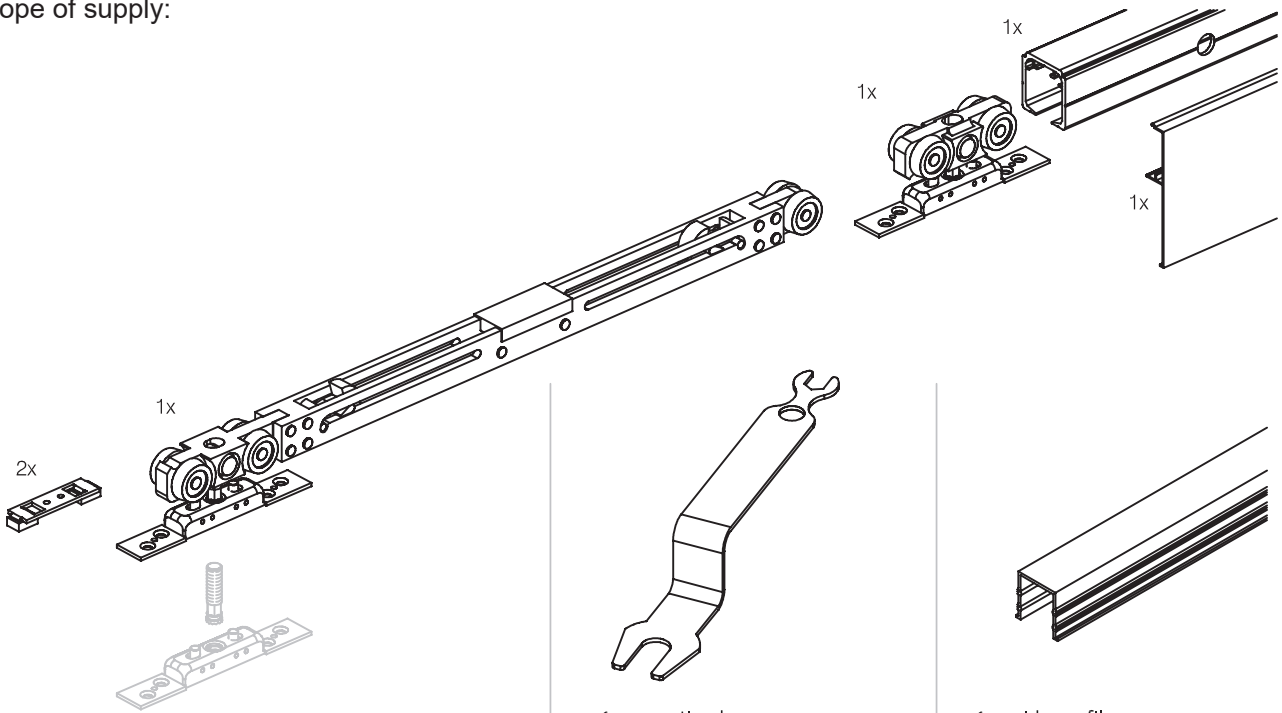


80 kg max.



Door not included in scope of supply

Scope of supply:



2x

1x

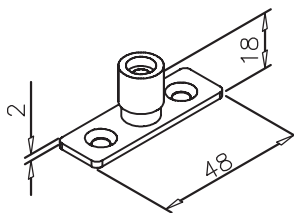
1x

1x

1x

1x mounting key

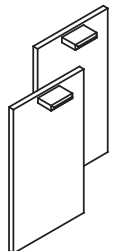
1x guide profile



1x floor guide

End Caps Not Included:

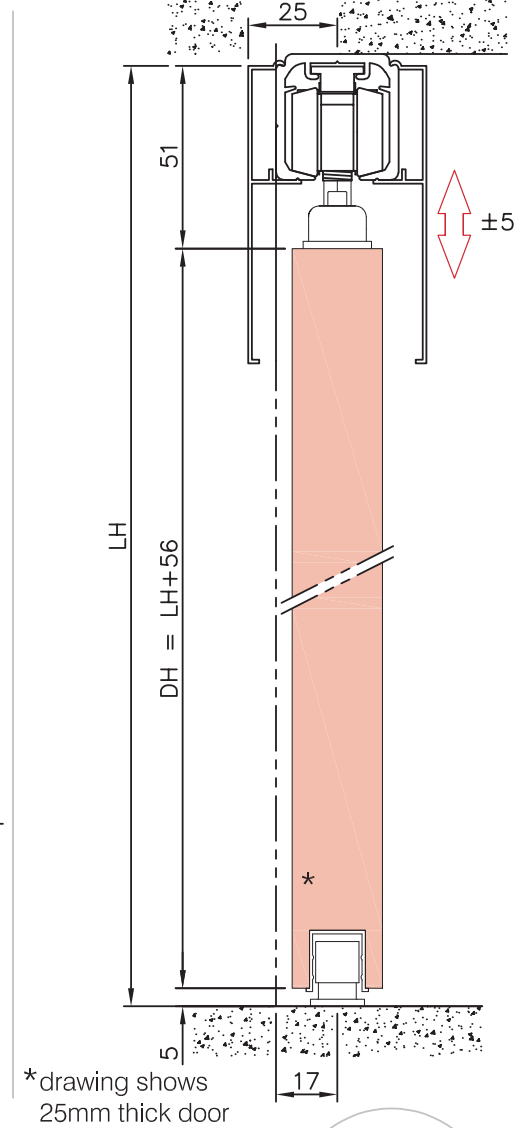
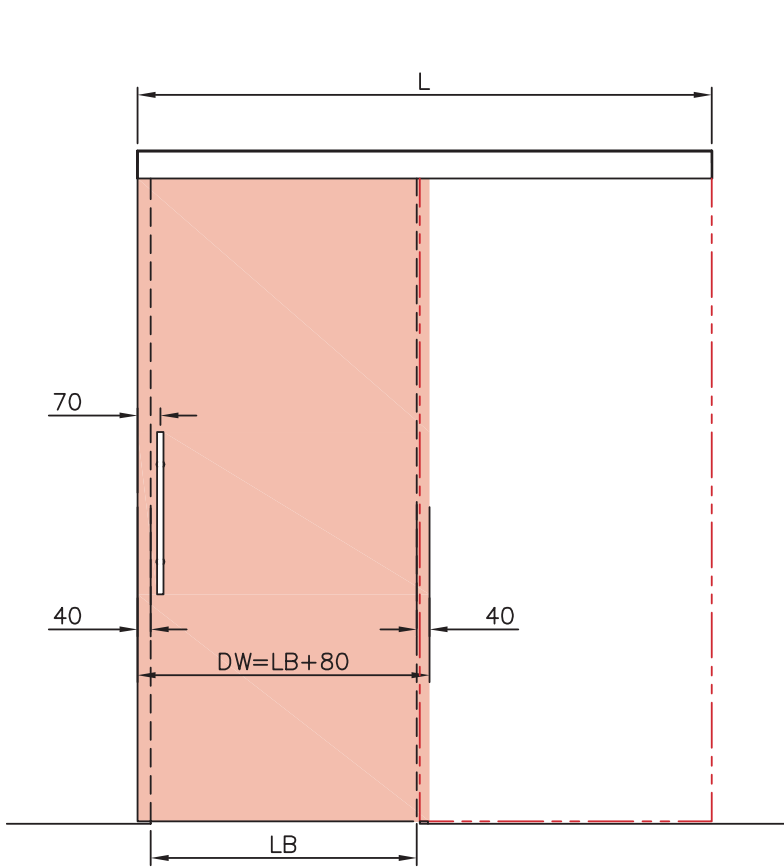
Optional End Caps:  
1x 46.2011.000.00



\*Glass and door handle not included

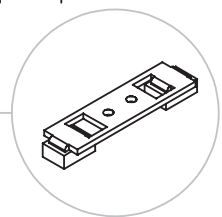
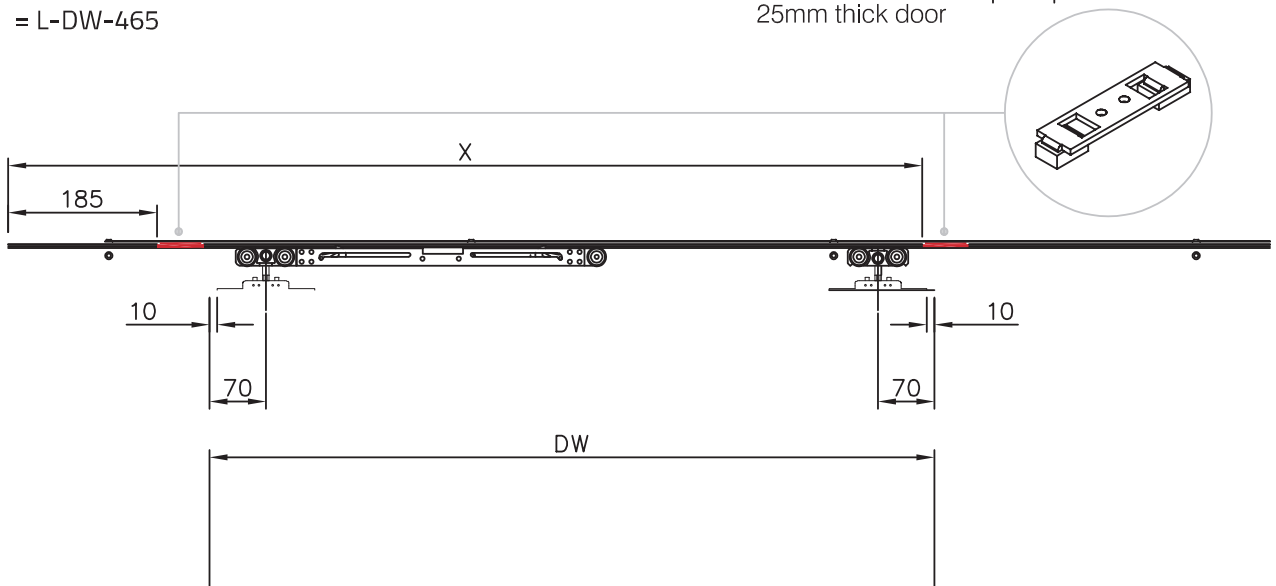
# Sliding Wooden Door Track - Ceiling Mount Installation

Dimensions:



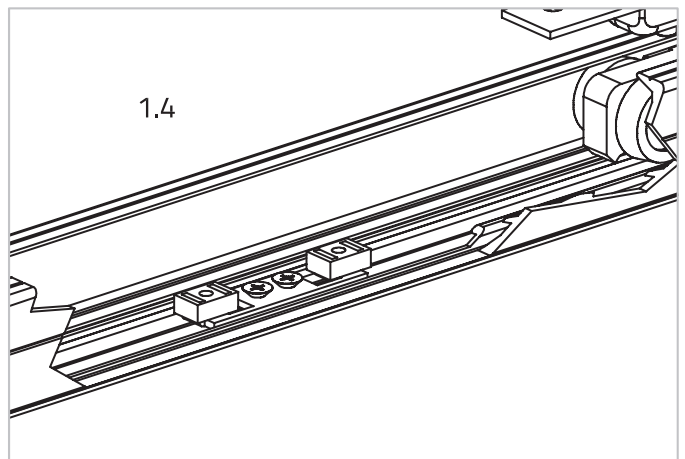
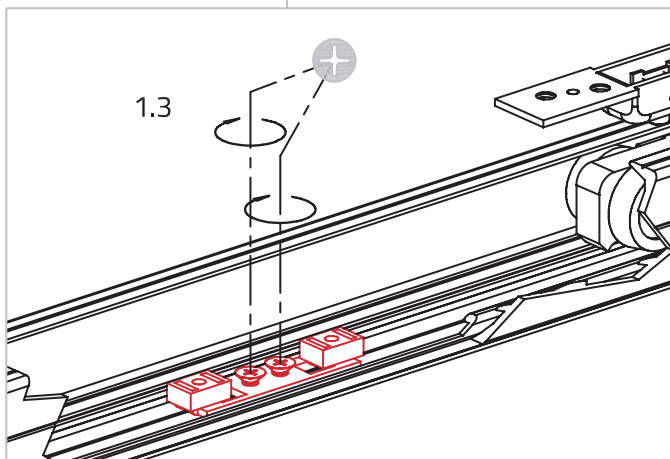
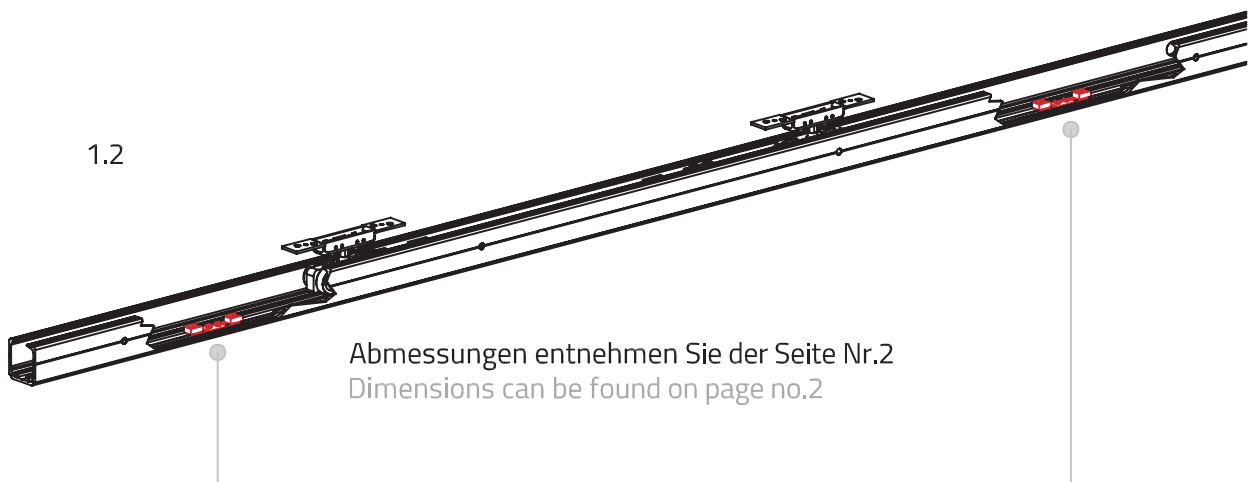
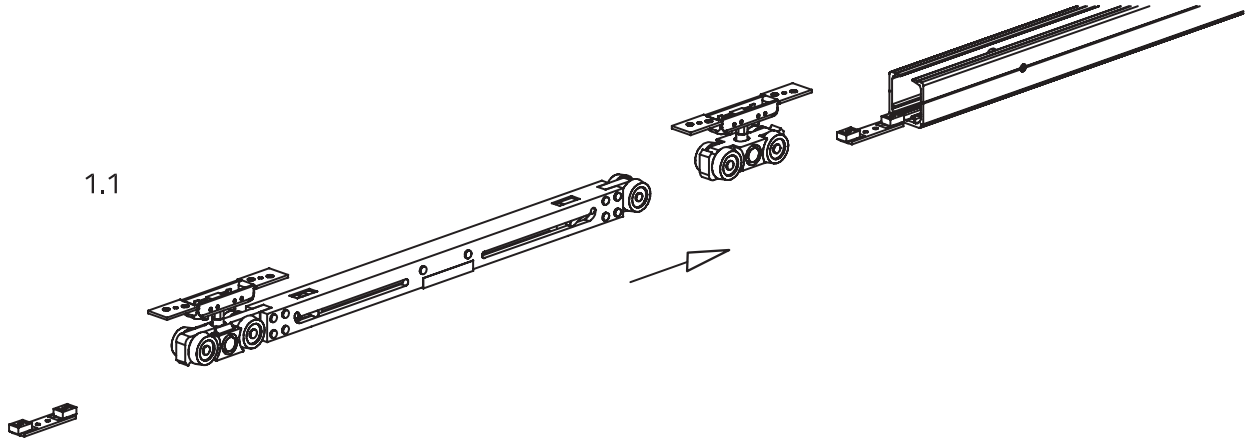
- LB = min. 520mm - max. 1120mm
- DW = LB + 80mm (min. 600mm - max. 1200mm)
- L = (DW x 2) - 60
- DH = LH + 56
- X = L - DW - 465

\*drawing shows 25mm thick door



# Sliding Wooden Door Track - Ceiling Mount Installation

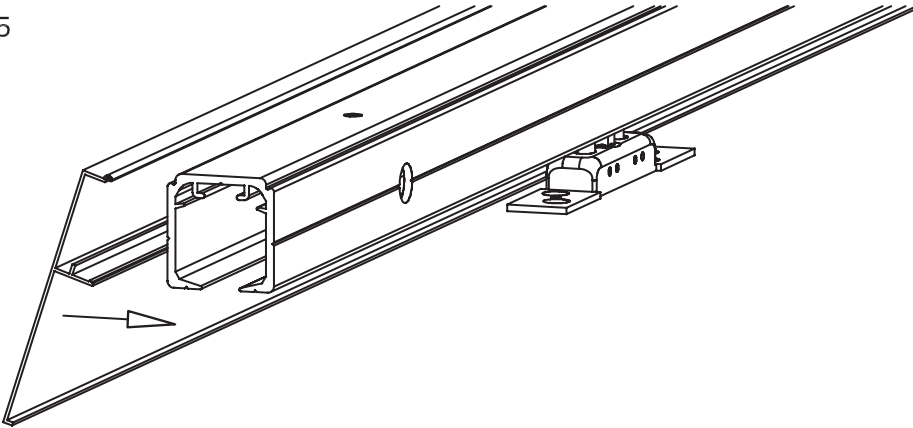
1. Prepare the tuning track:



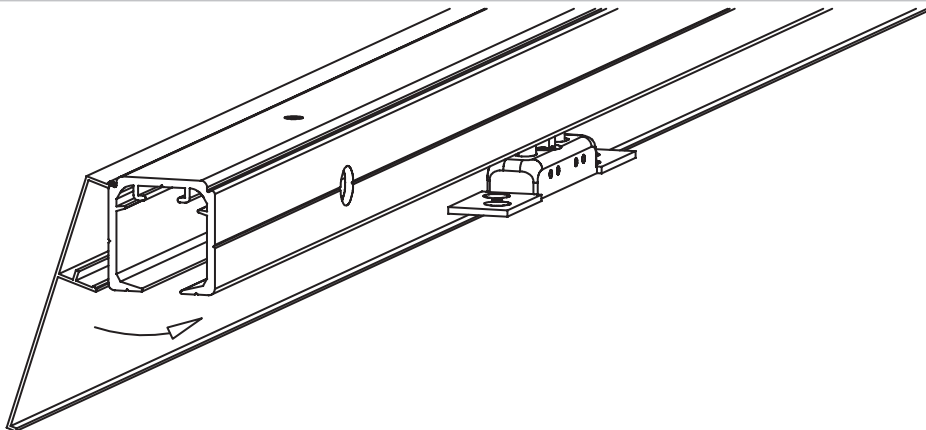
## Sliding Wooden Door Track - Ceiling Mount Installation

### 1. Prepare the running track:

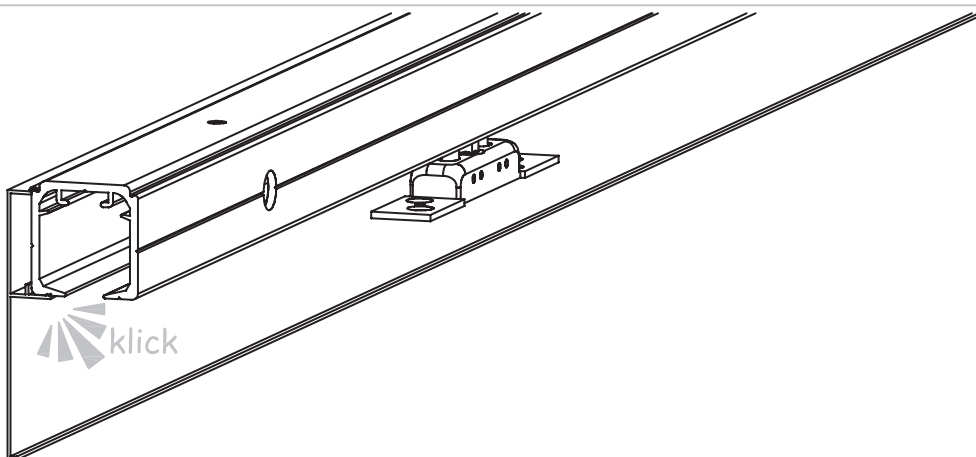
1.5



1.6

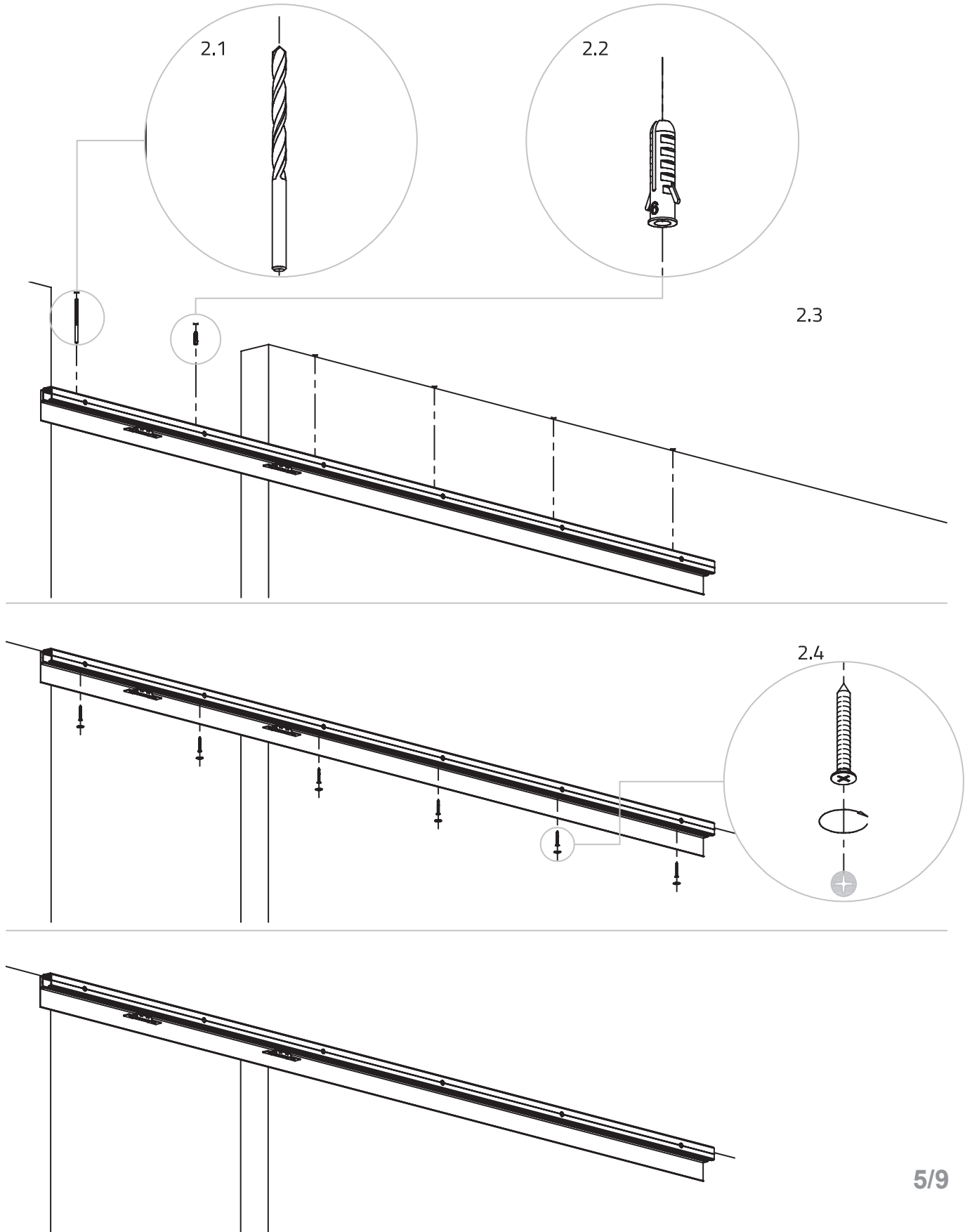


1.7



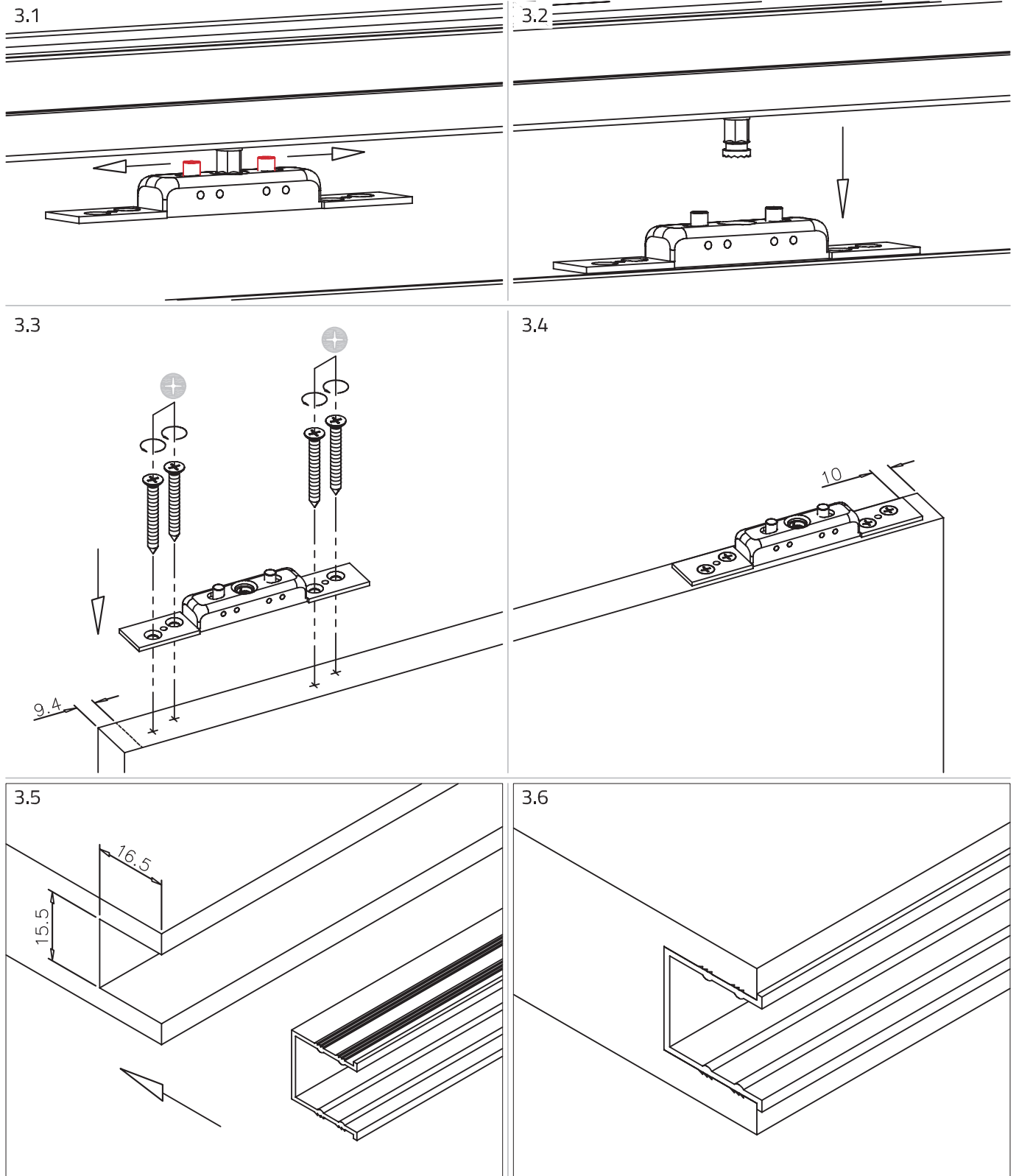
## Sliding Wooden Door Track - Ceiling Mount Installation

### 2. Running track:



## Sliding Wooden Door Track - Ceiling Mount Installation

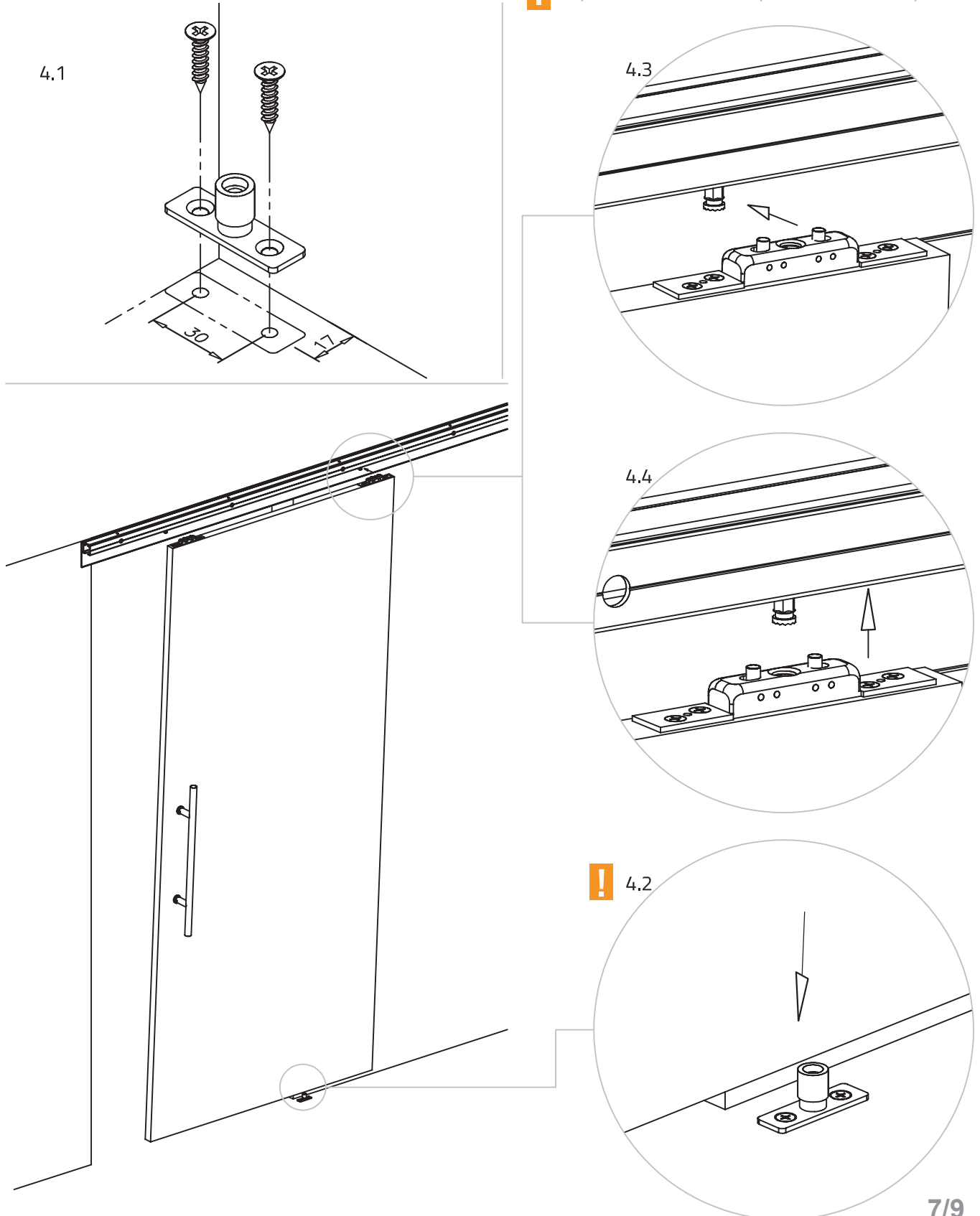
### 3. Prepare the door:



## Sliding Wooden Door Track - Ceiling Mount Installation

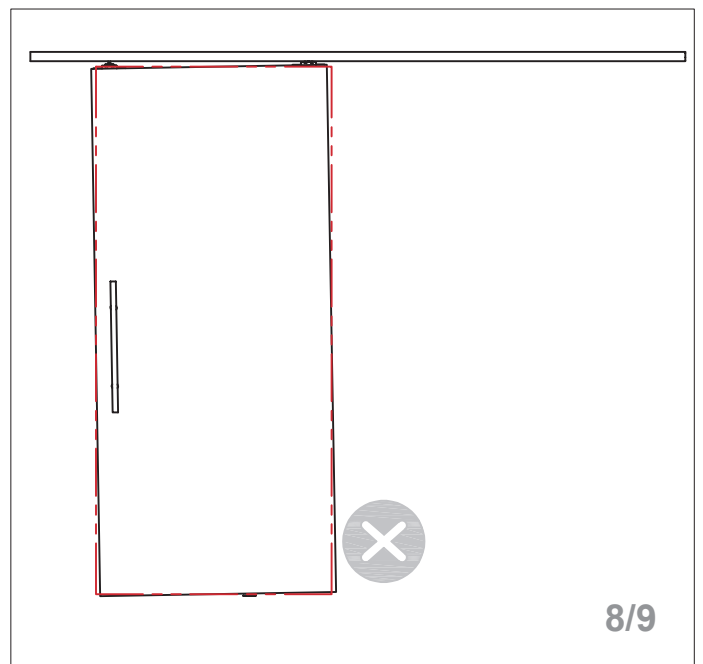
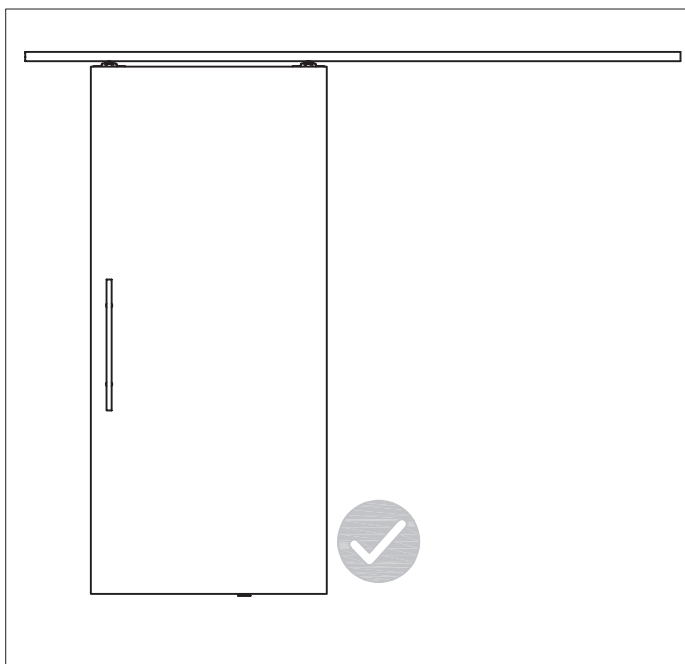
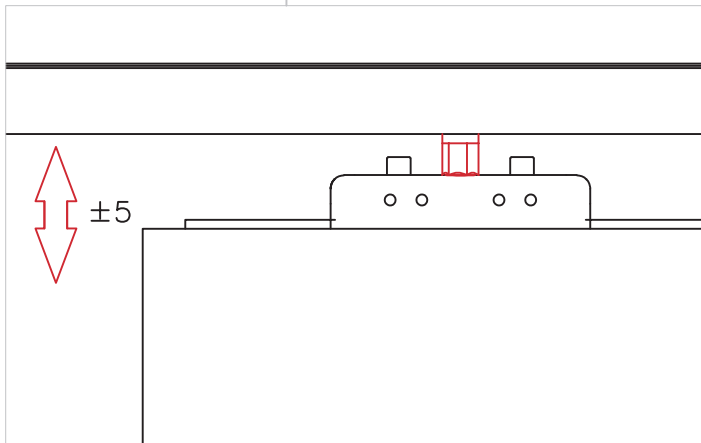
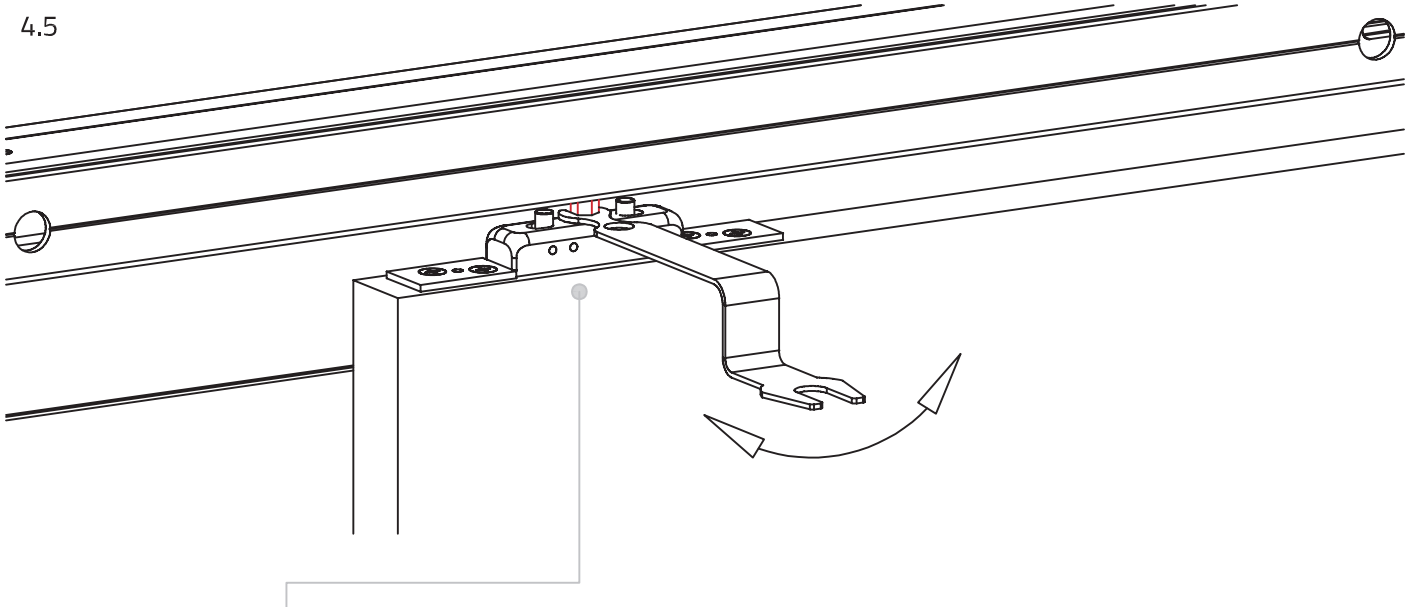
### 4. Door guide and door mounting:

**!** Pay attention to the sequence of assembly



## Sliding Wooden Door Track - Ceiling Mount Installation

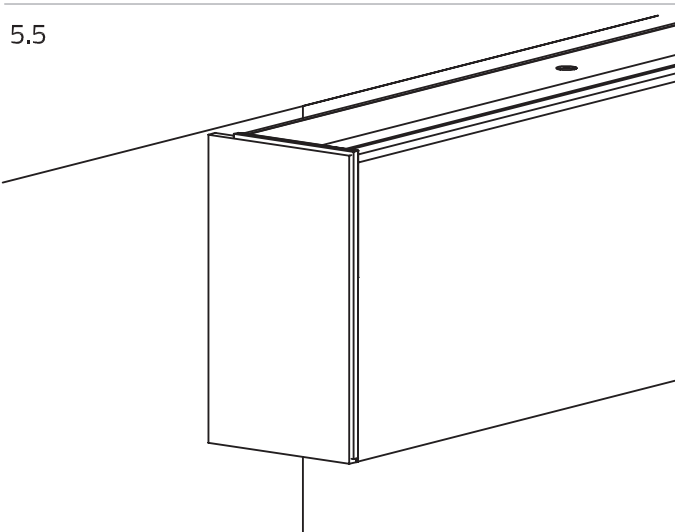
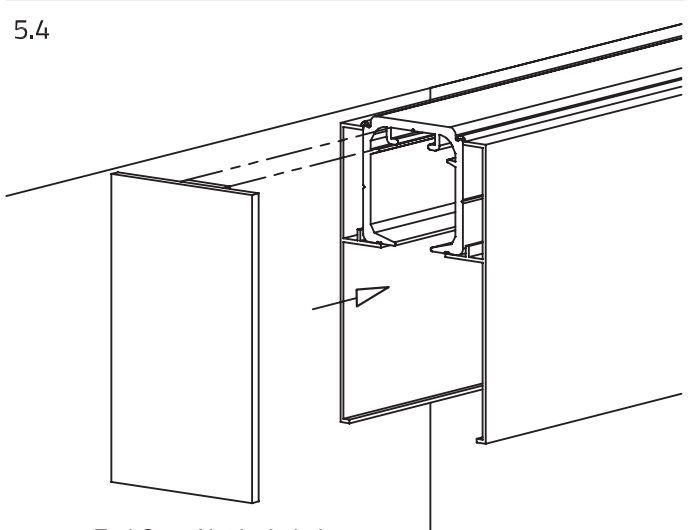
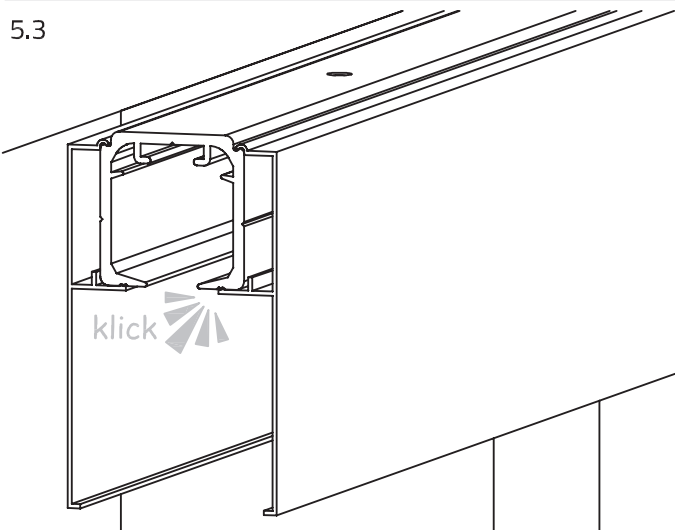
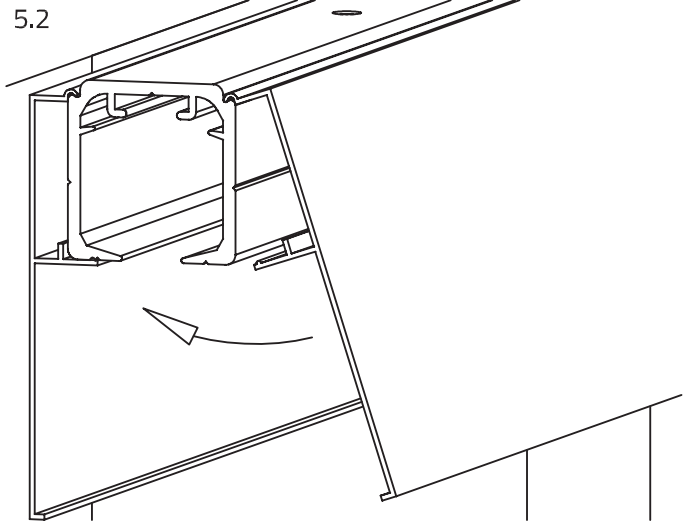
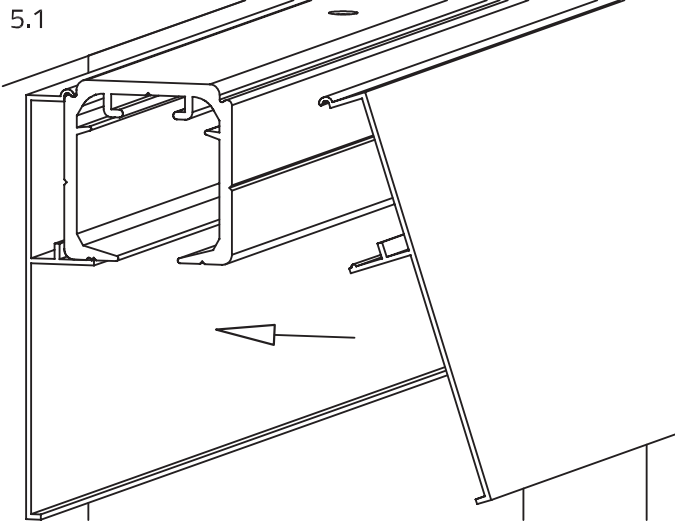
4.5





## Sliding Wooden Door Track - Ceiling Mount Installation

### 5. Mount cover profile and cover caps:



End Caps Not Included:

Optional End Caps:  
1x 46.2011.000.00