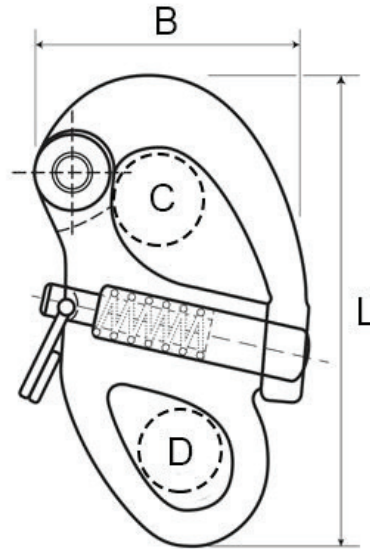


Snap Shackle - Fixed Eye



Code	L (mm)	B (mm)	C (mm)	D (mm)	Break Load (kg)
SSFE-090	35	23	9	6	110
SSFE-110	45	29	10	8	480
SSFE-120	52	35	12	9	630
SSFE-200	66	45	16	12	880
SSFE-270	96	60	22	16	1630

A note about dimensional information

Please be aware that dimensions published on our site should be treated as indicative.

We publish dimensions to the best of our ability, however manufacturers can, from time to time, make small alterations to their designs.

If your dimensional criteria is critical please do contact us prior to making your purchase to let us know and we will do our best to fulfil your requirements.