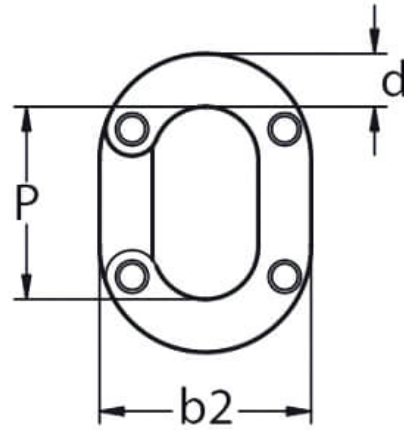


Split Connecting Chain Link - Stainless Steel



Code	Chain (mm)	b2 (mm)	P (mm)	d (mm)	Break Load (kg)
CLS-050	5	19	17.5	5	1200
CLS-060	6	24	21	6	2100
CLS-080	8	28	24	8	3000
CLS-100	10	34	29	10	4600

A note about dimensional information

Please be aware that dimensions published on our site should be treated as indicative.

We publish dimensions to the best of our ability, however manufacturers can, from time to time, make small alterations to their designs.

If your dimensional criteria is critical please do contact us prior to making your purchase to let us know and we will do our best to fulfil your requirements.