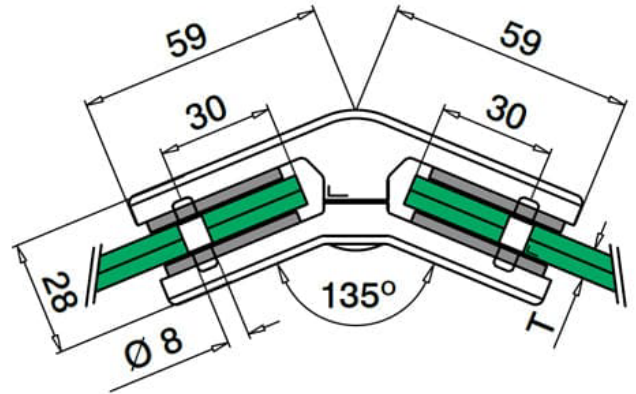


## Square Glass Clamp - 135 Degree Connector 6mm to 12.76mm Glass

Fixed angle connector in 316 grade stainless steel.

Supplied with size specific rubber insert for glass infill



Mono Glass Thickness:  
6mm, 8mm, 10mm and 12mm

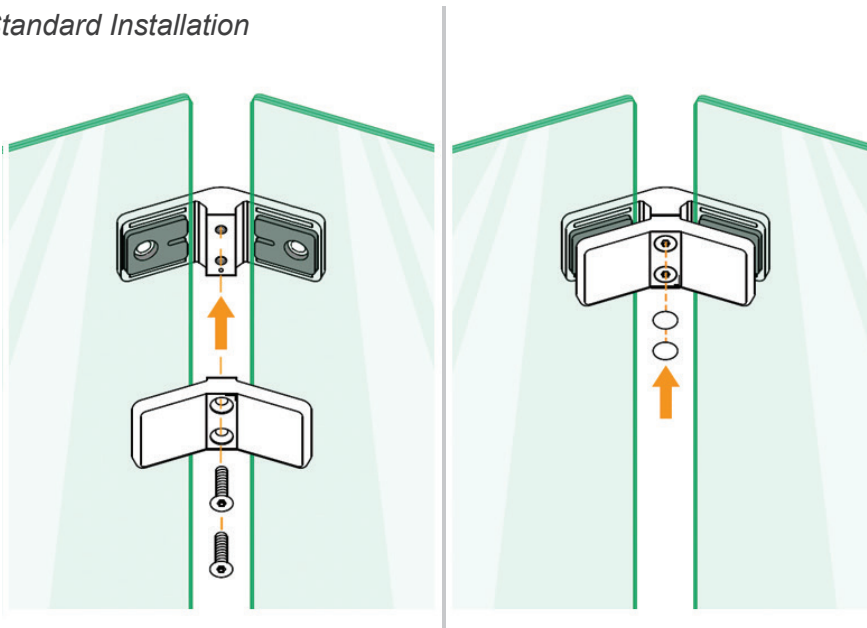
Laminated Glass Thickness:  
6.76mm, 8.38mm, 8.76mm, 9.52mm,  
10.76mm, 11.52mm and 12.76mm

**Note:** Glass clamps are supplied without security pins.

Glass panels will be held securely in place with the mounting rubbers supplied. We would only recommend the use of Security Pins (19.5015.022.00) if the glass has a large void underneath.

Glass will require 10mm holes drilling at manufacture stage to accept security pins.

### Standard Installation



### Security Pin Installation

