

Installation Advice for Square Handrail

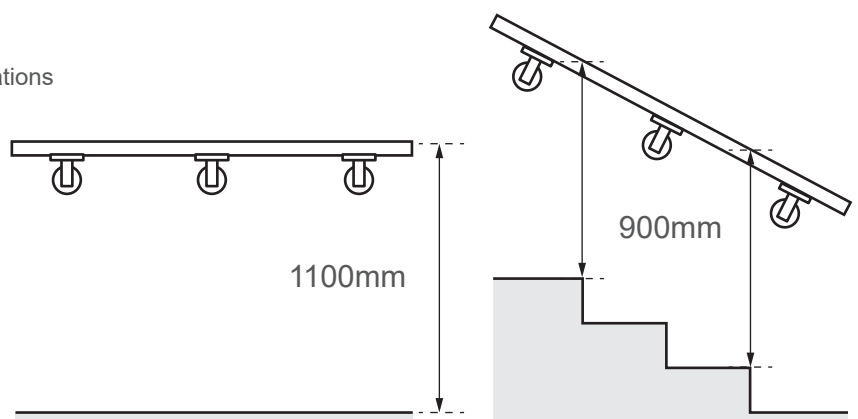
Square Handrail with Angle Plate Bracket - Mod 4111

For a straight forward installation you will require a few household tools:

- Pencil
- Tape Measure
- Spirit Level
- Drill
- Spanner / Wrench
- Rawl / Wall Plugs

Handrail Positioning

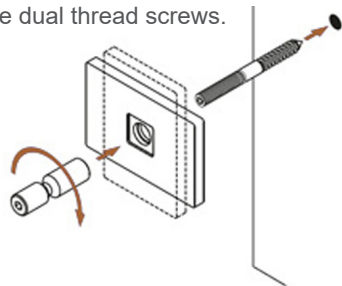
Recommended height of 1100mm on flat installations and 900mm on stairways.



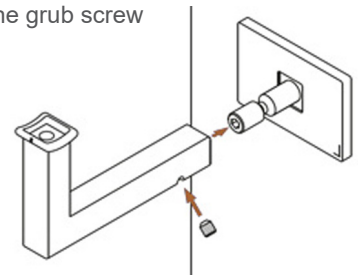
Installation

First we recommend that you mark out the bracket positions in pencil onto the intended fixing surface, using a tape measure and spirit level.

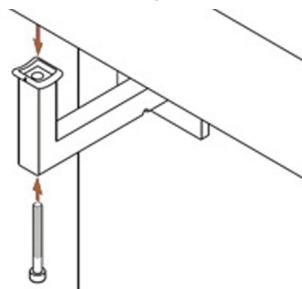
- 1** Dismantle your bracket by releasing the grub screw on the underside of the stem. Drill pilot holes and insert your rawl/wall plugs and fix handrail bracket mounting plate in place using the dual thread screws.



- 2** Slide the bracket stem onto the mounting plate and secure in place with the grub screw using a hex head key.



- 3** Position handrail in place and secure using the screws provided.



- 4** Once handrail is secure, check to ensure you have no movement before use.

