

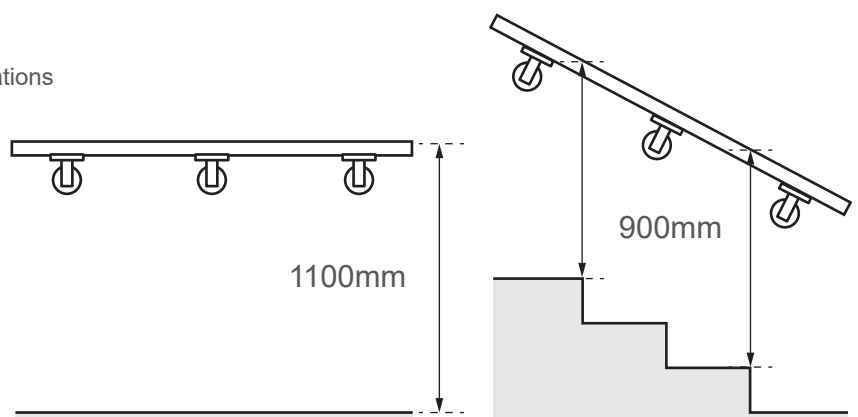
Installation Advice for Square Handrail Square Handrail with Angle Plate Bracket - Mod 4145

For a straight forward installation you will require a few household tools:

Pencil
Tape Measure
Spirit Level
Drill
Spanner / Wrench
Rawl / Wall Plugs

Handrail Positioning

Recommended height of 1100mm on flat installations and 900mm on stairways.



Installation

First we recommend that you mark out the bracket positions in pencil onto the intended fixing surface, using a tape measure and spirit level.

- 1 Dismantle your bracket by releasing the grub screw on the underside of the stem.

Drill pilot holes and insert your rawl/wall plugs and fix handrail bracket mounting plate in place.

Slide the bracket stem onto the mounting plate and secure with the grub screw using a hex head key.

Position handrail in place and secure using the screws provided.

- 2 Height adjustment is made by the grub screw on the underside of the bracket stem.

